

SYSTEM WIRING DIAGRAMS

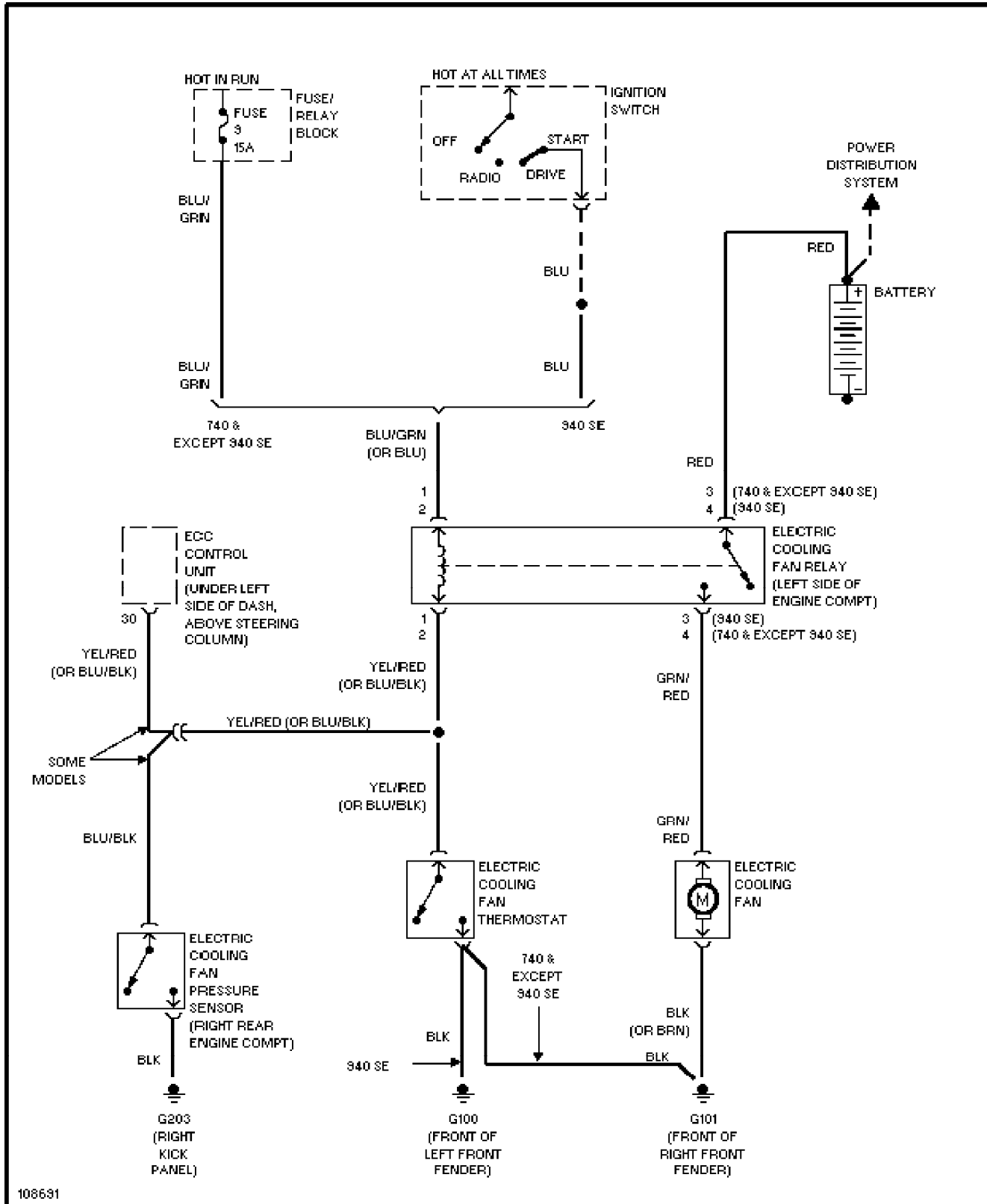
Cooling Fan Circuit

1991 Volvo 940

For x

Copyright © 1998 Mitchell Repair Information Company, LLC

Friday, July 23, 2004 10:17PM



SYSTEM WIRING DIAGRAMS

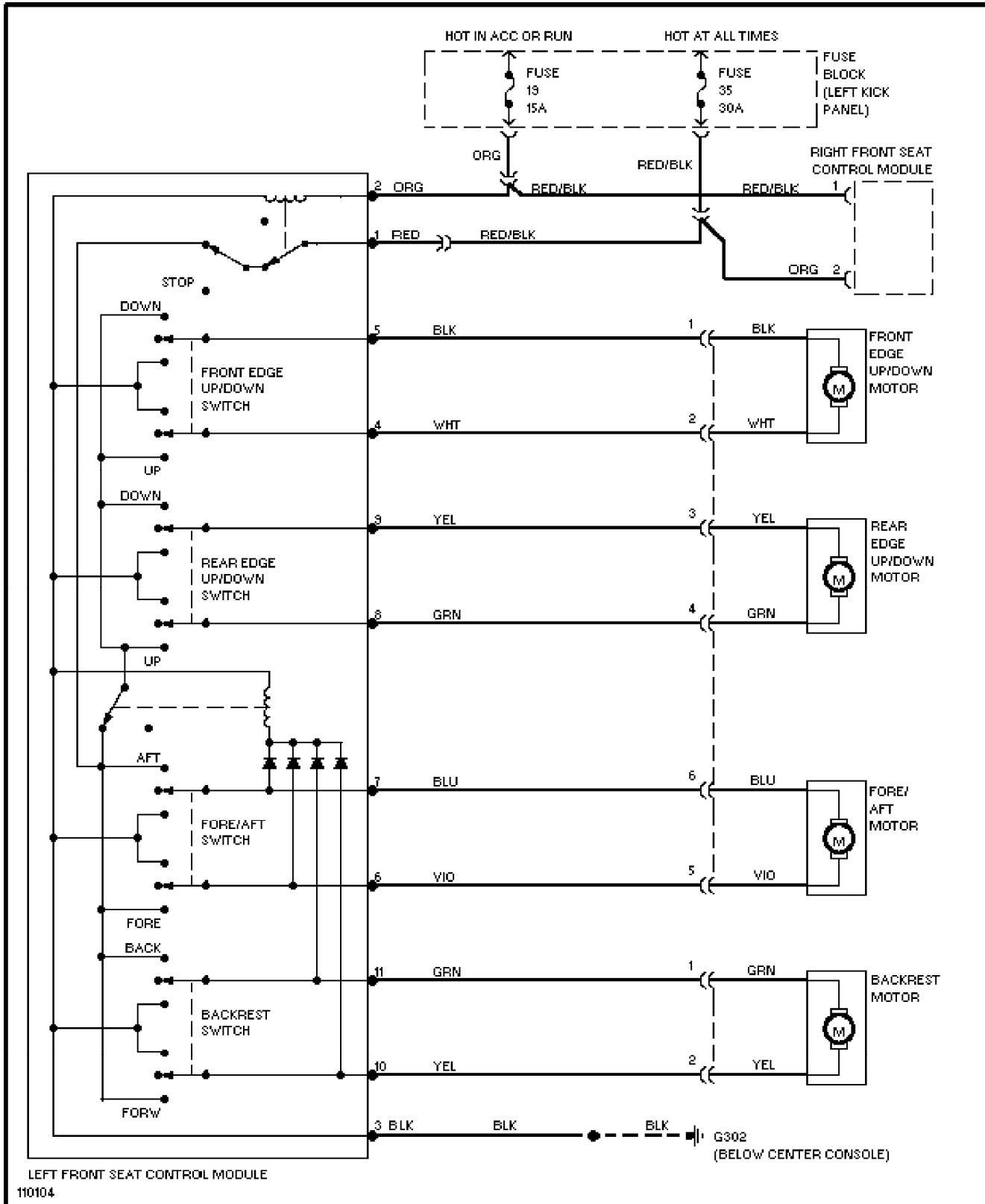
Power Seats Circuit, SE

1991 Volvo 940

For x

Copyright © 1998 Mitchell Repair Information Company, LLC

Friday, July 23, 2004 10:18PM



SYSTEM WIRING DIAGRAMS

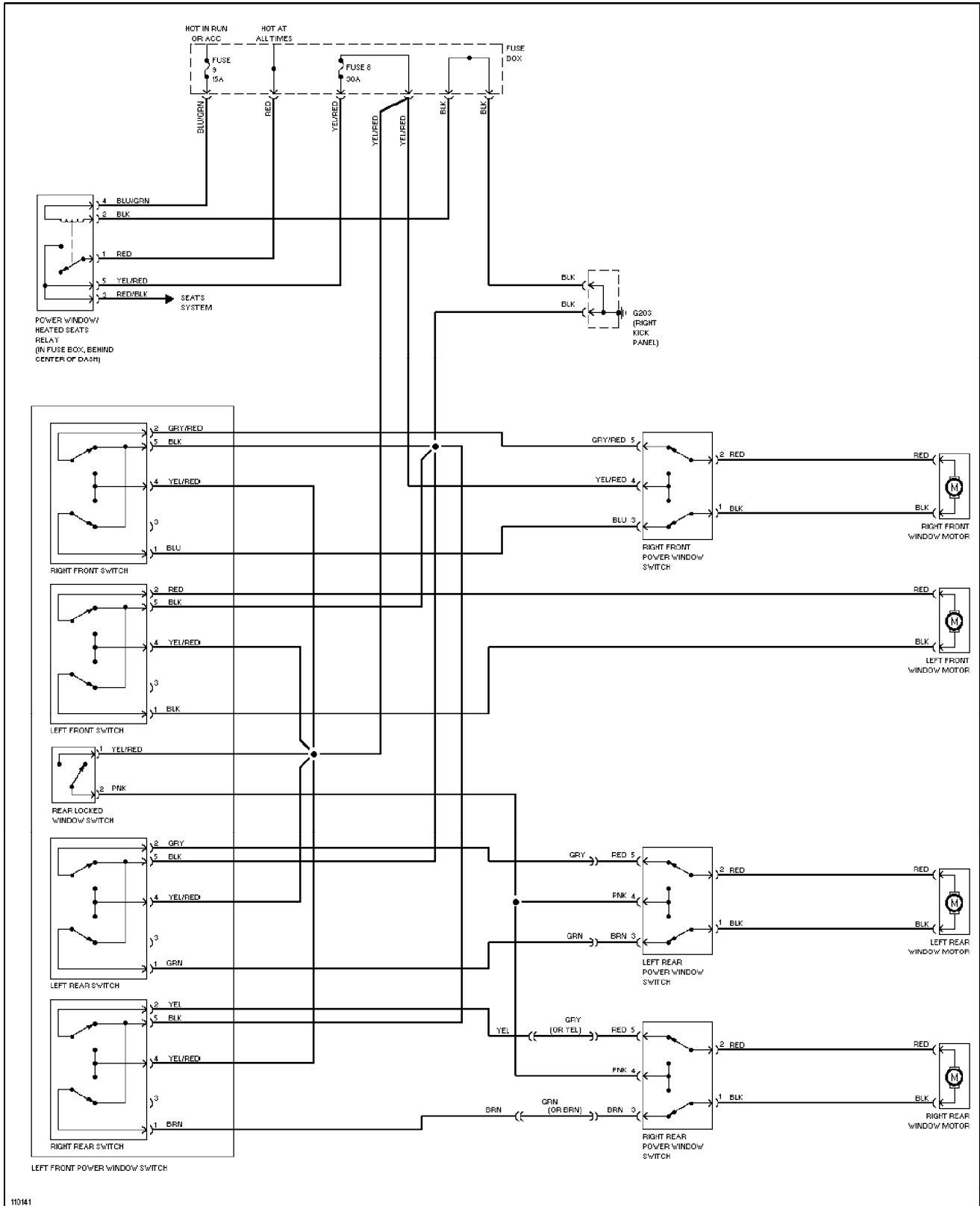
Power Window Circuit, Except SE

1991 Volvo 940

For x

Copyright © 1998 Mitchell Repair Information Company, LLC

Friday, July 23, 2004 10:18PM



SYSTEM WIRING DIAGRAMS

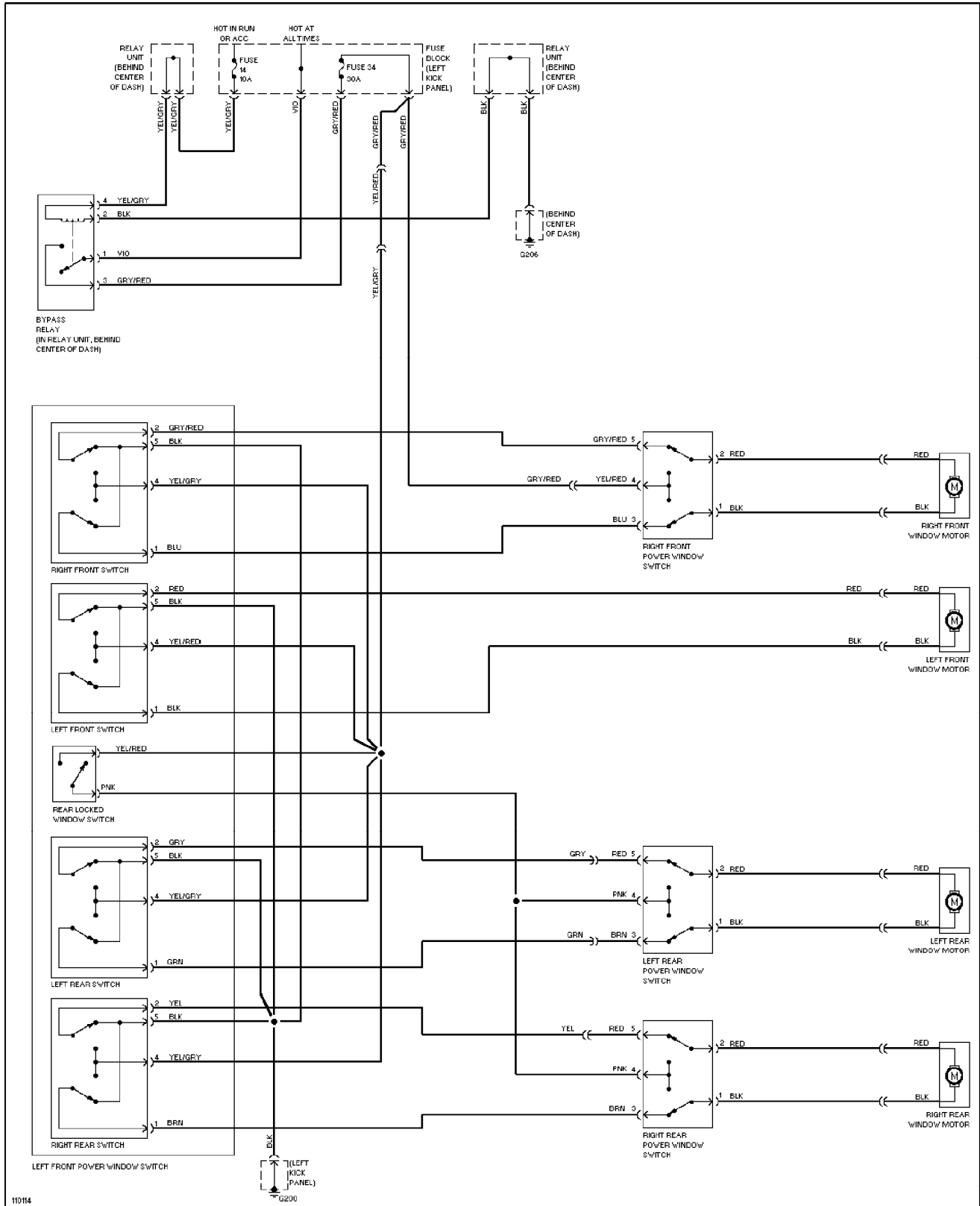
Power Window Circuit, SE

1991 Volvo 940

For x

Copyright © 1998 Mitchell Repair Information Company, LLC

Friday, July 23, 2004 10:18PM



SYSTEM WIRING DIAGRAMS

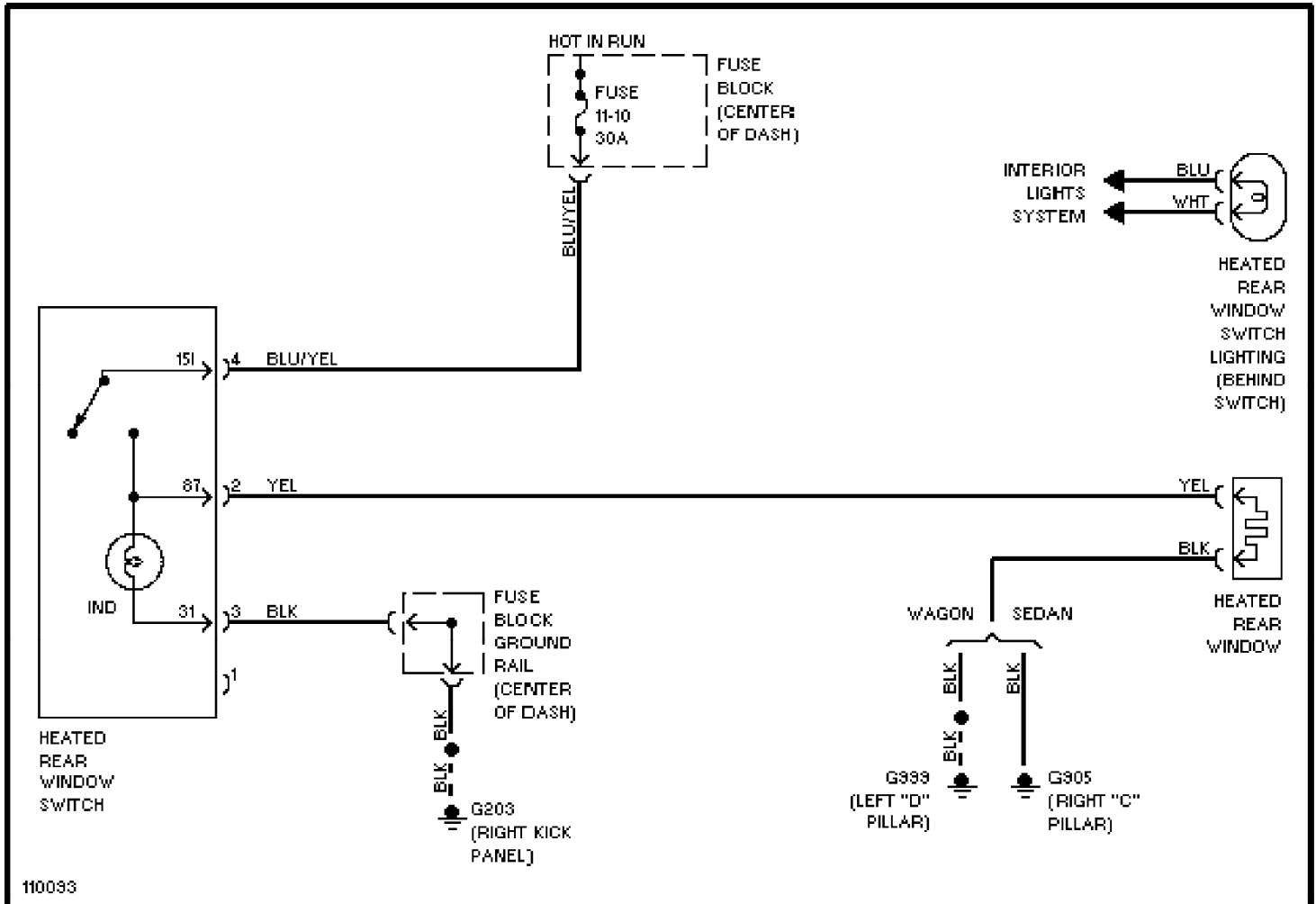
Defogger Circuit, Except SE

1991 Volvo 940

For x

Copyright © 1998 Mitchell Repair Information Company, LLC

Friday, July 23, 2004 10:17PM



SYSTEM WIRING DIAGRAMS

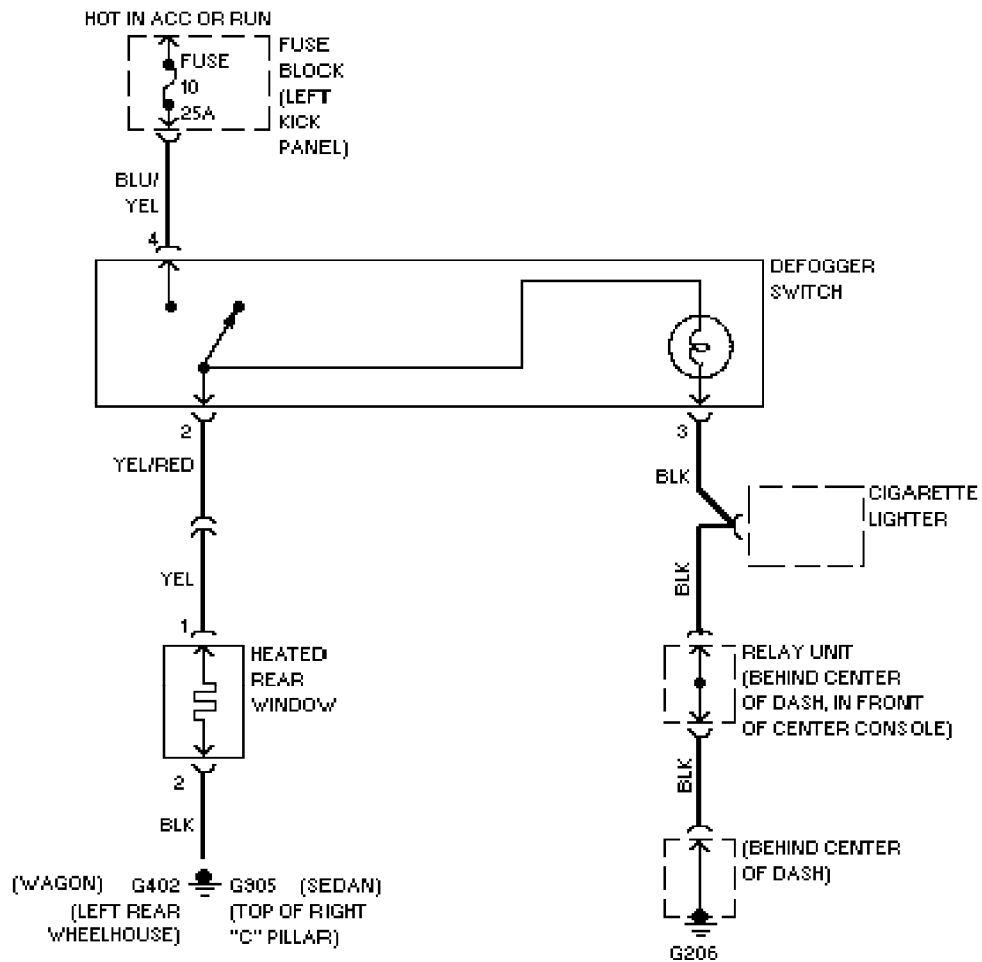
Defogger Circuit, SE

1991 Volvo 940

For x

Copyright © 1998 Mitchell Repair Information Company, LLC

Friday, July 23, 2004 10:18PM



SYSTEM WIRING DIAGRAMS

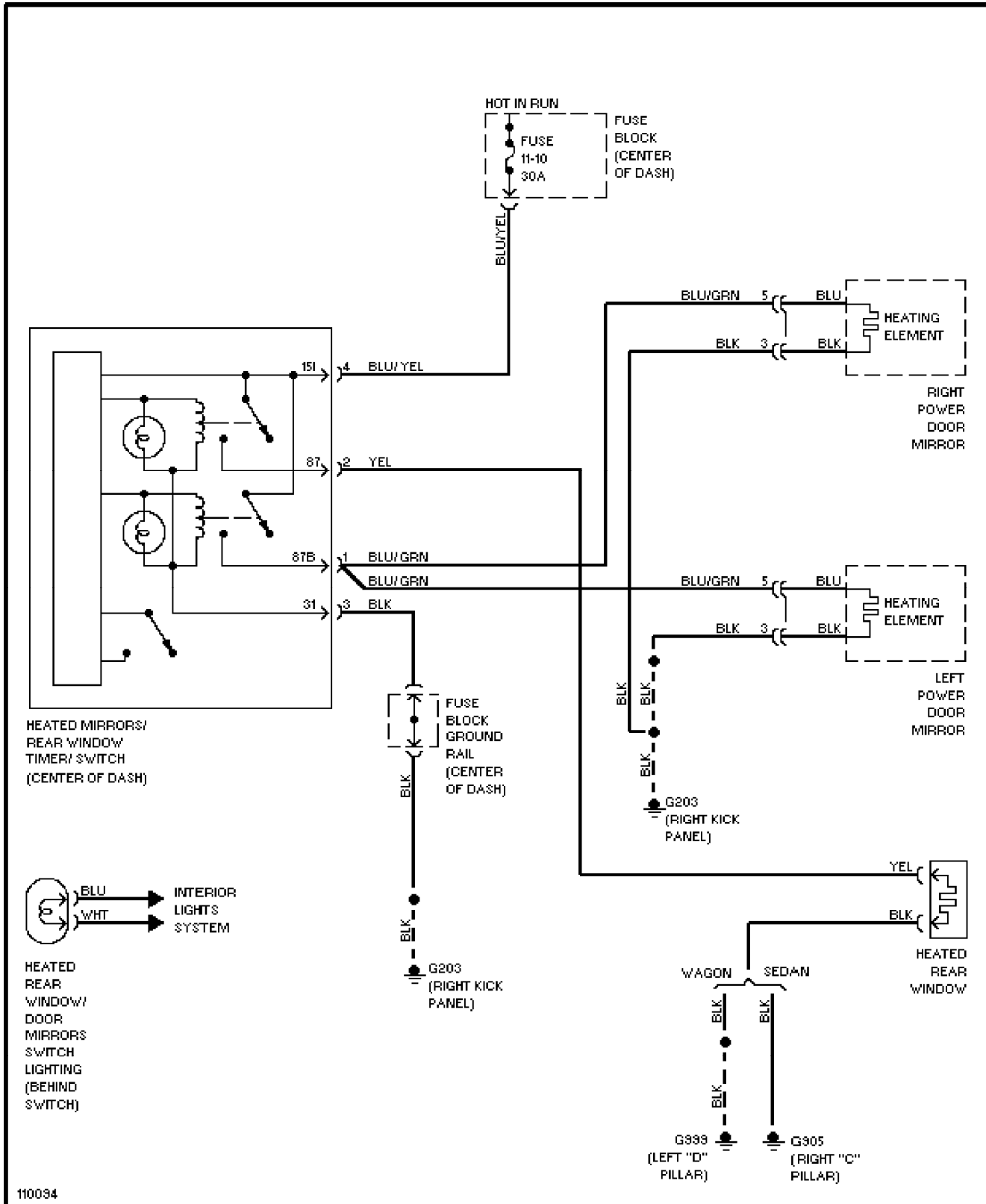
Rear Defogger & Heated Mirrors Circuit, Except SE

1991 Volvo 940

For x

Copyright © 1998 Mitchell Repair Information Company, LLC

Friday, July 23, 2004 10:18PM



SYSTEM WIRING DIAGRAMS

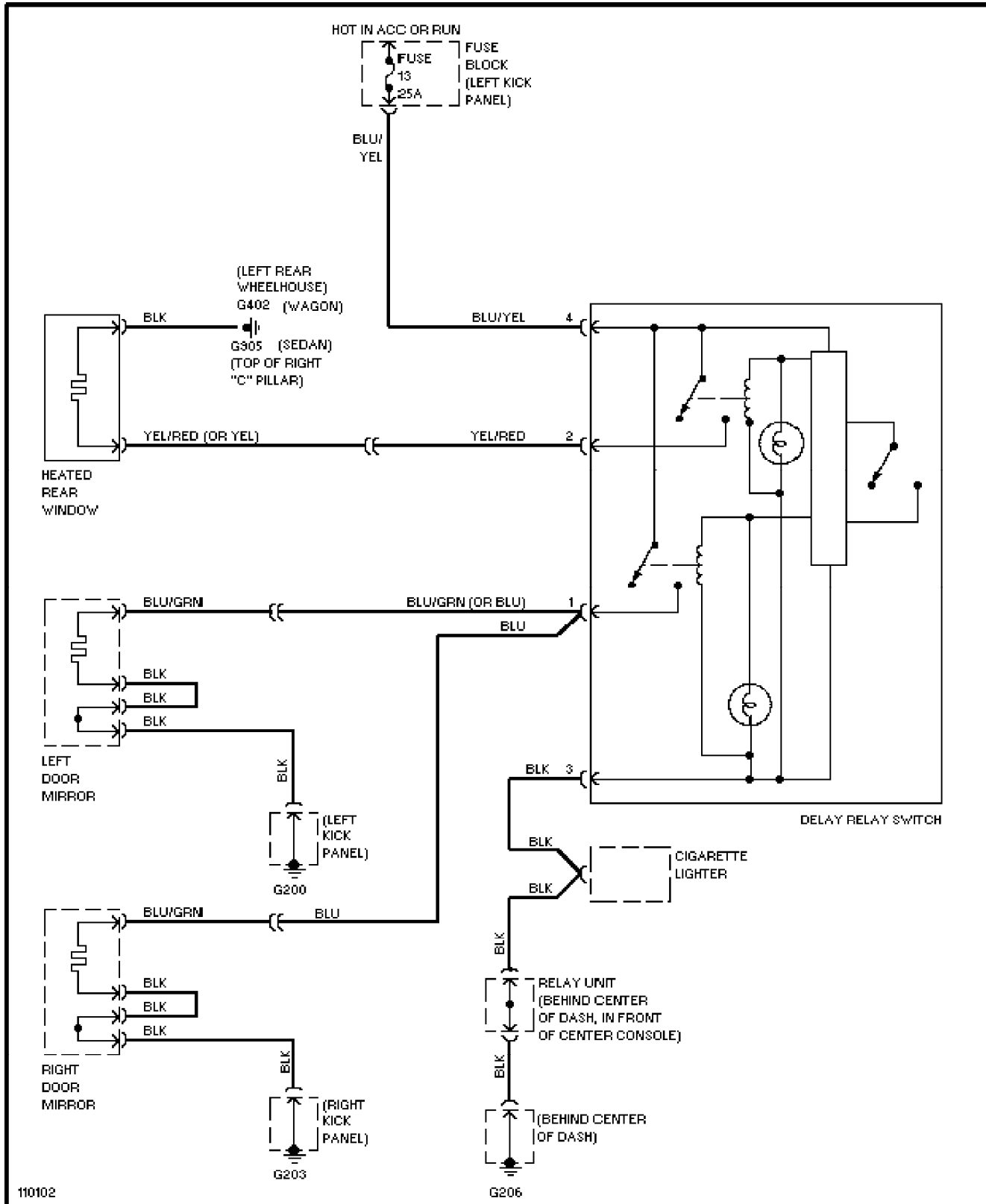
Rear Defogger & Heated Mirrors Circuit, SE

1991 Volvo 940

For x

Copyright © 1998 Mitchell Repair Information Company, LLC

Friday, July 23, 2004 10:18PM



SYSTEM WIRING DIAGRAMS

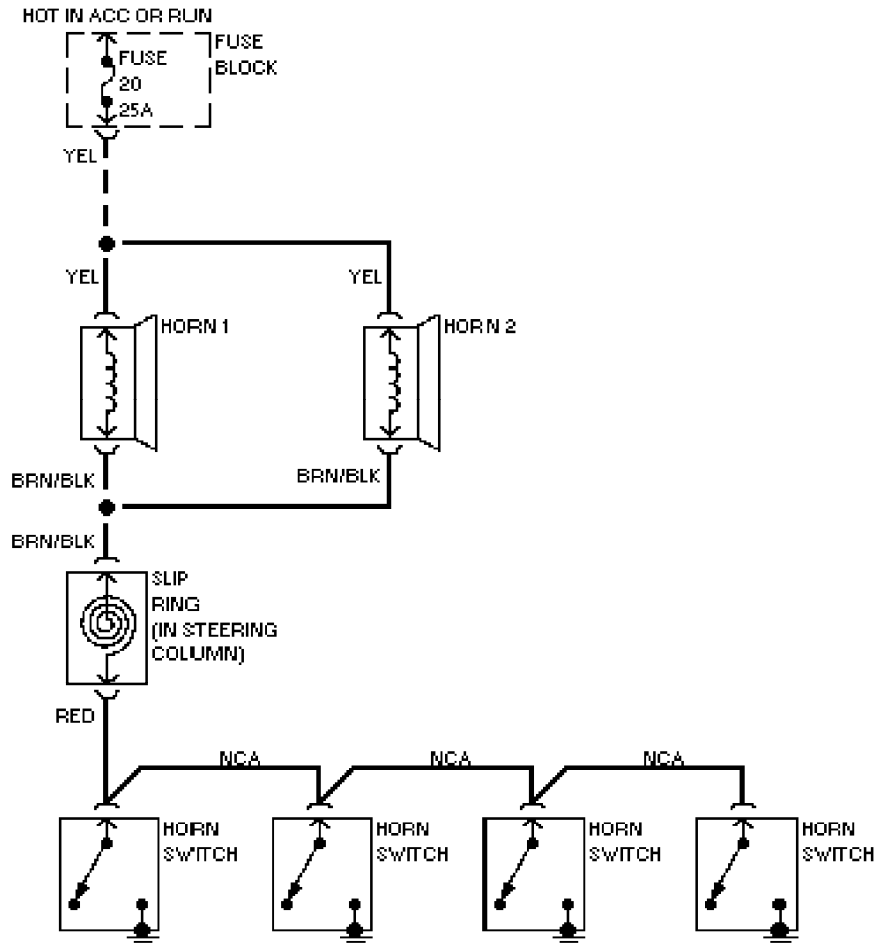
Horn Circuit, 940SE

1991 Volvo 940

For x

Copyright © 1998 Mitchell Repair Information Company, LLC

Friday, July 23, 2004 10:18PM



SYSTEM WIRING DIAGRAMS

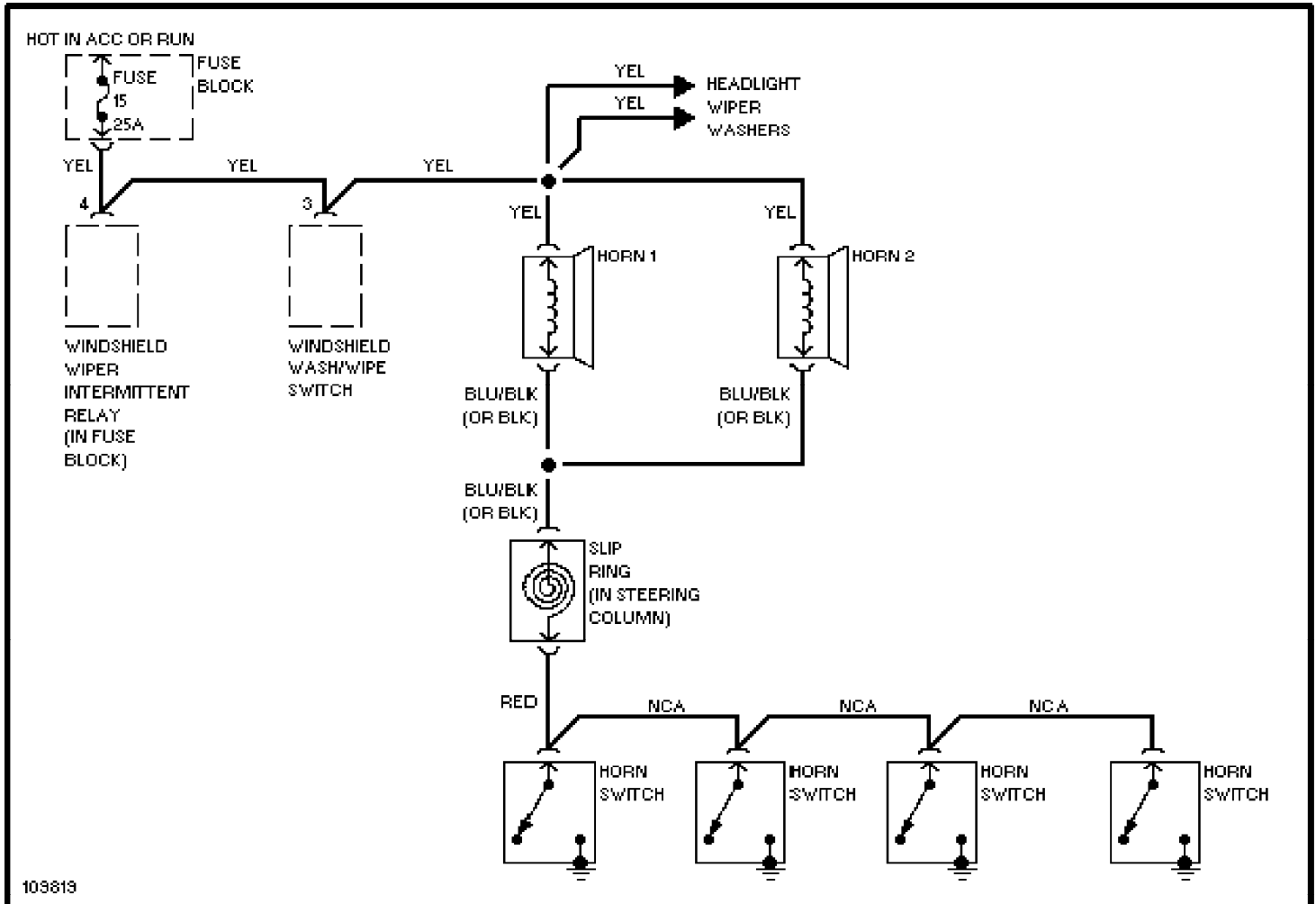
Horn Circuit, Except 940SE

1991 Volvo 940

For x

Copyright © 1998 Mitchell Repair Information Company, LLC

Friday, July 23, 2004 10:18PM



SYSTEM WIRING DIAGRAMS

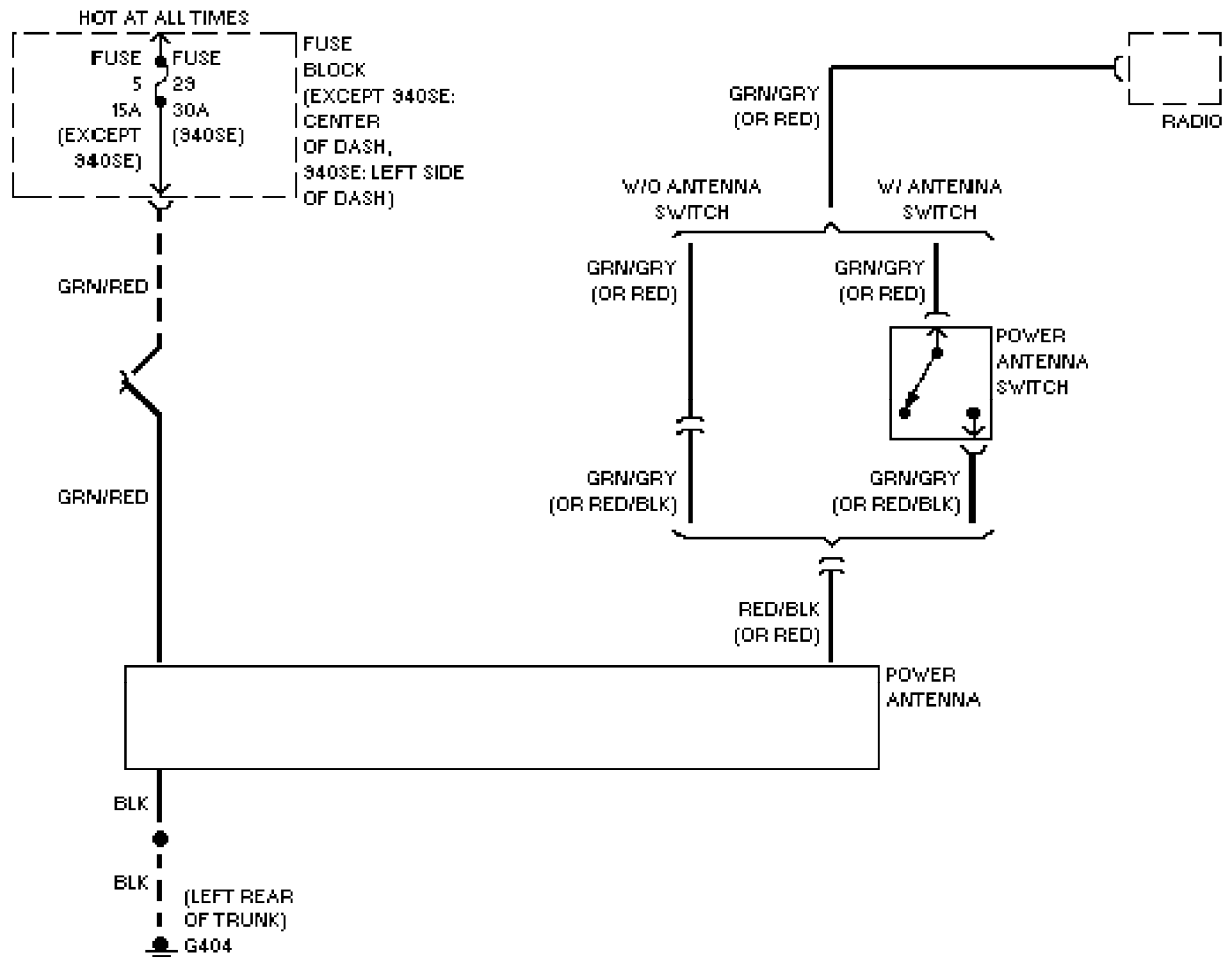
Power Antenna Circuit

1991 Volvo 940

For x

Copyright © 1998 Mitchell Repair Information Company, LLC

Friday, July 23, 2004 10:18PM



SYSTEM WIRING DIAGRAMS

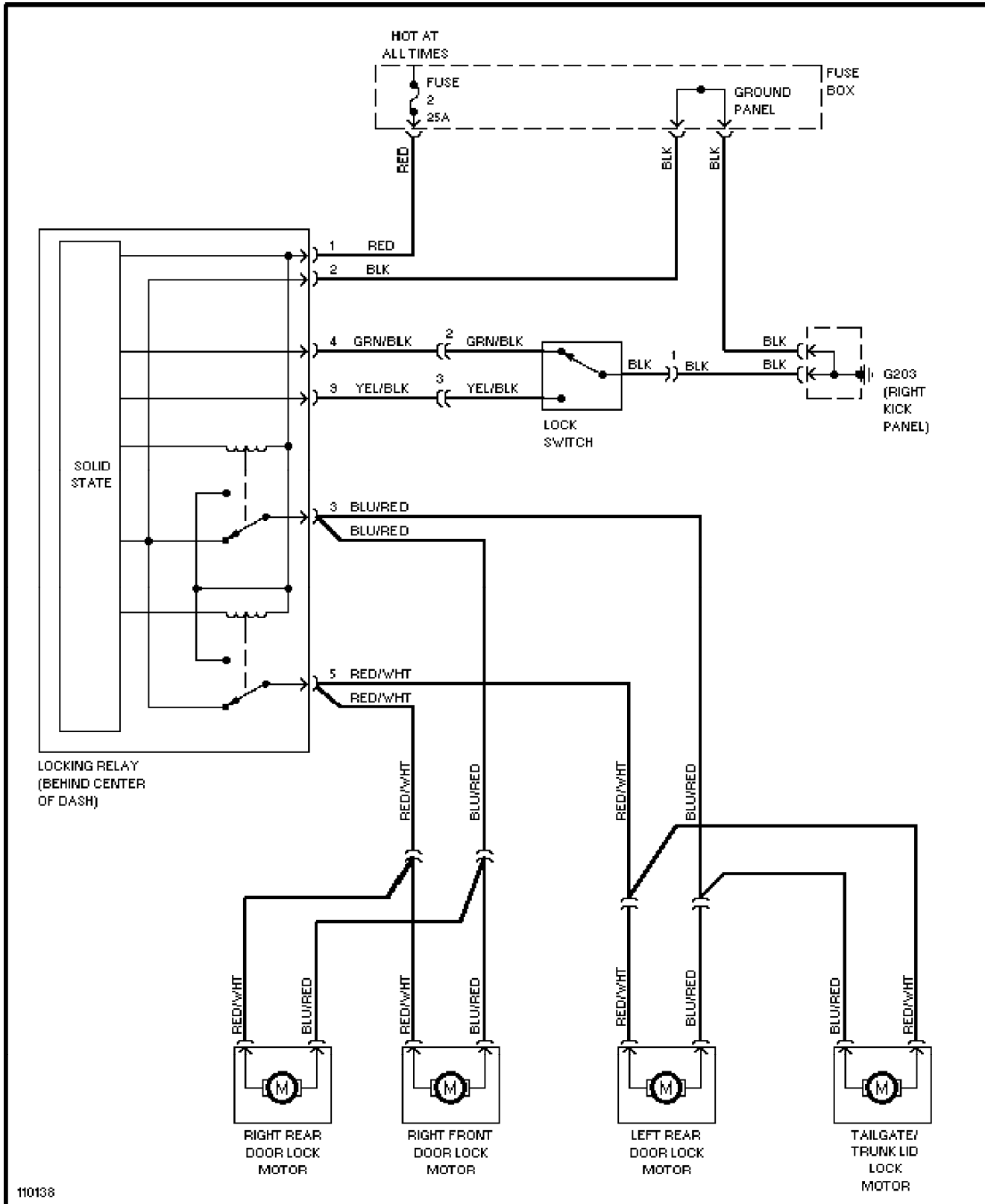
Power Door Lock Circuit, Except SE

1991 Volvo 940

For x

Copyright © 1998 Mitchell Repair Information Company, LLC

Friday, July 23, 2004 10:18PM



SYSTEM WIRING DIAGRAMS

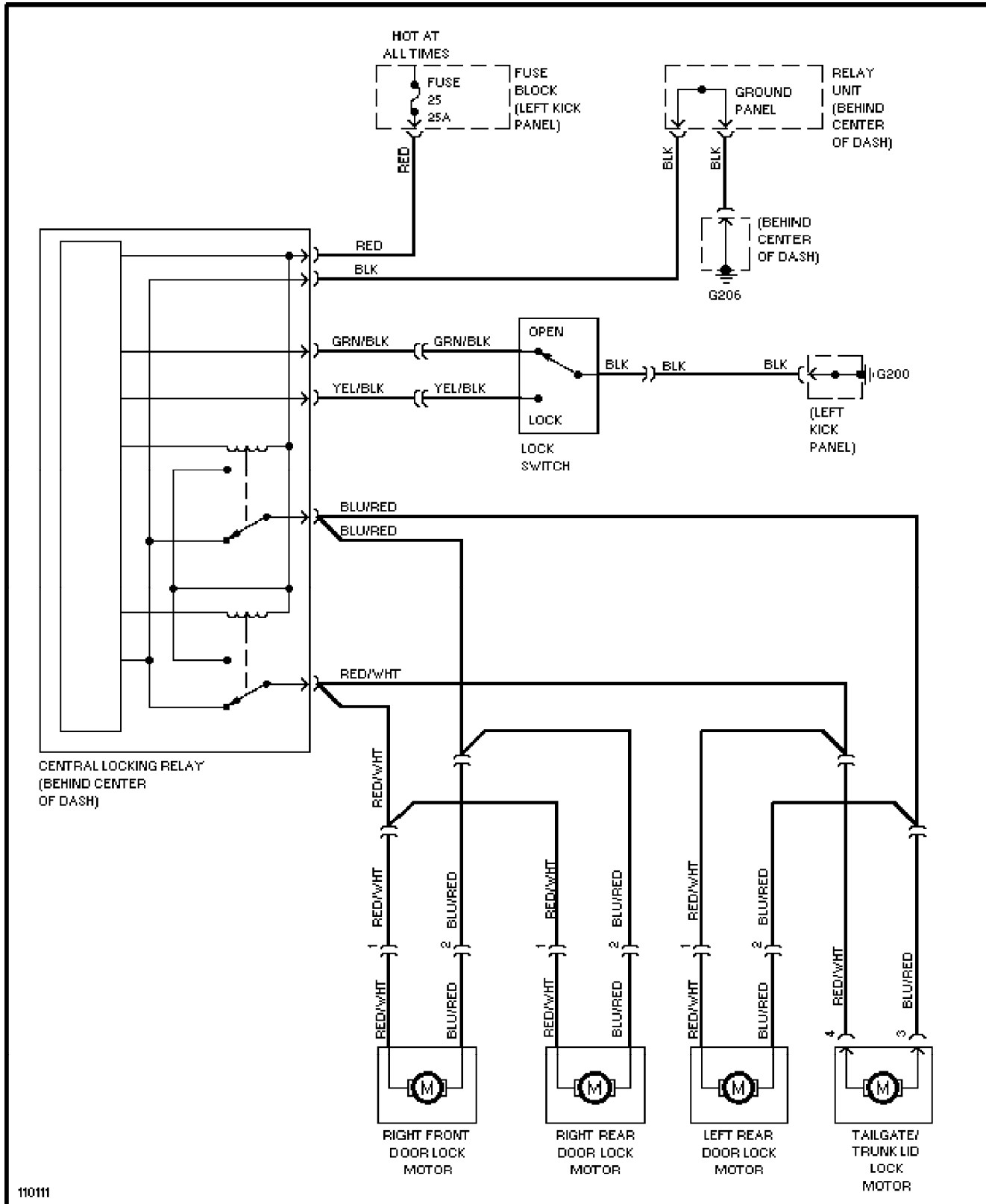
Power Door Lock Circuit, SE

1991 Volvo 940

For x

Copyright © 1998 Mitchell Repair Information Company, LLC

Friday, July 23, 2004 10:18PM



SYSTEM WIRING DIAGRAMS

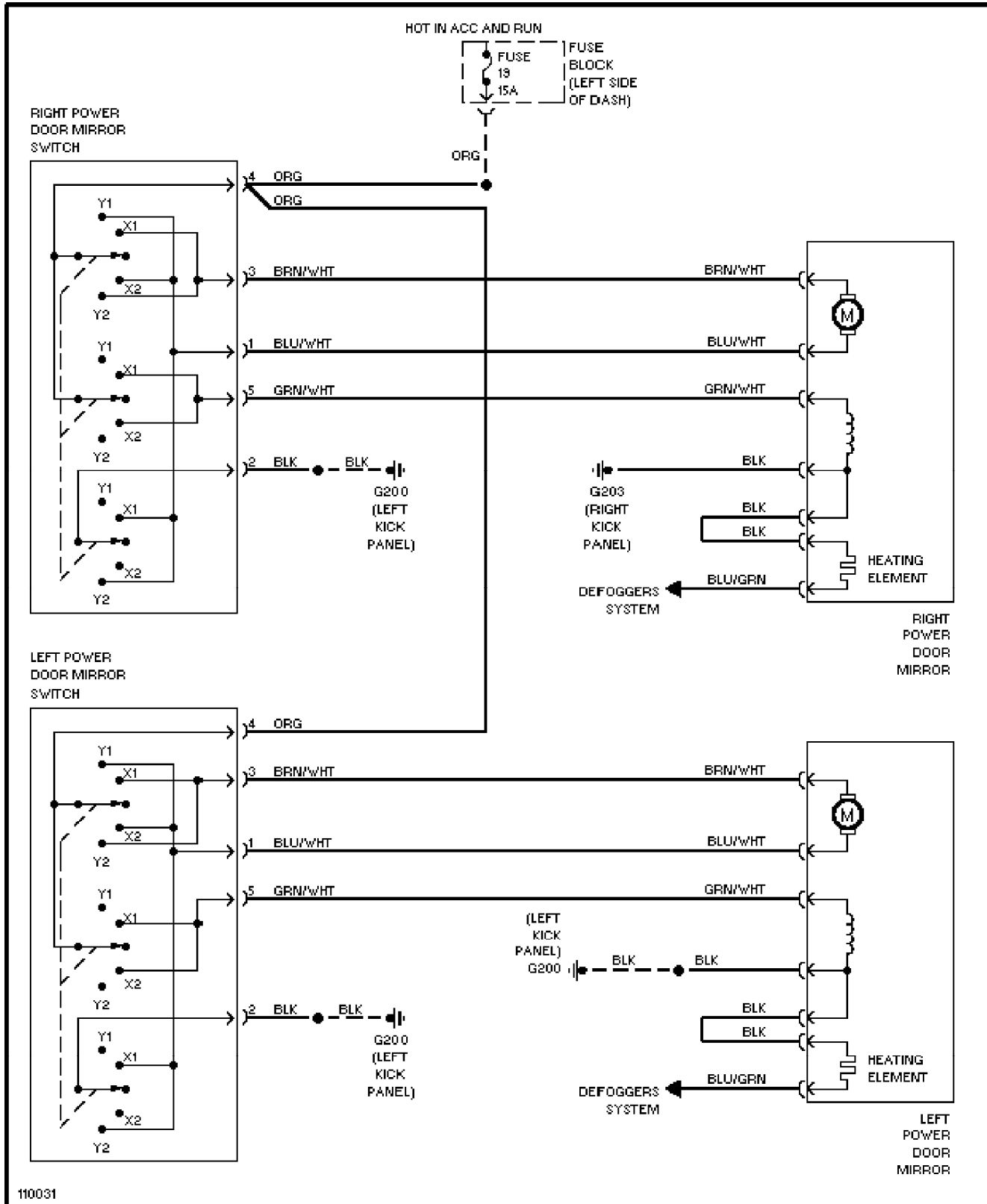
Power Mirror Circuit, 940SE

1991 Volvo 940

For x

Copyright © 1998 Mitchell Repair Information Company, LLC

Friday, July 23, 2004 10:18PM



SYSTEM WIRING DIAGRAMS

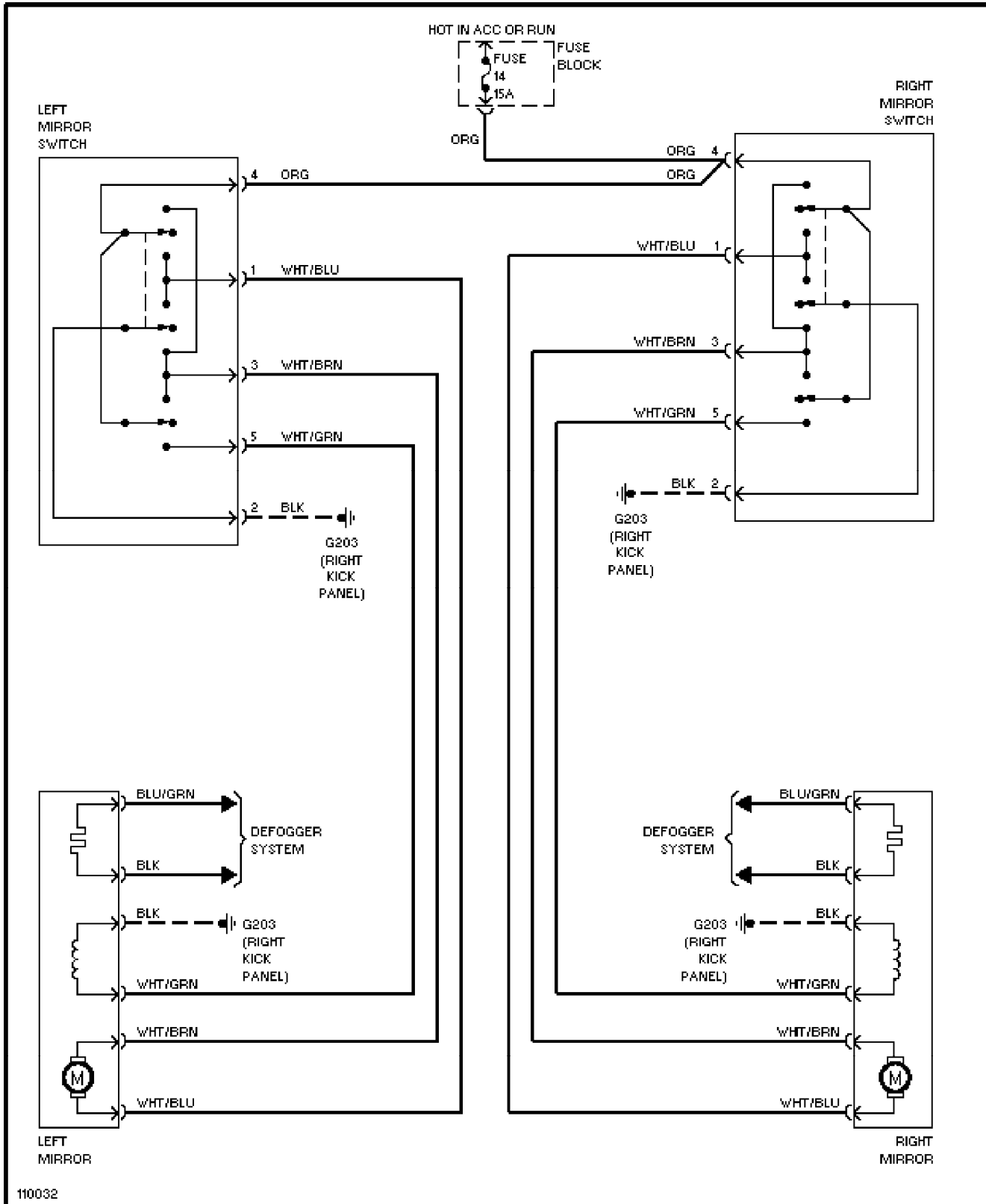
Power Mirror Circuit, Except 940SE

1991 Volvo 940

For x

Copyright © 1998 Mitchell Repair Information Company, LLC

Friday, July 23, 2004 10:18PM



SYSTEM WIRING DIAGRAMS

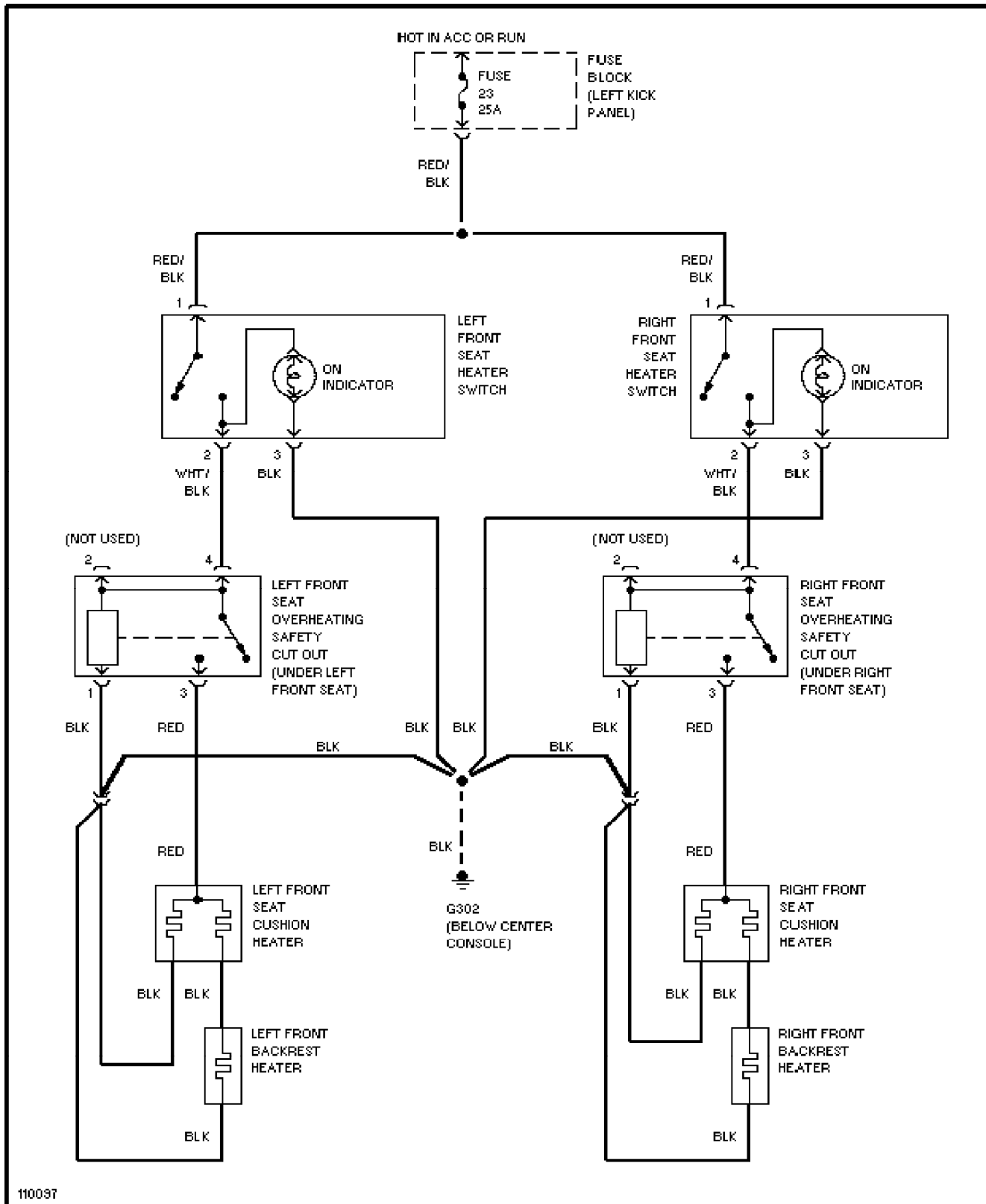
Heated Seats Circuit, Except SE High Output

1991 Volvo 940

For x

Copyright © 1998 Mitchell Repair Information Company, LLC

Friday, July 23, 2004 10:18PM



SYSTEM WIRING DIAGRAMS

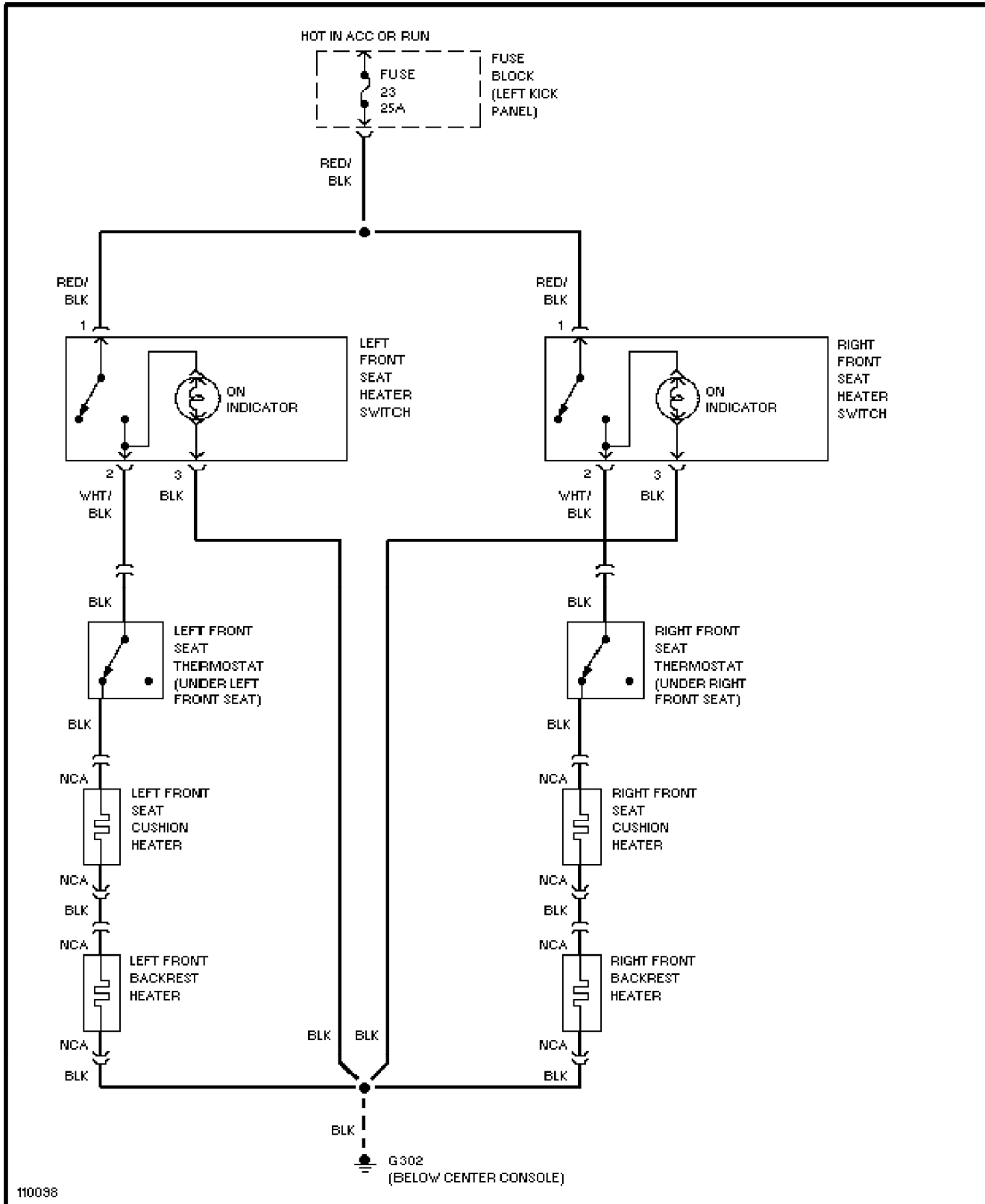
Heated Seats Circuit, Except SE Normal Output

1991 Volvo 940

For x

Copyright © 1998 Mitchell Repair Information Company, LLC

Friday, July 23, 2004 10:18PM



SYSTEM WIRING DIAGRAMS

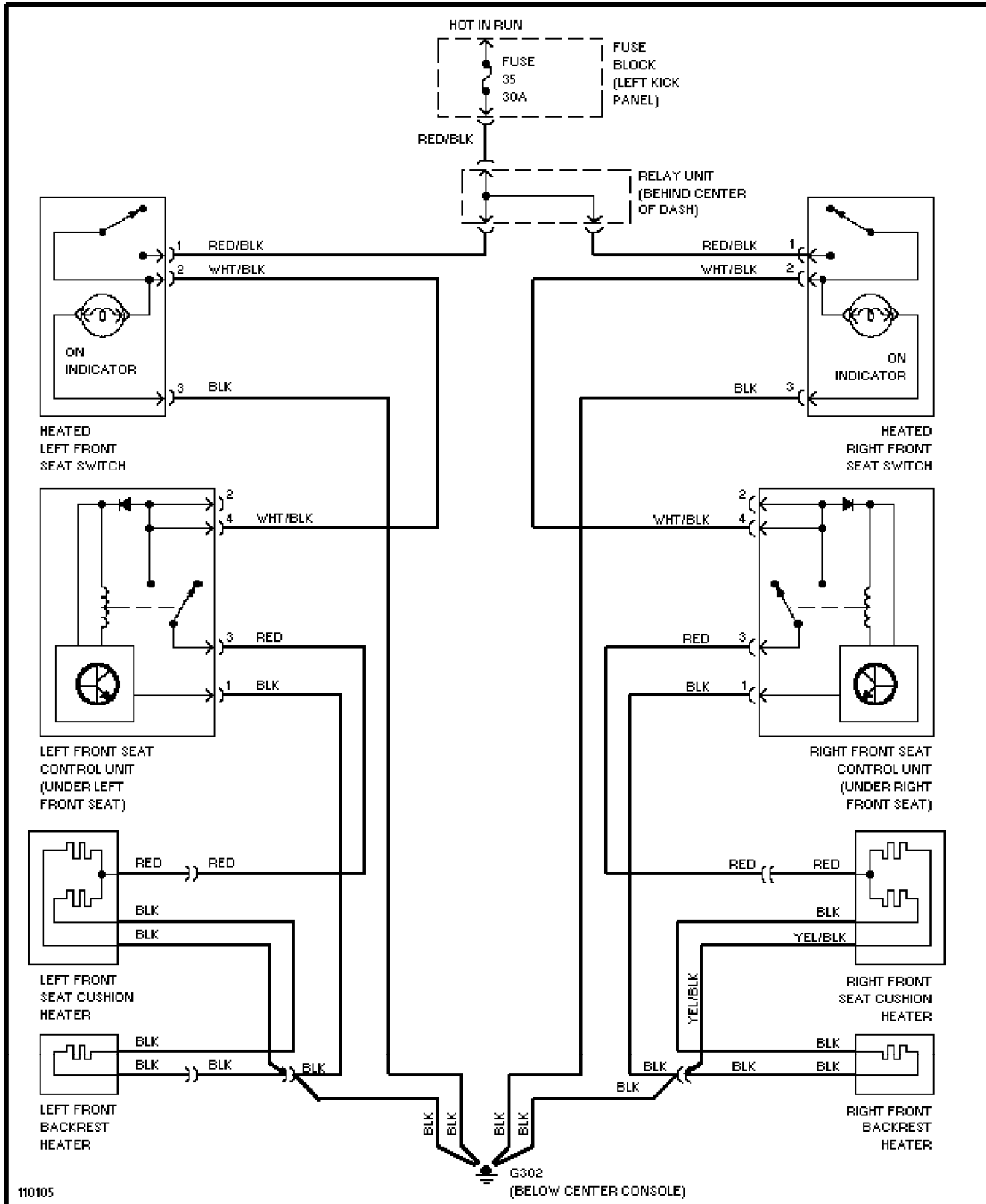
Heated Seats Circuit, SE

1991 Volvo 940

For x

Copyright © 1998 Mitchell Repair Information Company, LLC

Friday, July 23, 2004 10:18PM



SYSTEM WIRING DIAGRAMS

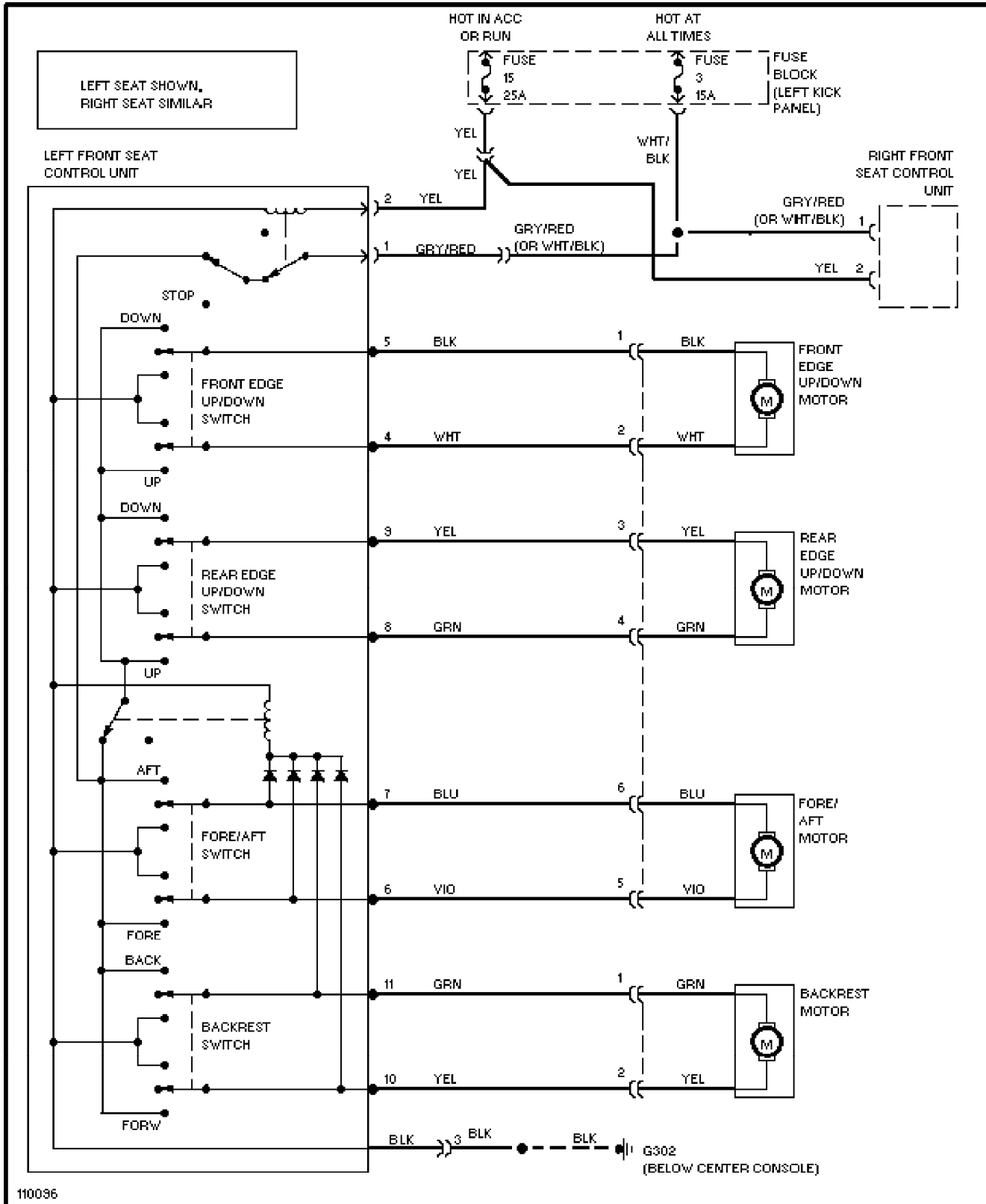
Power Seats Circuit, Except SE

1991 Volvo 940

For x

Copyright © 1998 Mitchell Repair Information Company, LLC

Friday, July 23, 2004 10:18PM



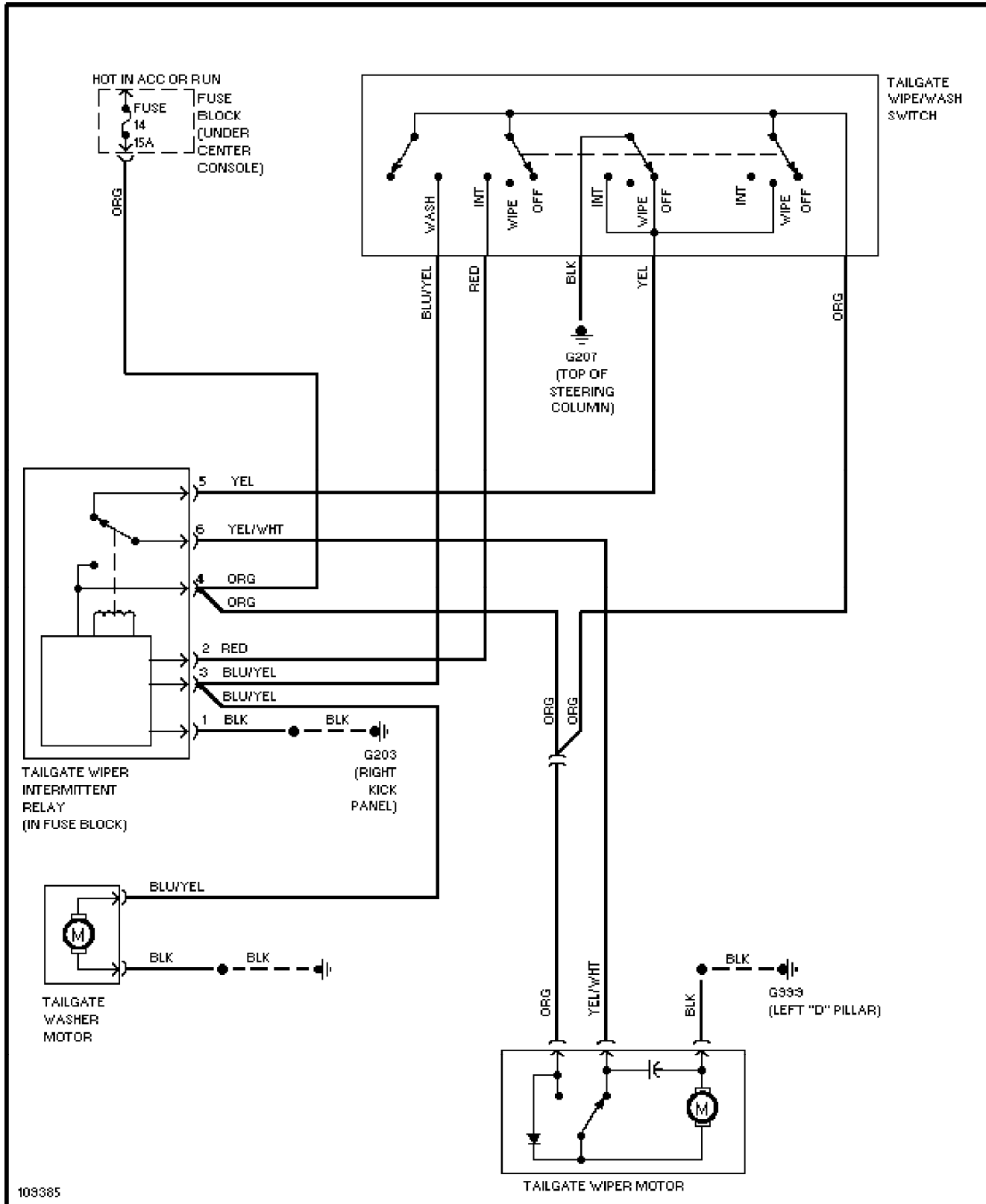
SYSTEM WIRING DIAGRAMS

Rear Wiper/Washer Circuit, Except 940SE

1991 Volvo 940

For x

Copyright © 1998 Mitchell Repair Information Company, LLC
Friday, July 23, 2004 10:20PM



SYSTEM WIRING DIAGRAMS

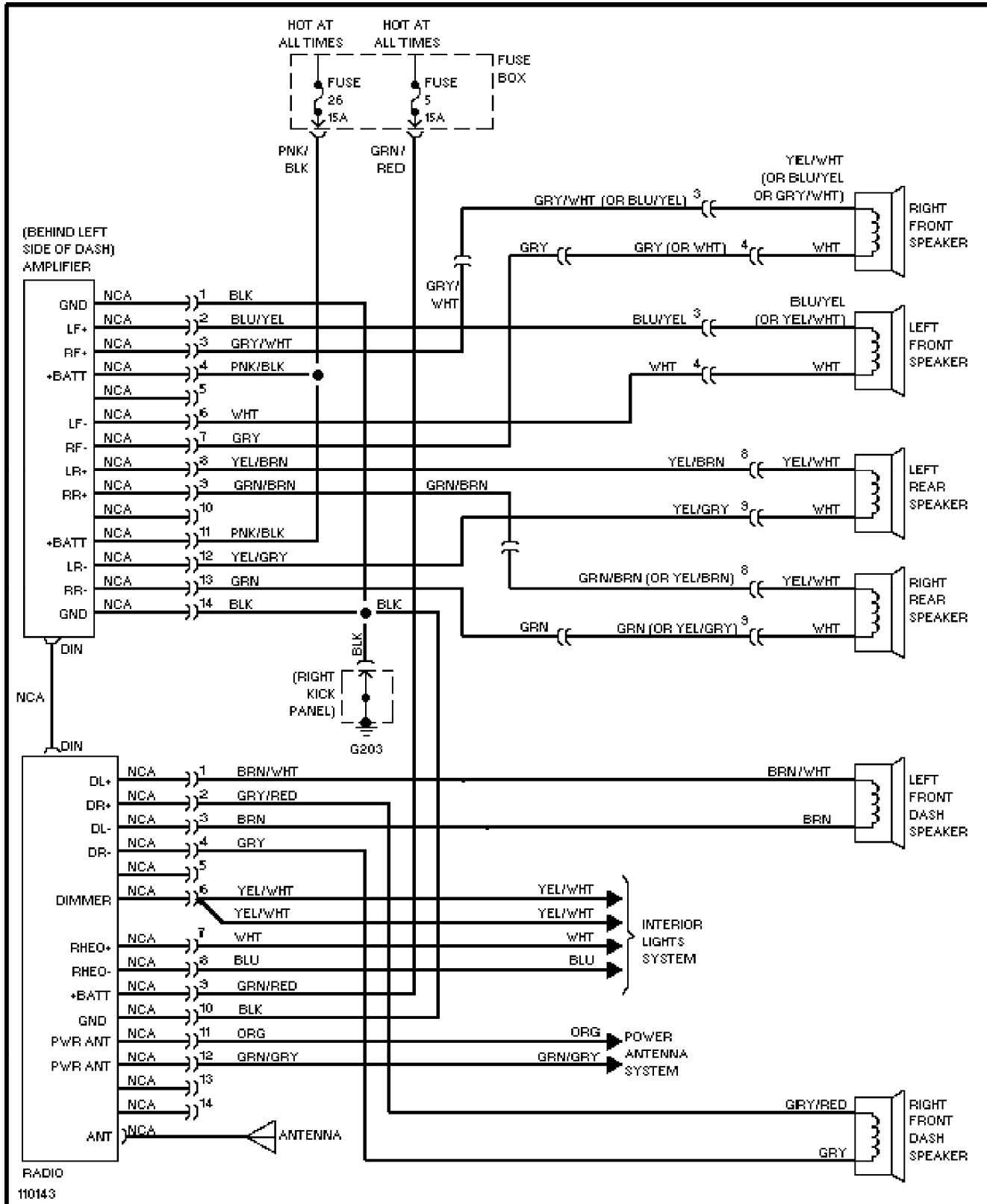
Radio Circuits, Except SE

1991 Volvo 940

For x

Copyright © 1998 Mitchell Repair Information Company, LLC

Friday, July 23, 2004 10:19PM



SYSTEM WIRING DIAGRAMS

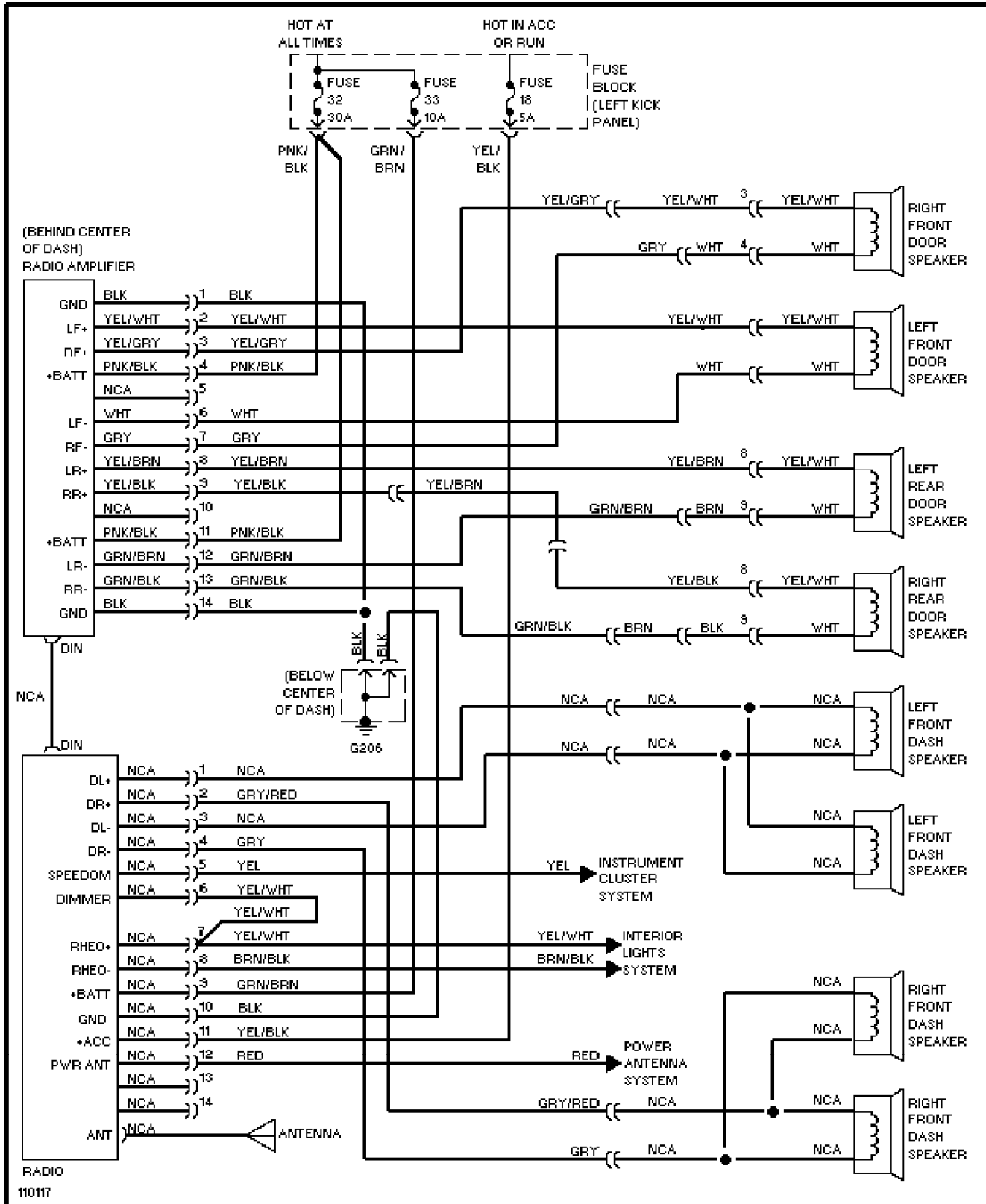
Radio Circuits, SE

1991 Volvo 940

For x

Copyright © 1998 Mitchell Repair Information Company, LLC

Friday, July 23, 2004 10:19PM



SYSTEM WIRING DIAGRAMS

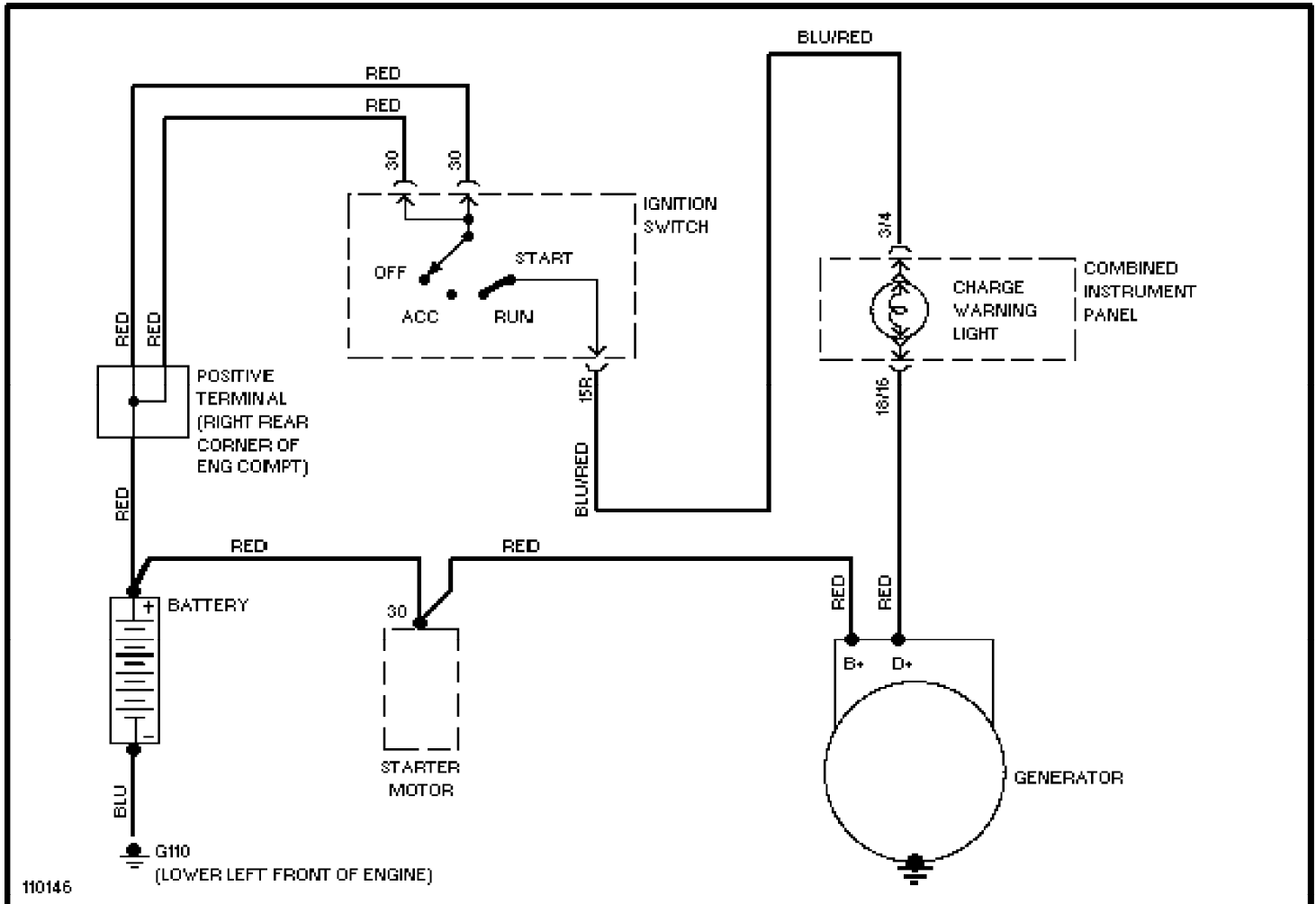
Charging Circuit, Except SE

1991 Volvo 940

For x

Copyright © 1998 Mitchell Repair Information Company, LLC

Friday, July 23, 2004 10:19PM



SYSTEM WIRING DIAGRAMS

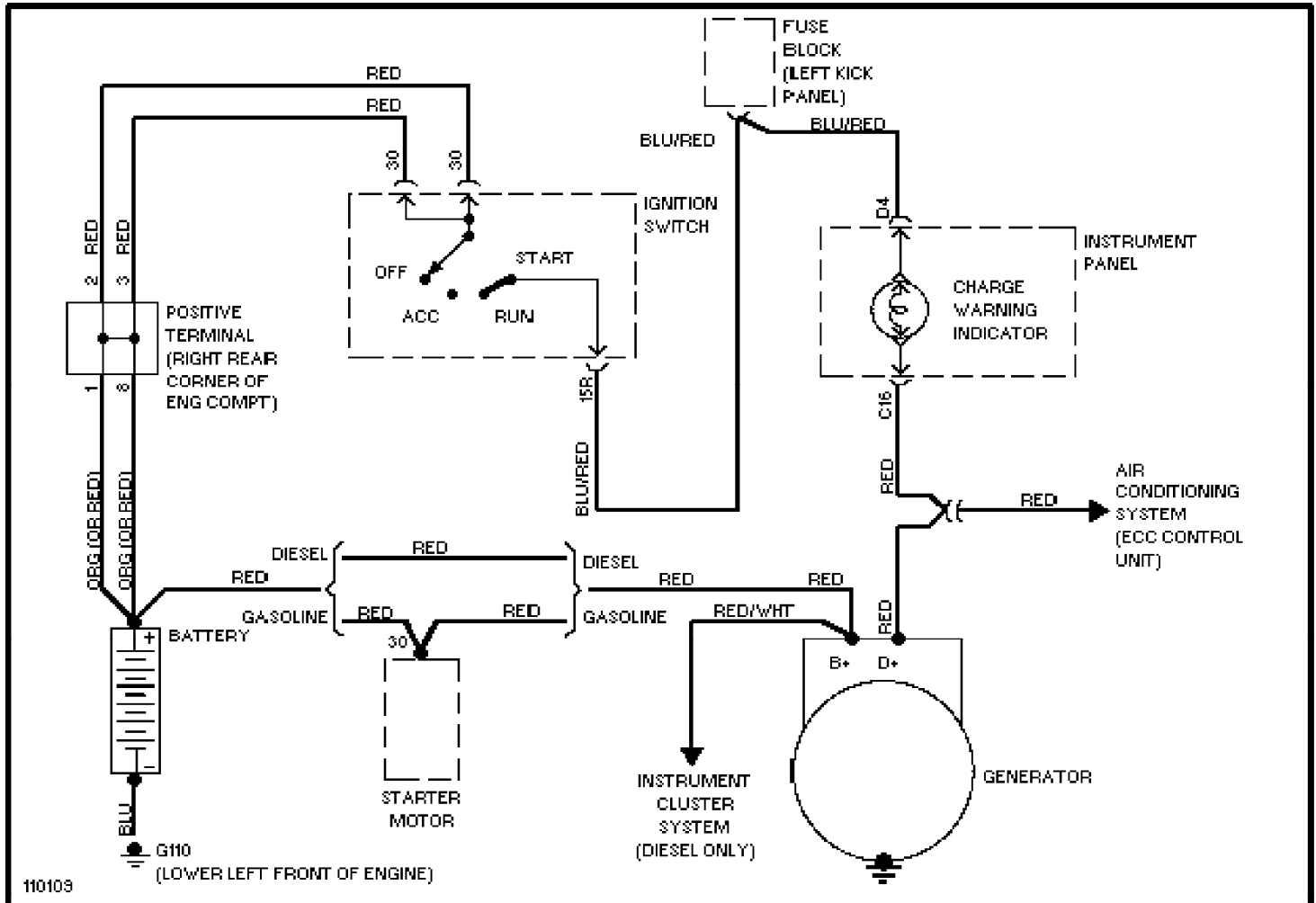
Charging Circuit, SE

1991 Volvo 940

For x

Copyright © 1998 Mitchell Repair Information Company, LLC

Friday, July 23, 2004 10:19PM



SYSTEM WIRING DIAGRAMS

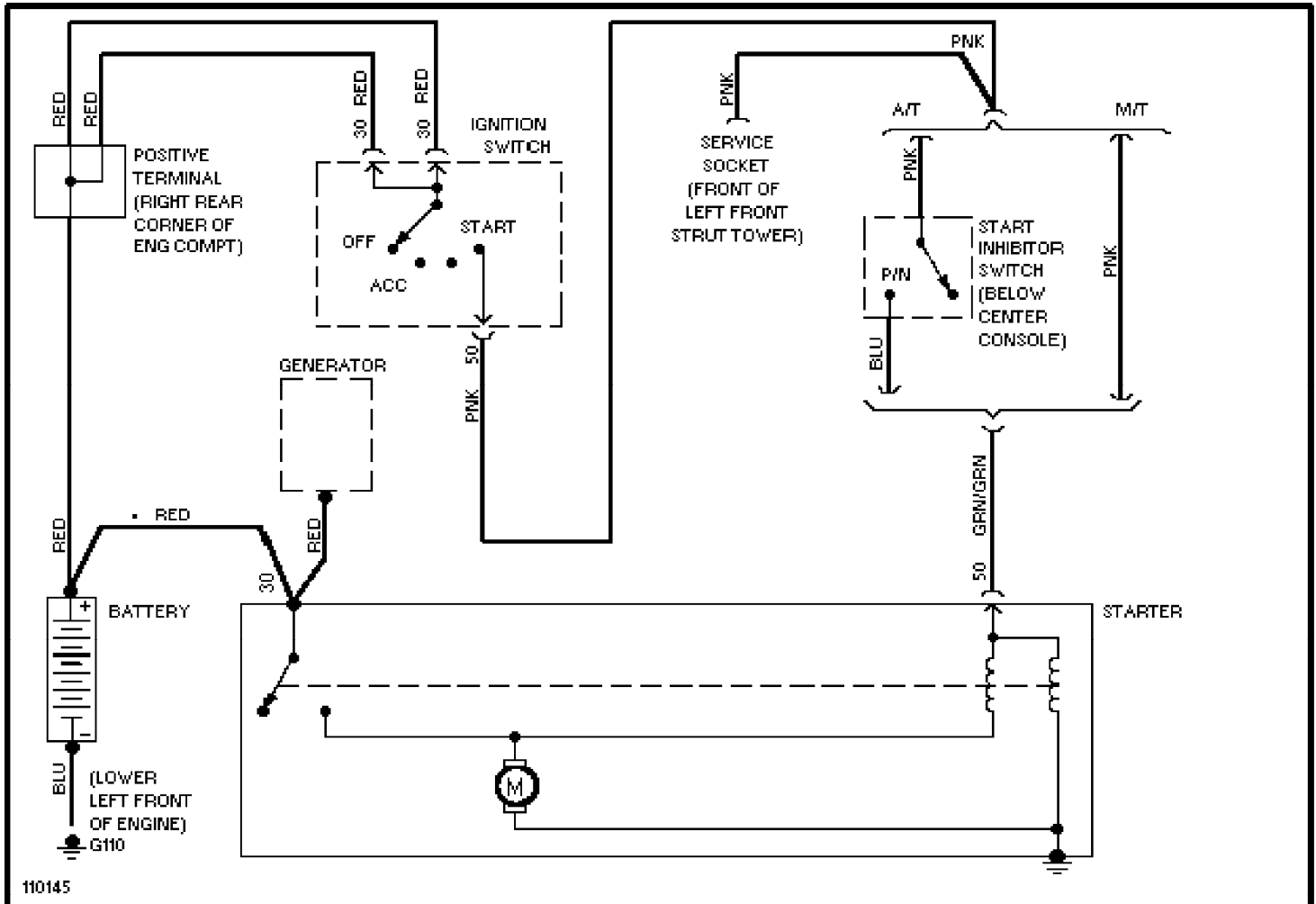
Starting Circuit, Except SE

1991 Volvo 940

For x

Copyright © 1998 Mitchell Repair Information Company, LLC

Friday, July 23, 2004 10:20PM



SYSTEM WIRING DIAGRAMS

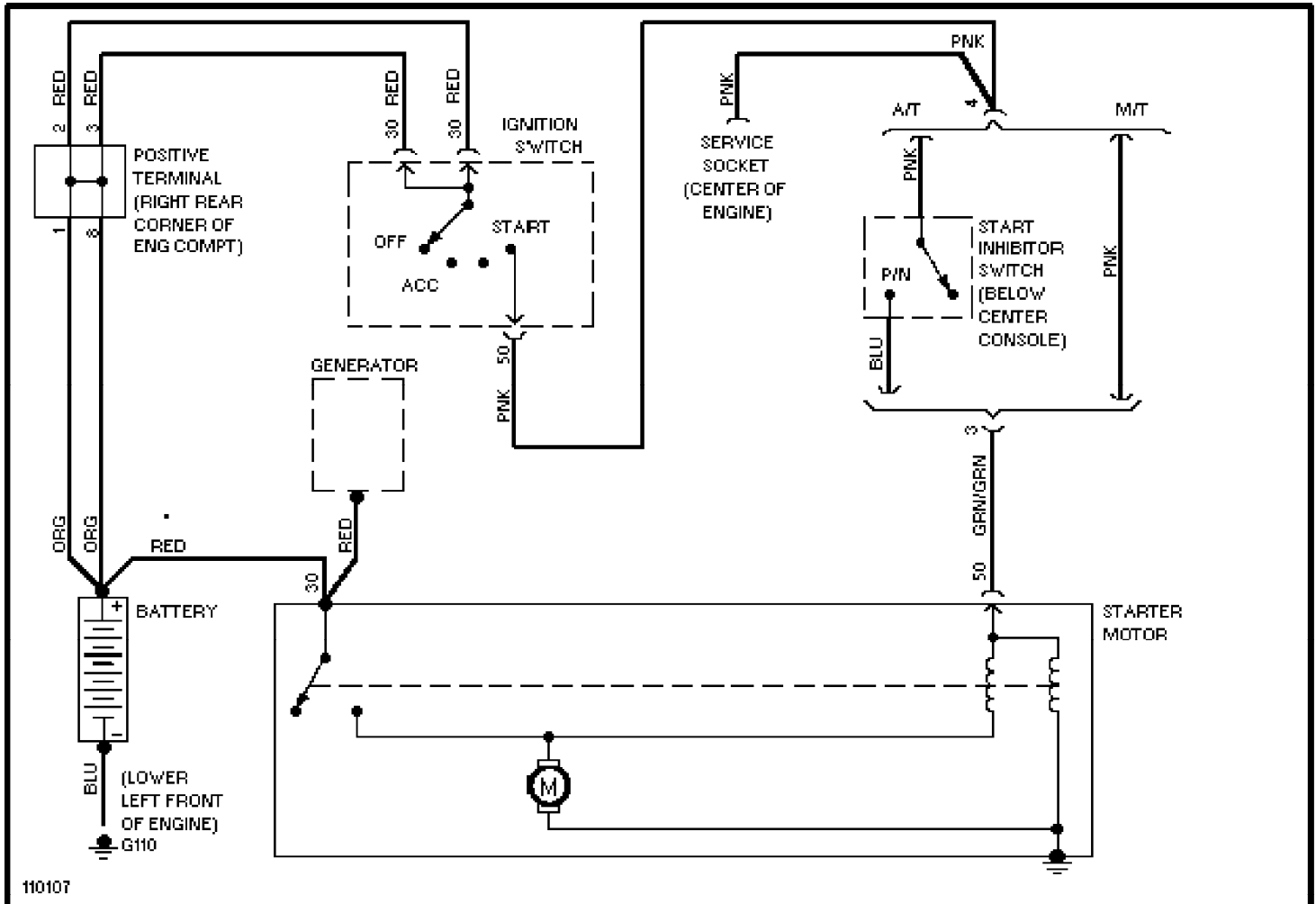
Starting Circuit, SE

1991 Volvo 940

For x

Copyright © 1998 Mitchell Repair Information Company, LLC

Friday, July 23, 2004 10:20PM



SYSTEM WIRING DIAGRAMS

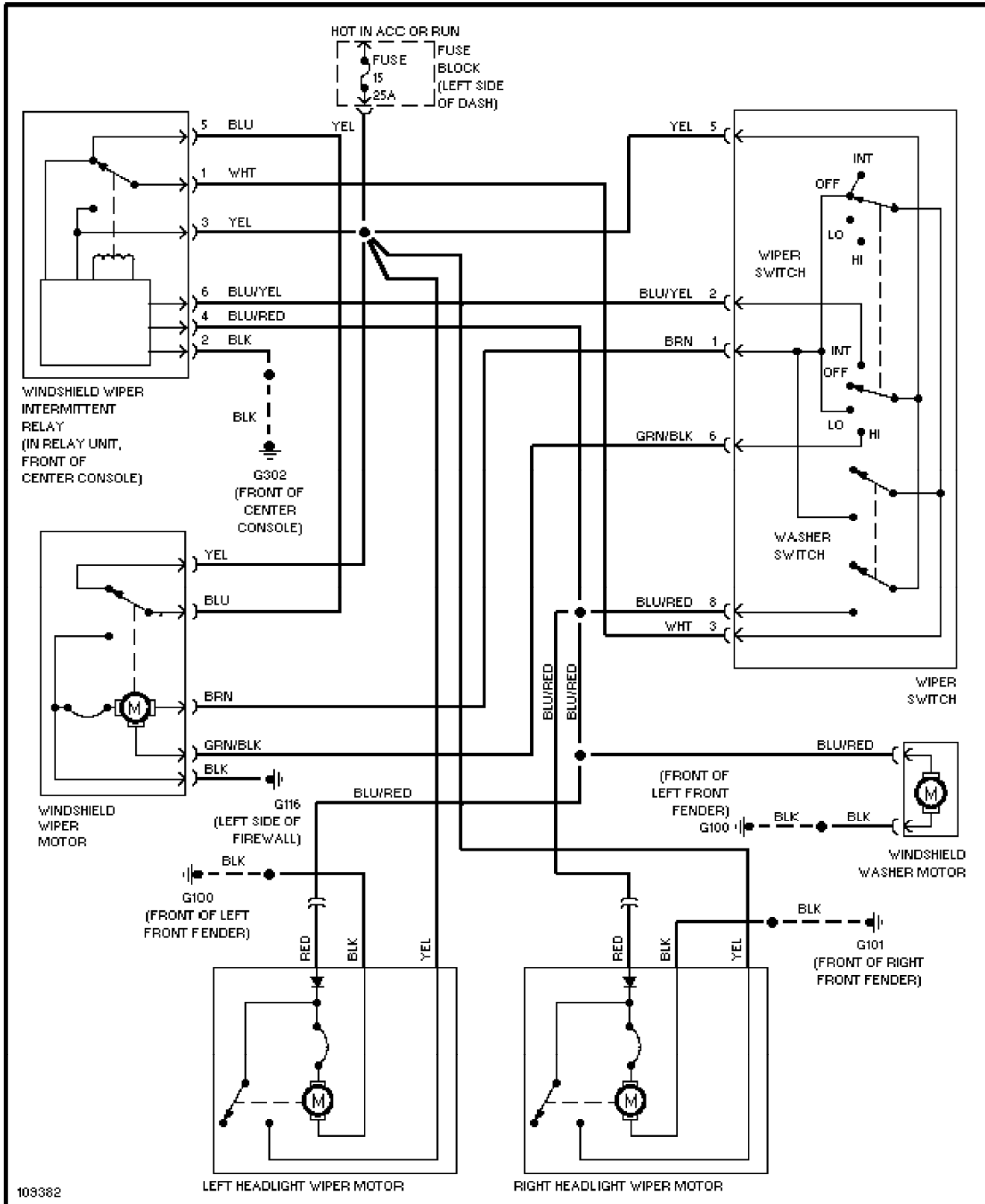
Front Wiper/Washer & Headlamp Wiper/Washer Circuit, 940SE

1991 Volvo 940

For x

Copyright © 1998 Mitchell Repair Information Company, LLC

Friday, July 23, 2004 10:20PM



SYSTEM WIRING DIAGRAMS

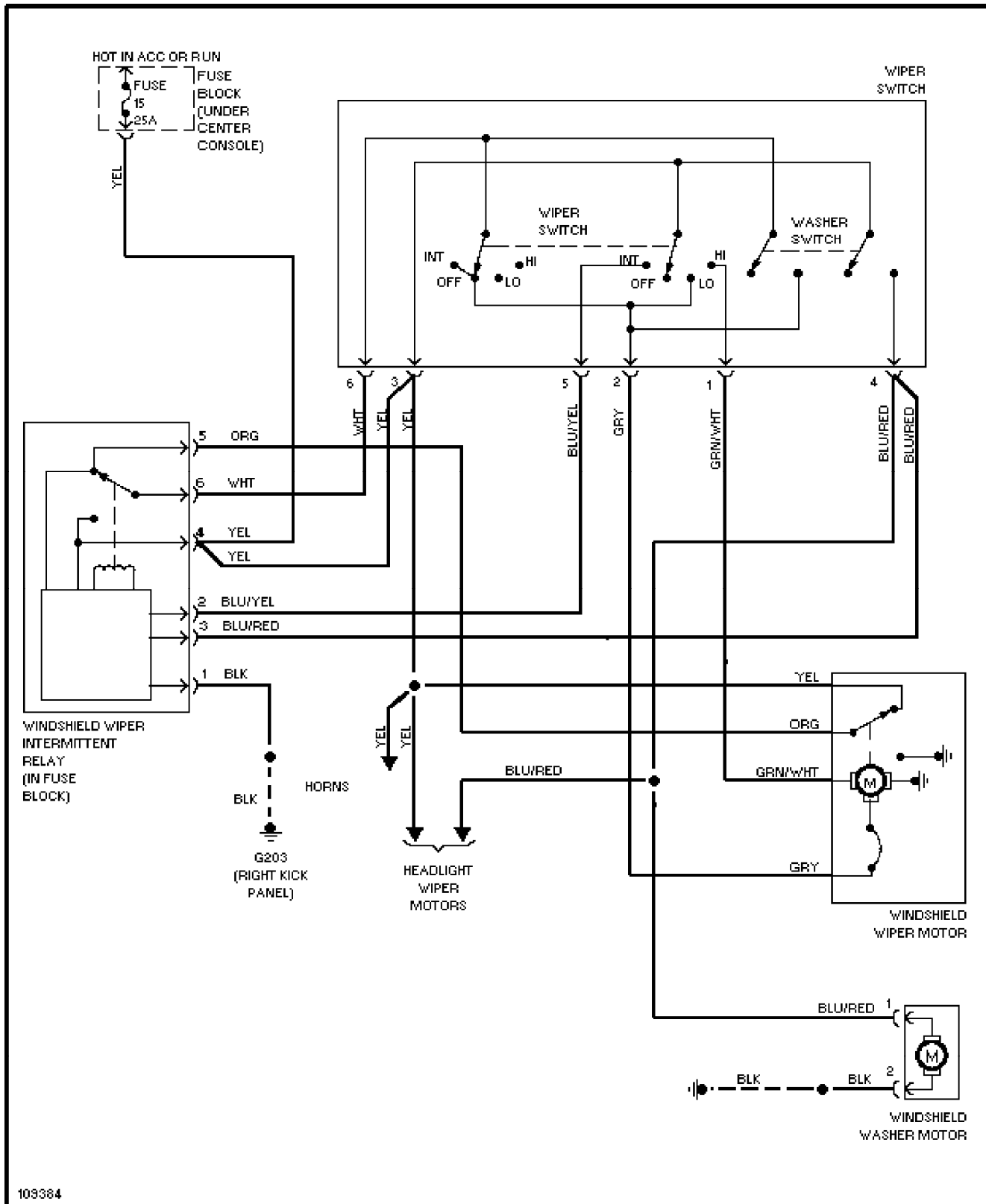
Front Wiper/Washer Circuit, Except 940SE

1991 Volvo 940

For x

Copyright © 1998 Mitchell Repair Information Company, LLC

Friday, July 23, 2004 10:20PM



SYSTEM WIRING DIAGRAMS

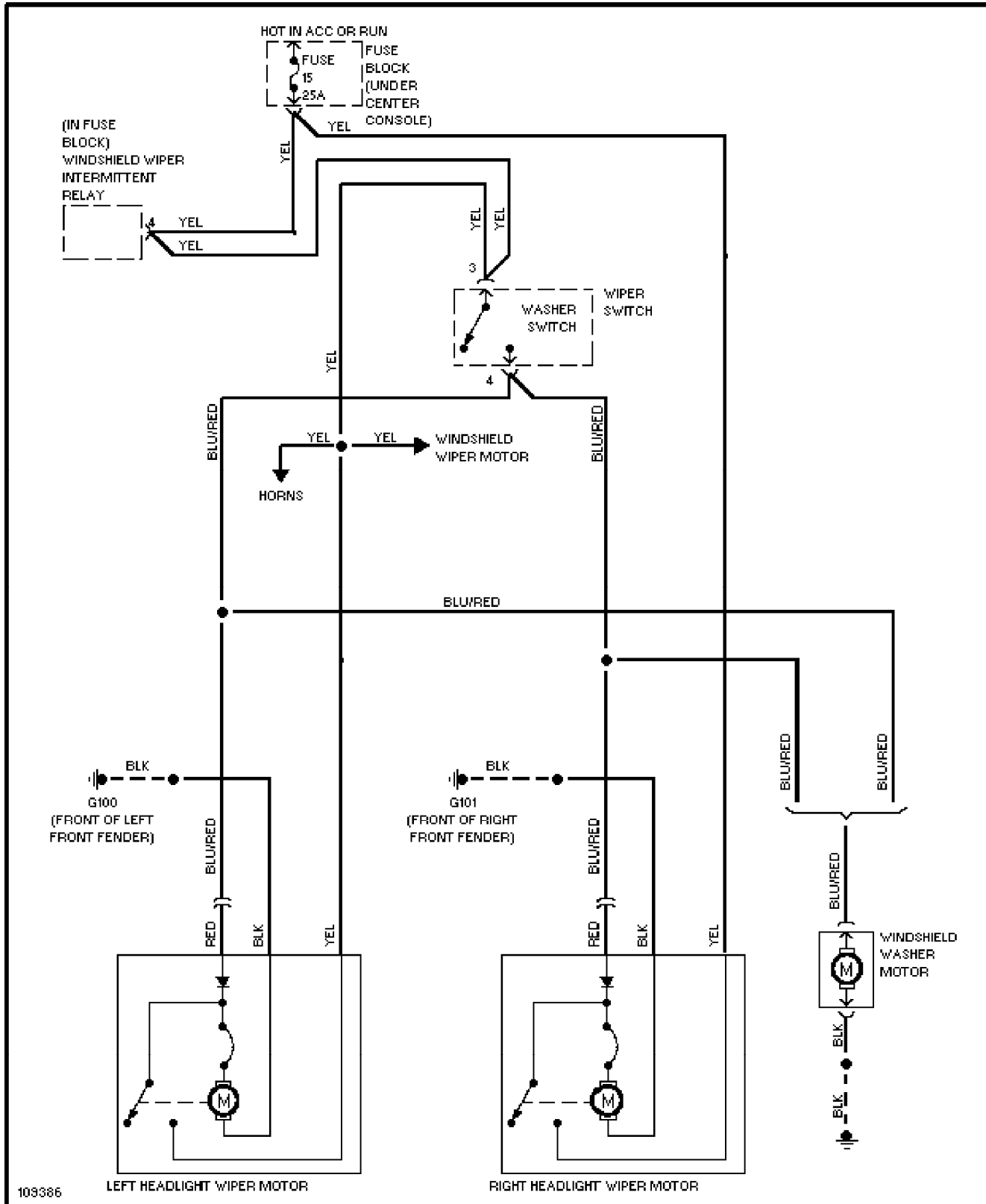
Headlamp Wiper/Washer Circuit, Except 940SE

1991 Volvo 940

For x

Copyright © 1998 Mitchell Repair Information Company, LLC

Friday, July 23, 2004 10:20PM



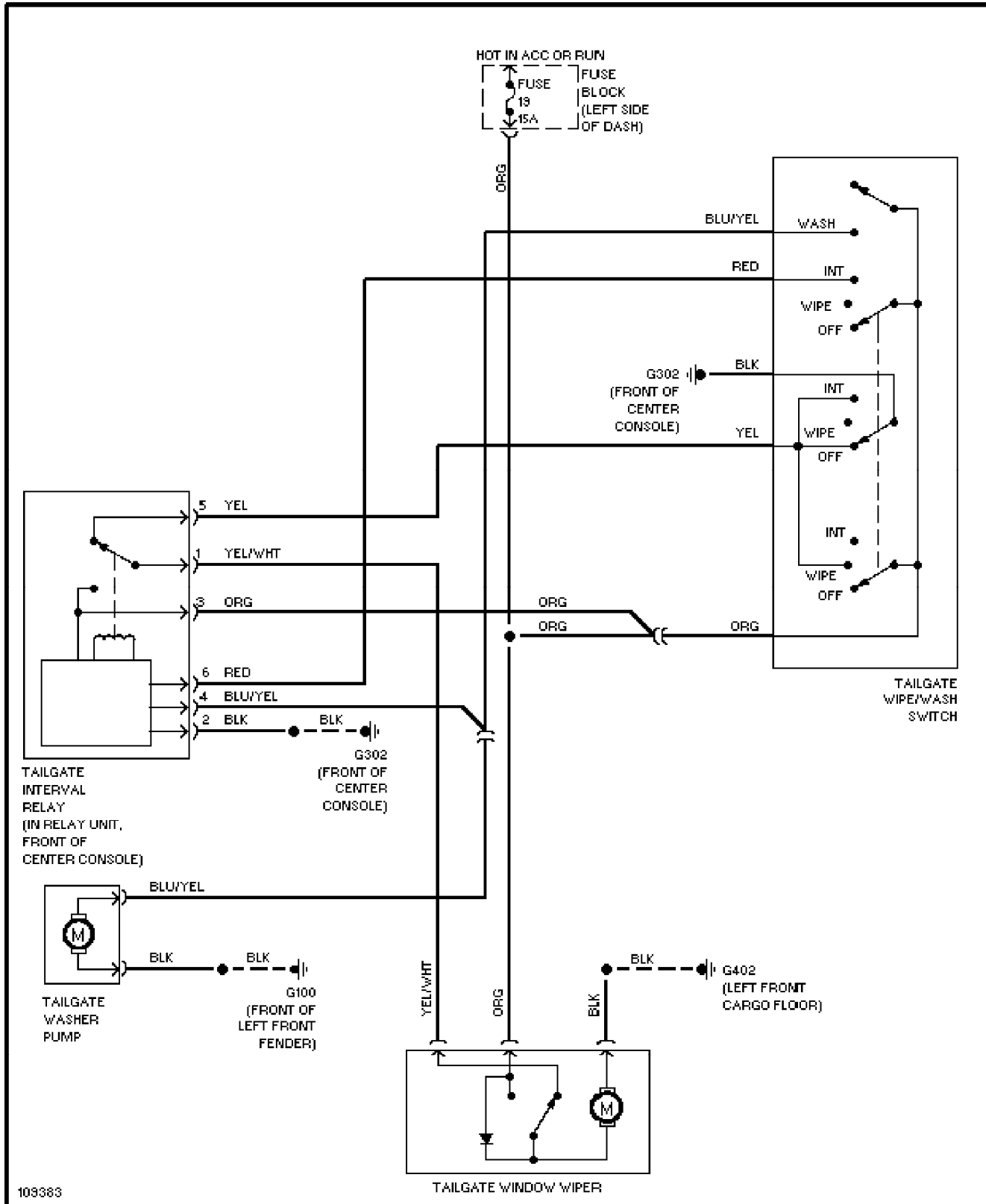
SYSTEM WIRING DIAGRAMS

Rear Wiper/Washer Circuit, 940SE

1991 Volvo 940

For x

Copyright © 1998 Mitchell Repair Information Company, LLC
Friday, July 23, 2004 10:20PM



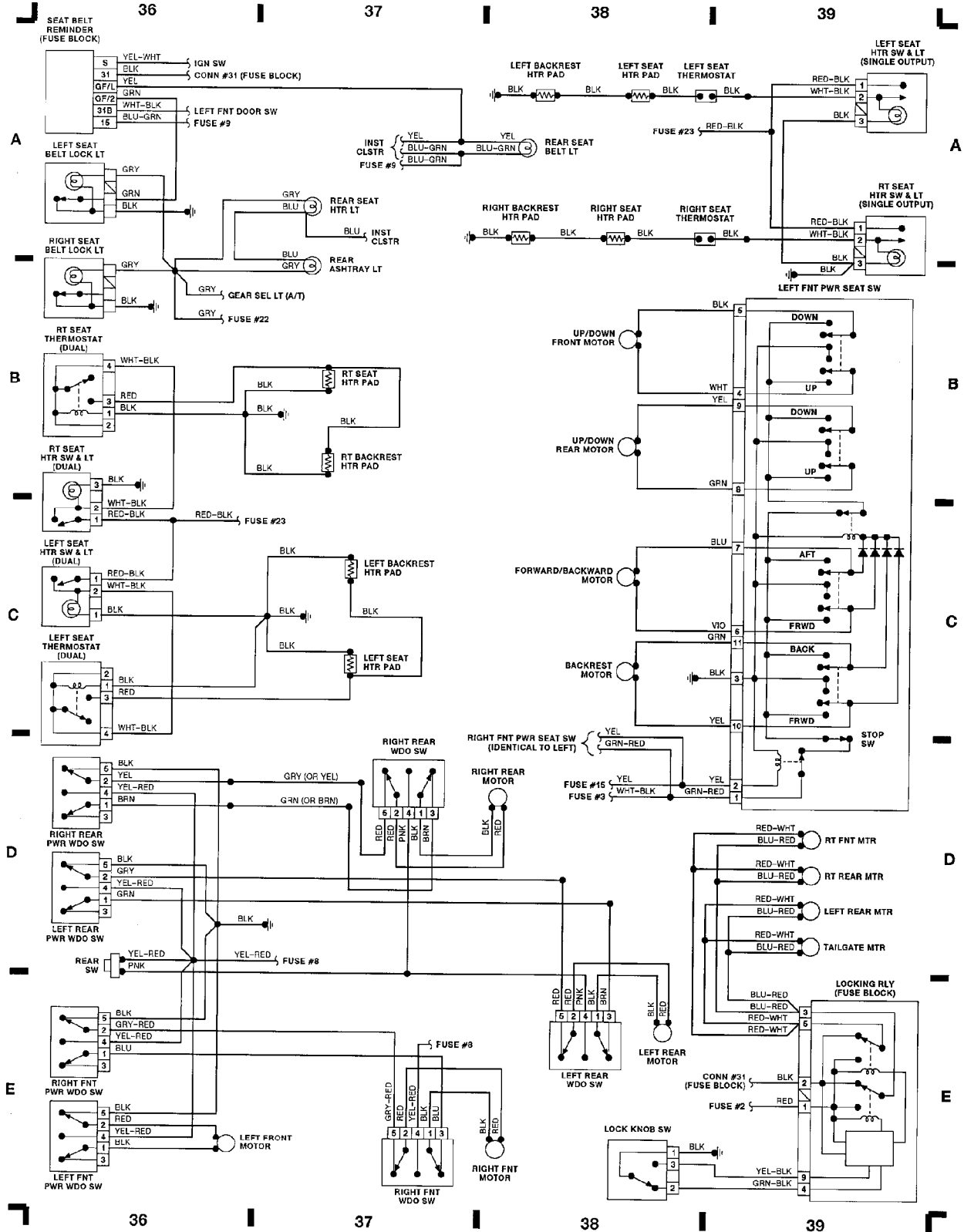
WIRING DIAGRAMS - GLE

Fig. 10: Pwr Windows/Heated Seats (Grid 36-39)

1991 Volvo 940

For x

Copyright © 1998 Mitchell Repair Information Company, LLC
Friday, July 23, 2004 10:21PM



WIRING DIAGRAMS - GLE

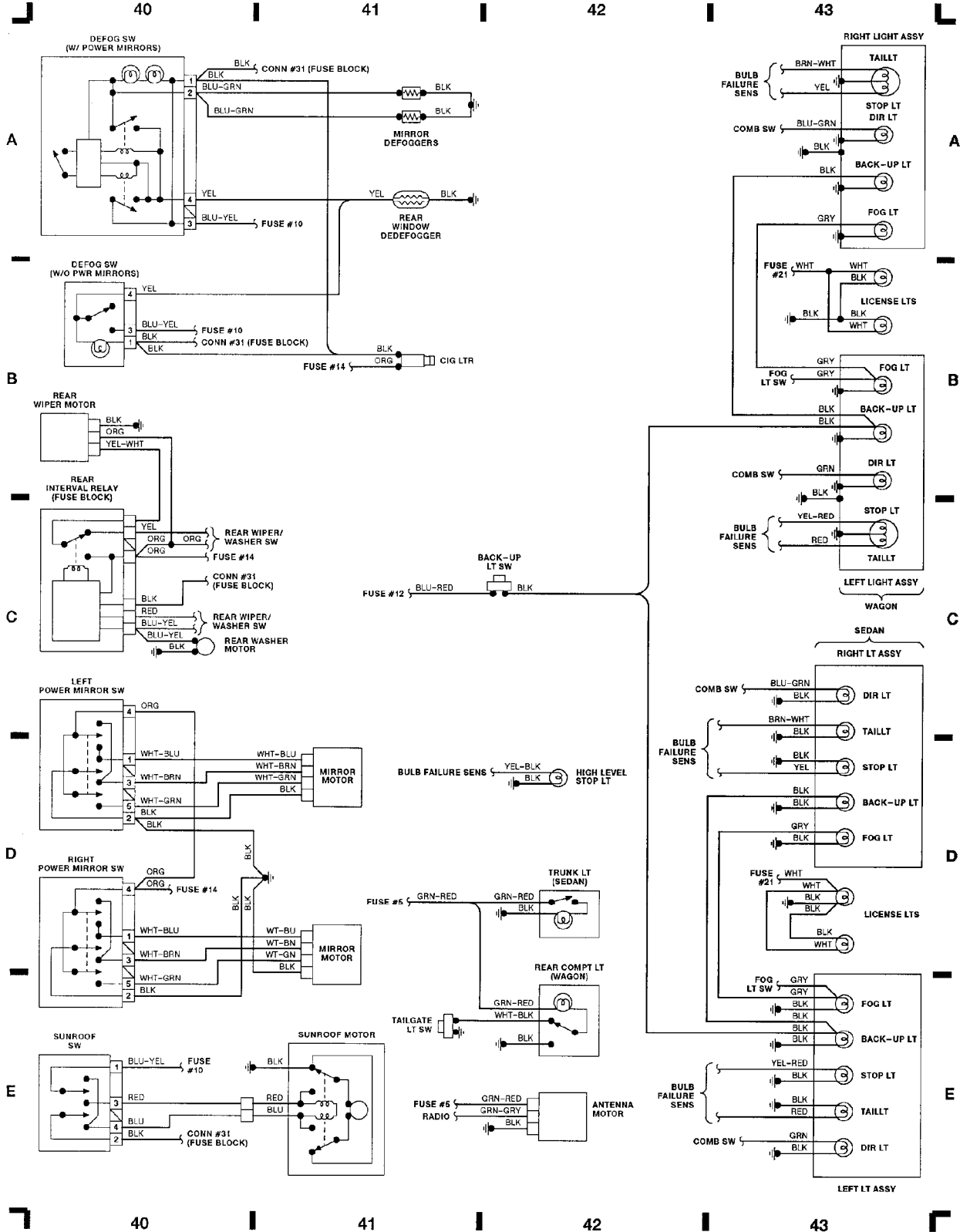
Fig. 11: Power Mirror, Defog Sw, Taillights (Grids 40-43)

1991 Volvo 940

For x

Copyright © 1998 Mitchell Repair Information Company, LLC

Friday, July 23, 2004 10:21PM



WIRING DIAGRAMS - GLE

Fig. 1: Engine Compartment & Headlights (Grids 1-3)

1991 Volvo 940

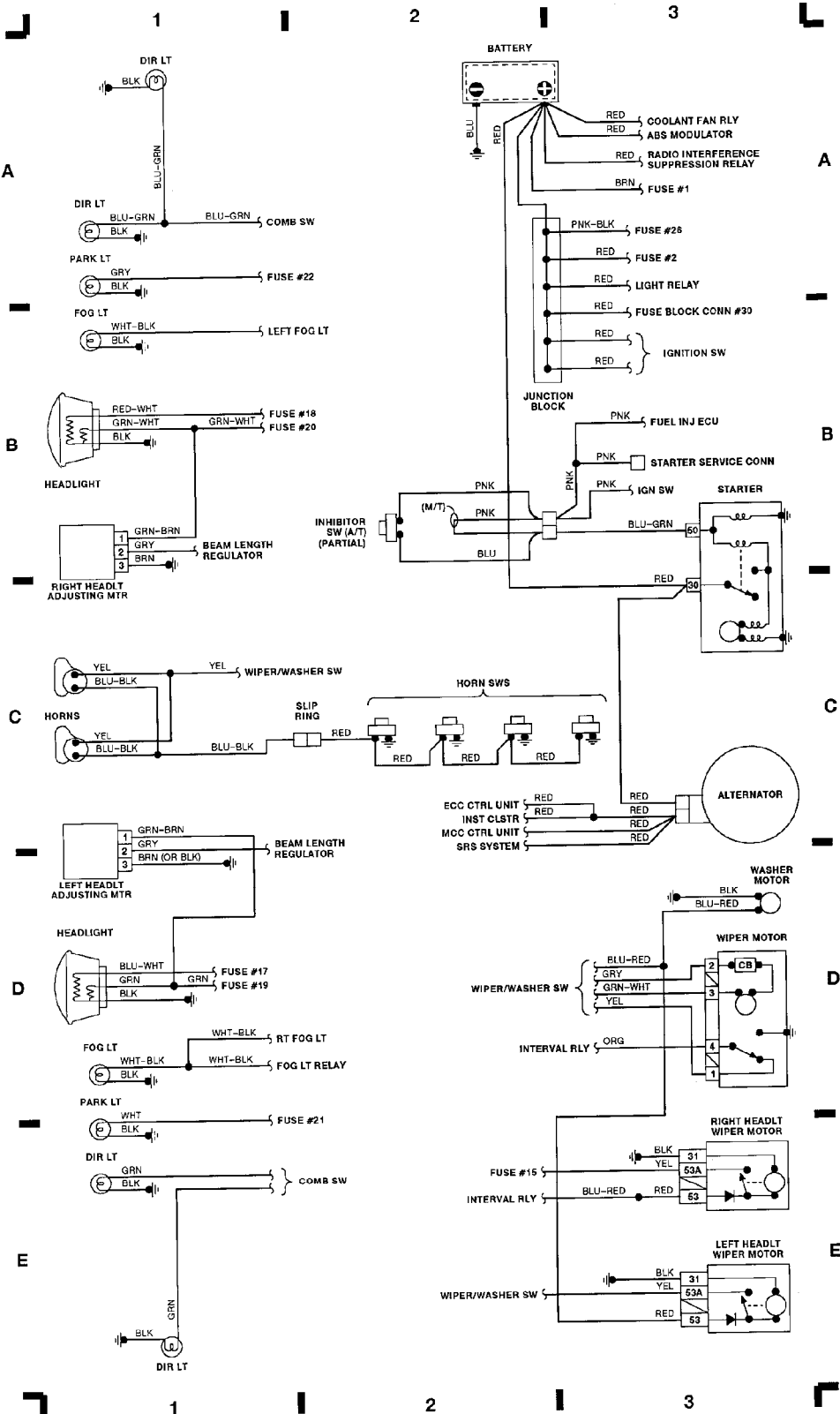
For x

Copyright © 1998 Mitchell Repair Information Company, LLC

Friday, July 23, 2004 10:20PM

COMPONENT LOCATOR:

ABS CTRL UNIT	A 29-30
ABS MODULATOR	A-C 31
ALTERNATOR	C 3
BACK-UP LT SW	C 42
BATTERY	A 2
BEAM LENGTH REGULATOR	A 19
BULB FAILURE SENS	E 24
CB LTR	B 41
COMB SW	A-C 24
COOLANT FAN RELAY	A 18-18
COURTESY LTS	C 24
CRUISE CTRL SYS	C-J 29-30
DEFOG SYS	A-B 40-41
DOOR LTS	D 24
ECC CTRL UNIT	C-E 23
ECC POWER UNIT	E 20
FLASHER RELAY	A 27
FOG LT RELAY	E 28
FOG LT SW	C-E 28
FUEL INJ ECU (CALIF)	A-C 4
FUEL INJ ECU (REGINA)	A-C 12
FUEL INJ ECU (TURBO)	A-B 8
FUEL PUMP (IN TANK) (CALIF)	D 4
FUEL PUMP (IN TANK) (TURBO)	C 11
FUEL PUMP (MAIN) (CALIF)	D 12
FUEL PUMP (MAIN) (TURBO)	C 11
FUEL PUMP (REGINA)	D 12
FUEL SYS RELAY (CALIF)	C 4
FUEL SYS RELAY (REGINA)	C 12
FUEL SYS RELAY (TURBO)	B 11
FUSE/RELAY BLOCK (PARTIAL)	B-D 16-19
GEAR SEL LT	C 35
GLOVE BOX LT	C 20
HEATER CTRL SW	D 42
HIGH LEVEL STOP LT	C 1-2
HORN & HORN SWS	E 6
IGN COIL (CALIF)	E 15
IGN COIL (REGINA)	C 8
IGN COIL (TURBO)	E 16
IGN SW	C-D 7
IGN SYS ECU (CALIF)	C-D 15
IGN SYS ECU (REGINA)	D-E 8
IGN SYS ECU (TURBO)	D-E 8
INHIBITOR SW (M/T)	A-E 32-33
INST CLSTR	E 35
INT PANEL LTS	D 27
INTERVAL RELAY	A-B 2-3
JUNCTION BLOCK	C 26
LEFT FRONT DOOR SW	C-D 1
LEFT HEADLT ADJUSTING MTR	E 3
LEFT HEADLT WIPER MOTOR	B-C 27
LOCKING RELAY	A-B 27
LOCKING RELAY	D-E 36-39
MCC CTRL UNIT	B-C 23
O/D RELAY (A/T)	B 20
O/D RELAY (M/T)	A 20
O2 SENS (CALIF)	C 7
O2 SENS (REGINA)	C 15
POWER ANTENNA MOTOR	E 42
POWER MIRROR SYS	C-E 40-41
POWER SEAT SW	B-D 36-39
POWER WINDOW SYS	D-E 36-39
POWER WINDOW/HEATED SEAT RELAY	C 29
RADIO INTERFERENCE SUPPRESSION RELAY (CALIF)	B 7
RADIO INTERFERENCE SUPPRESSION RELAY (TURBO)	D 11
REAR INTERVAL RELAY	C 40
REAR WIPER/WASHER SW	D-E 27
RHEOSTAT & CLOCK ADJUSTER	C-D 35
RIGHT HEADLT ADJUSTING MOTOR	B 1
RIGHT HEADLT WIPER MOTOR	E 3
SEAT BELT LOCK LTS	A-B 36
SEAT BELT REMINDER	A 36
SEAT HEATER SYS (DUAL)	B-C 36-37
SEAT HEATER SYS (SINGLE OUTPUT)	A 36-39
SHIFT LOCK SYS	E 31
SRS SYS	C-D 31
STARTER	B-C 2
STOP LT SW	D 28
SUNROOF SYS	E 40-41
TRANSIENT SURGE PROTECTOR	B 28
TRUNK LT	D-E 41-42
WIPER MOTOR	D 3
WIPER/WASHER SW	C 27



WIRING DIAGRAMS - GLE

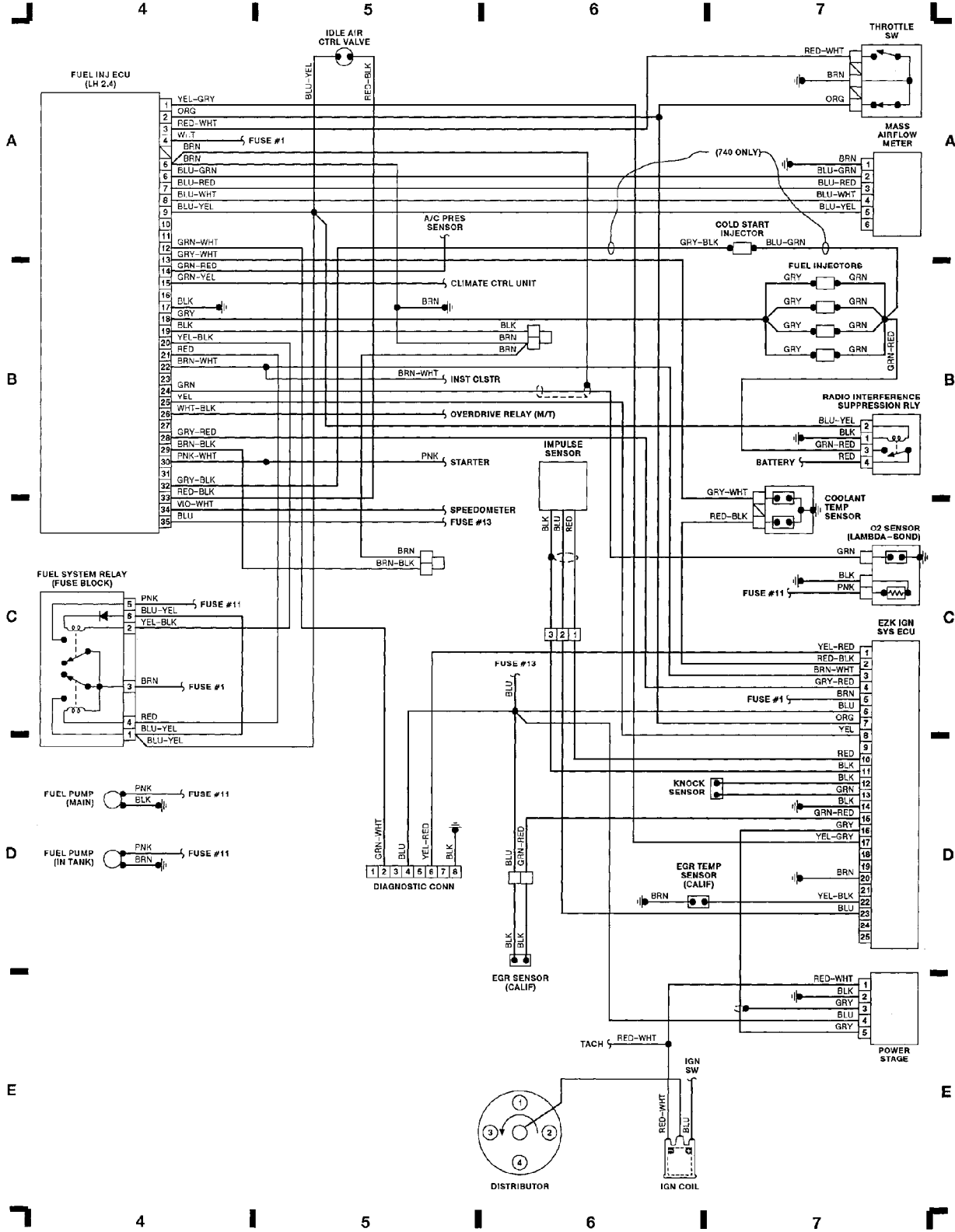
Fig. 2: Computer Engine Control (Calif.) (Grids 4-7)

1991 Volvo 940

For x

Copyright © 1998 Mitchell Repair Information Company, LLC

Friday, July 23, 2004 10:21PM



WIRING DIAGRAMS - GLE

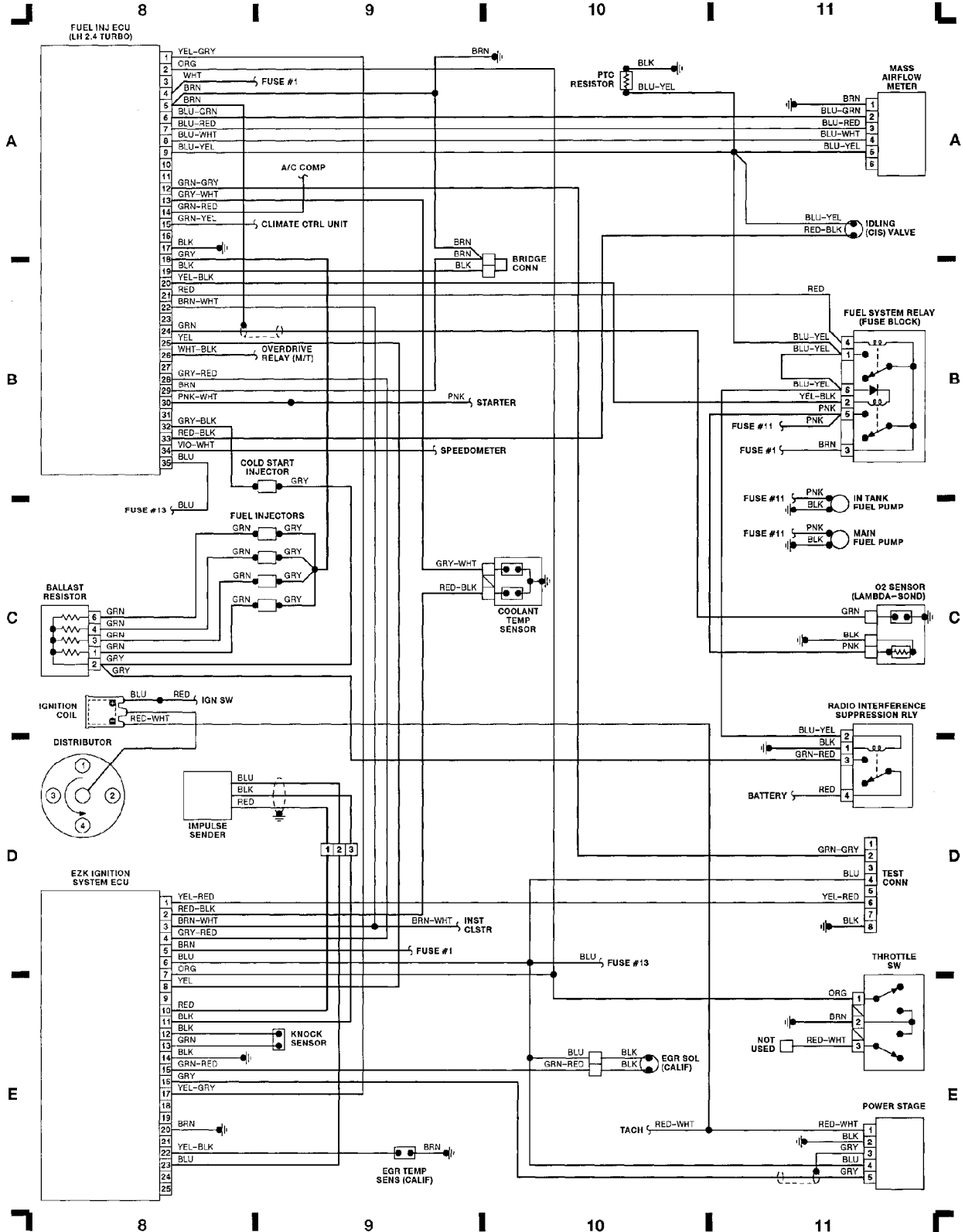
Fig. 3: Computer Eng Control (Turbo) (Grids 8-11)

1991 Volvo 940

For x

Copyright © 1998 Mitchell Repair Information Company, LLC

Friday, July 23, 2004 10:21PM



WIRING DIAGRAMS - GLE

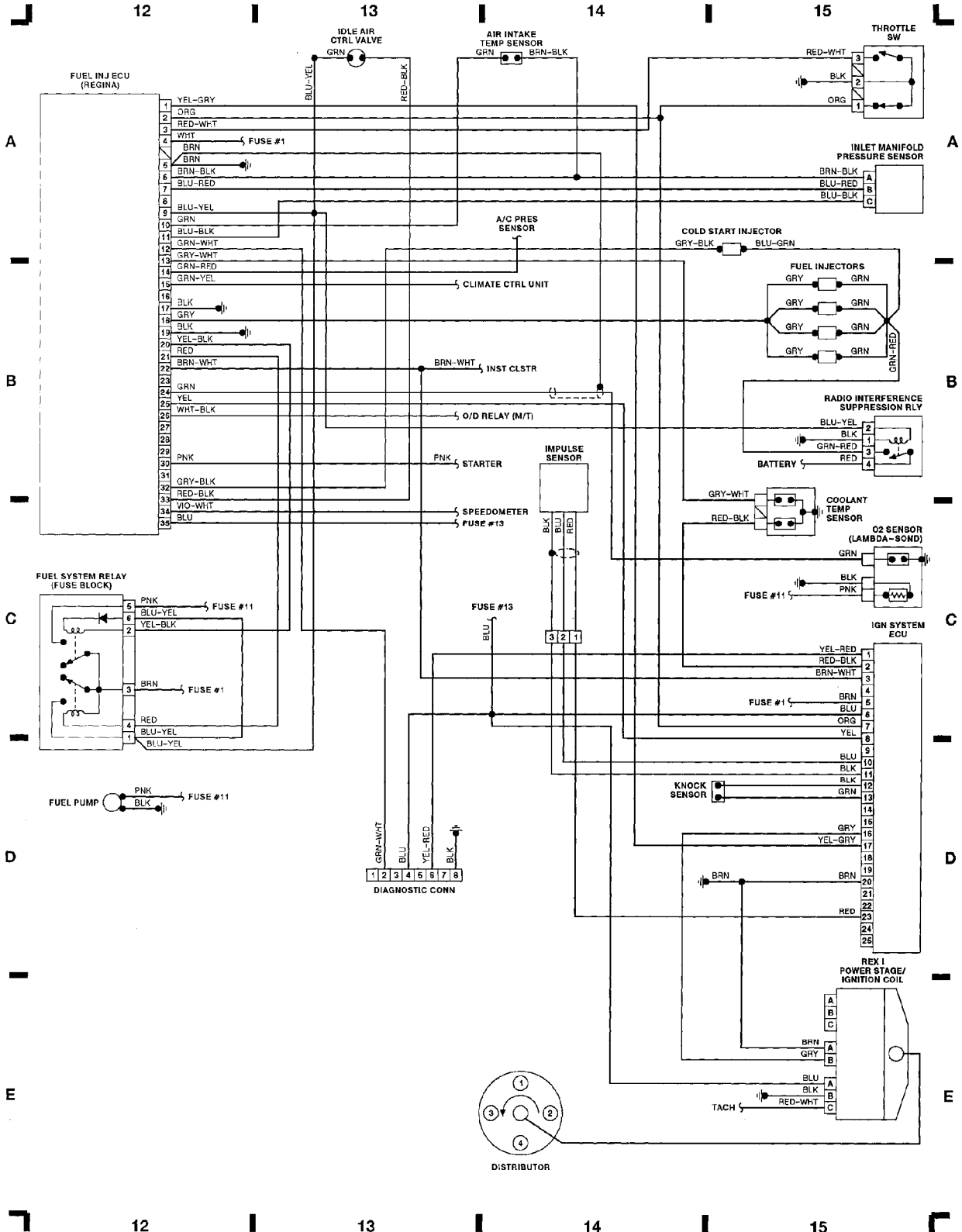
Fig. 4: Computer Eng Control (Regina) (Grids 12-15)

1991 Volvo 940

For x

Copyright © 1998 Mitchell Repair Information Company, LLC

Friday, July 23, 2004 10:21PM



WIRING DIAGRAMS - GLE

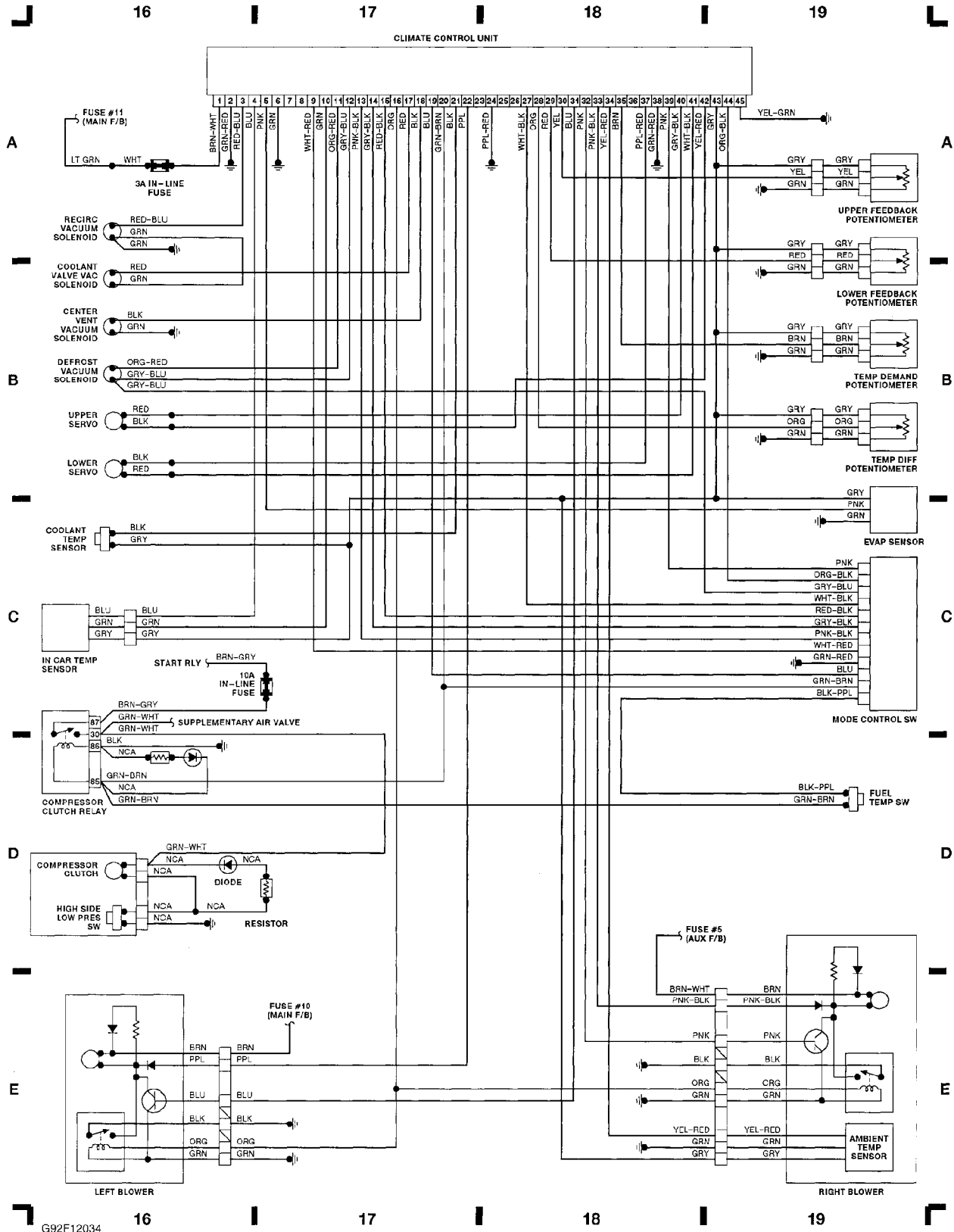
Fig. 5: Fuse/Relay Block (Partial), Ignition Sw (Grids 16-19)

1991 Volvo 940

For x

Copyright © 1998 Mitchell Repair Information Company, LLC

Friday, July 23, 2004 10:21PM



WIRING DIAGRAMS - GLE

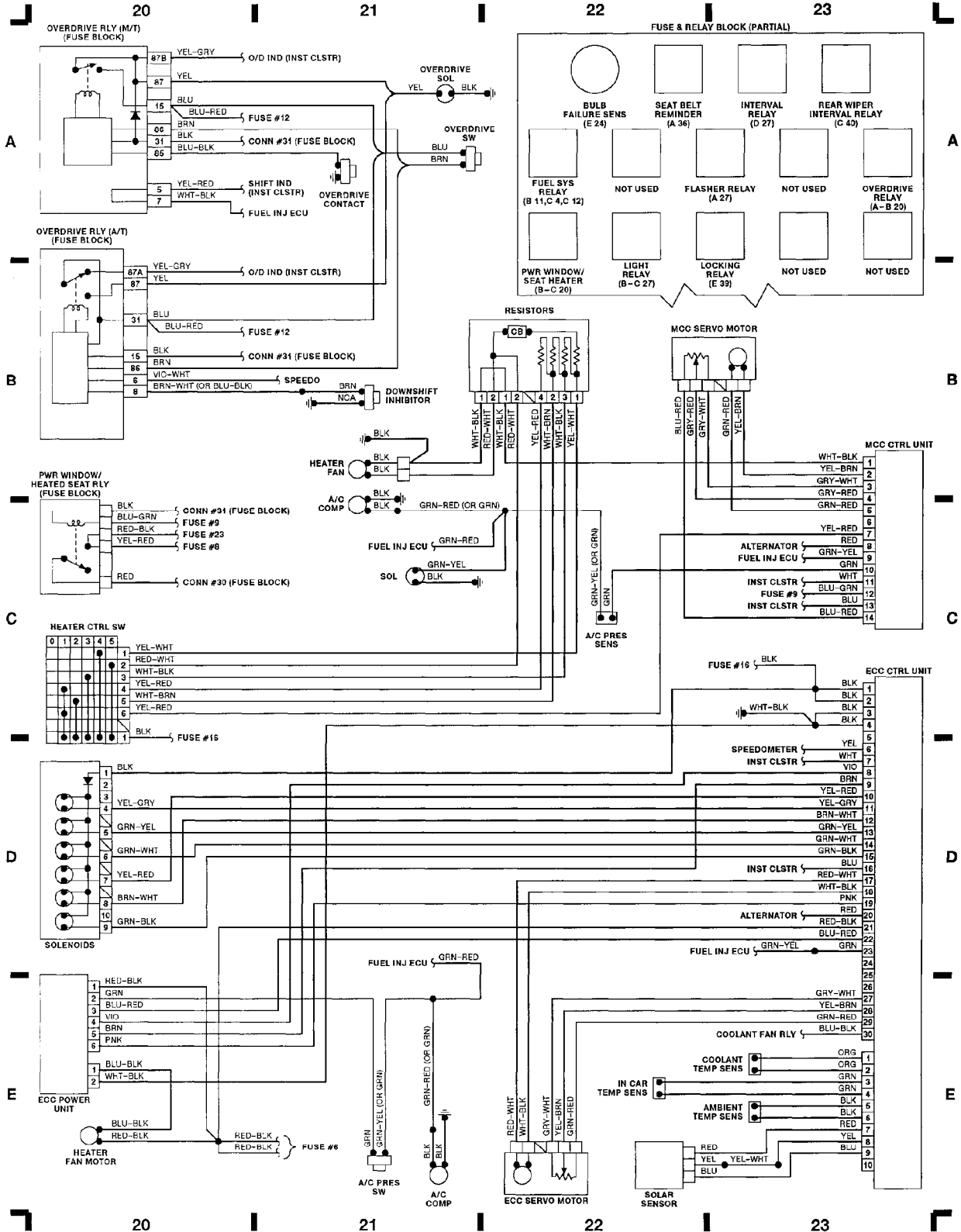
Fig. 6: ECC Ctrl Unit, MCC Ctrl Unit (Grids 20-23)

1991 Volvo 940

For x

Copyright © 1998 Mitchell Repair Information Company, LLC

Friday, July 23, 2004 10:21PM



WIRING DIAGRAMS - GLE

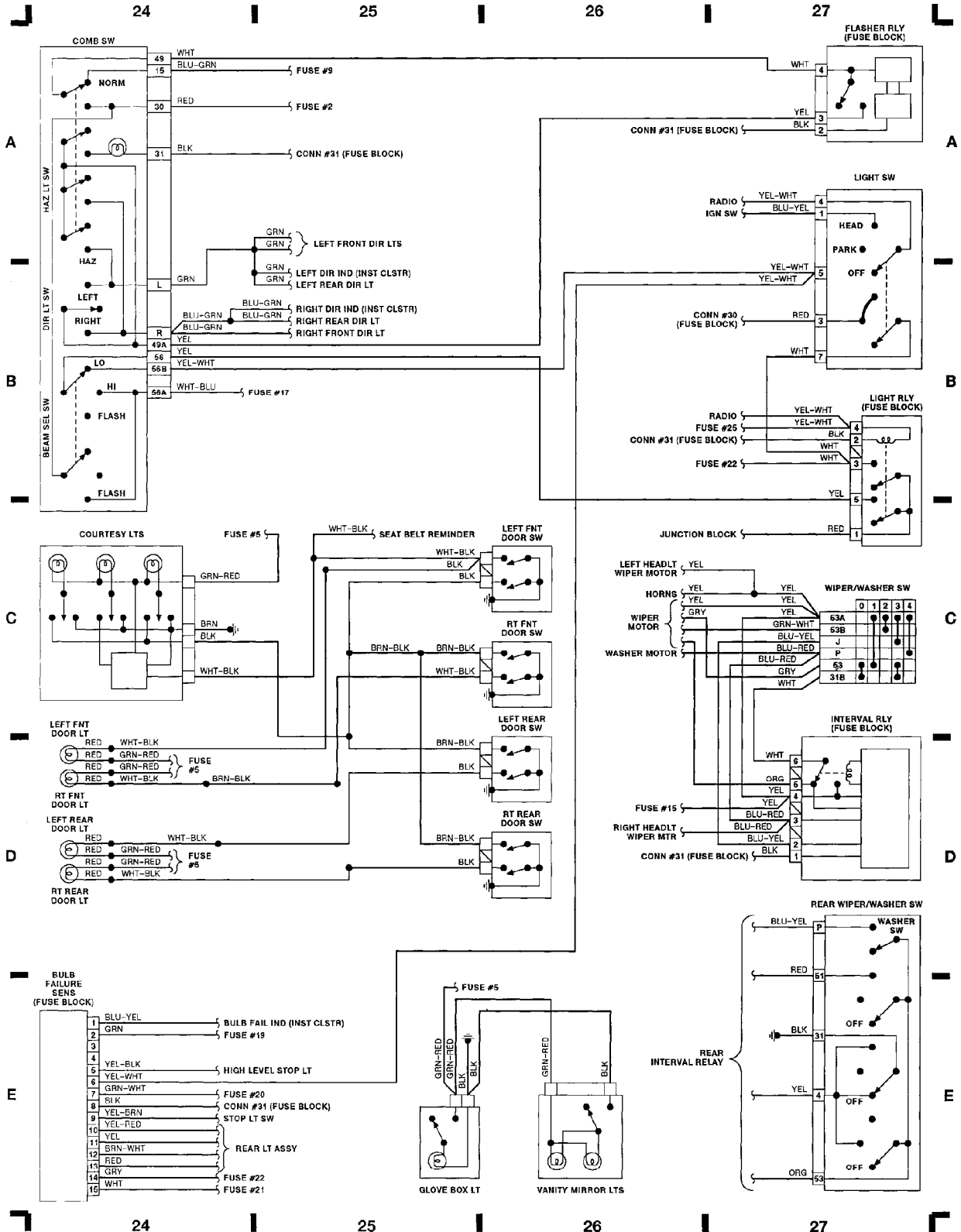
Fig. 7: Comb Sw, Wiper/Washer Sw, Courtesy Sw (Grids 24-27)

1991 Volvo 940

For x

Copyright © 1998 Mitchell Repair Information Company, LLC

Friday, July 23, 2004 10:21PM



WIRING DIAGRAMS - GLE

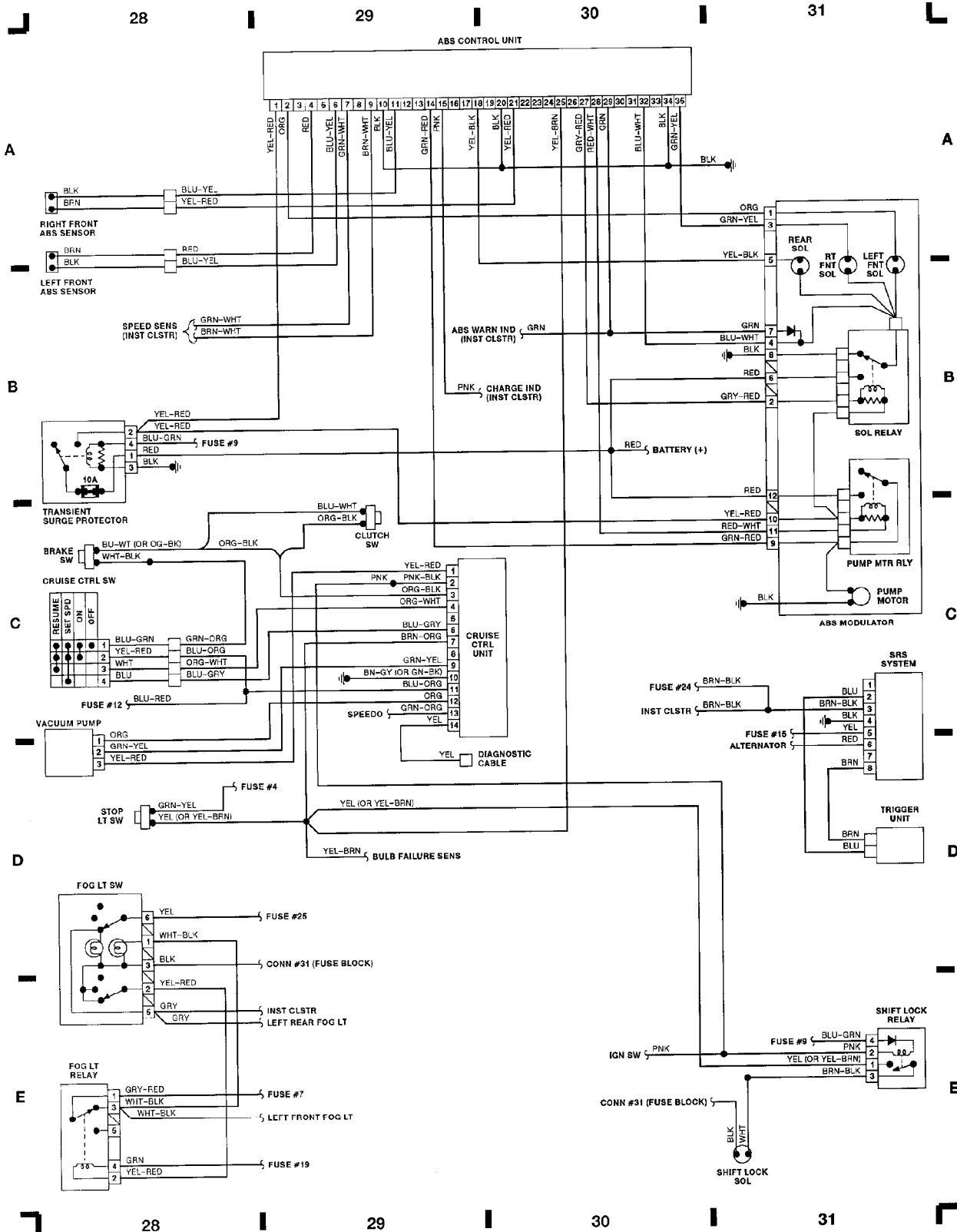
Fig. 8: ABS Ctrl, Cruise Ctrl, Trans Surge Protector (Grids 28-31)

1991 Volvo 940

For x

Copyright © 1998 Mitchell Repair Information Company, LLC

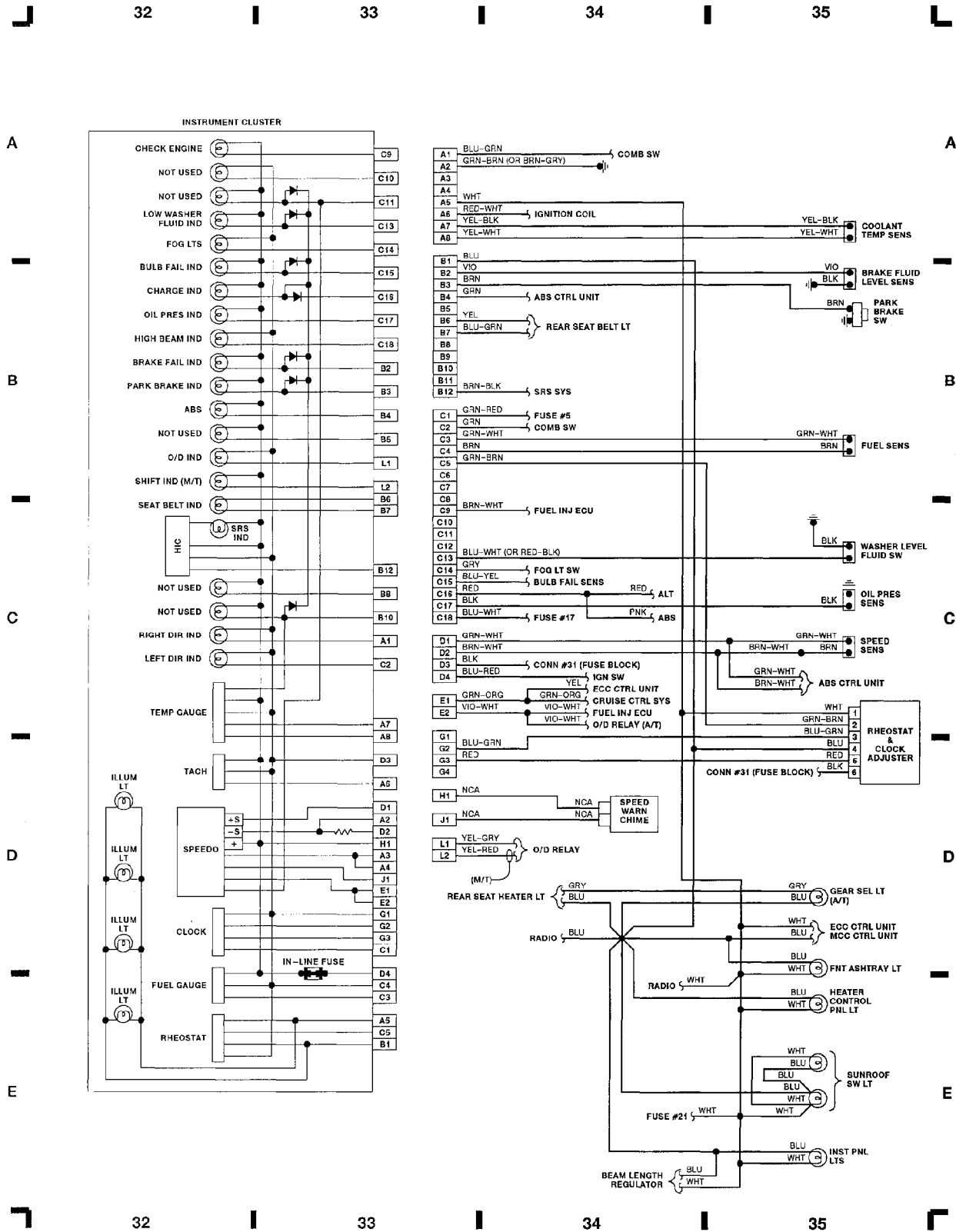
Friday, July 23, 2004 10:21PM



WIRING DIAGRAMS - GLE

Fig. 9: Inst Cluster, Rheostat (Grids 32-35)

1991 Volvo 940
For x
Copyright © 1998 Mitchell Repair Information Company, LLC
Friday, July 23, 2004 10:21PM



WIRING DIAGRAMS - SE

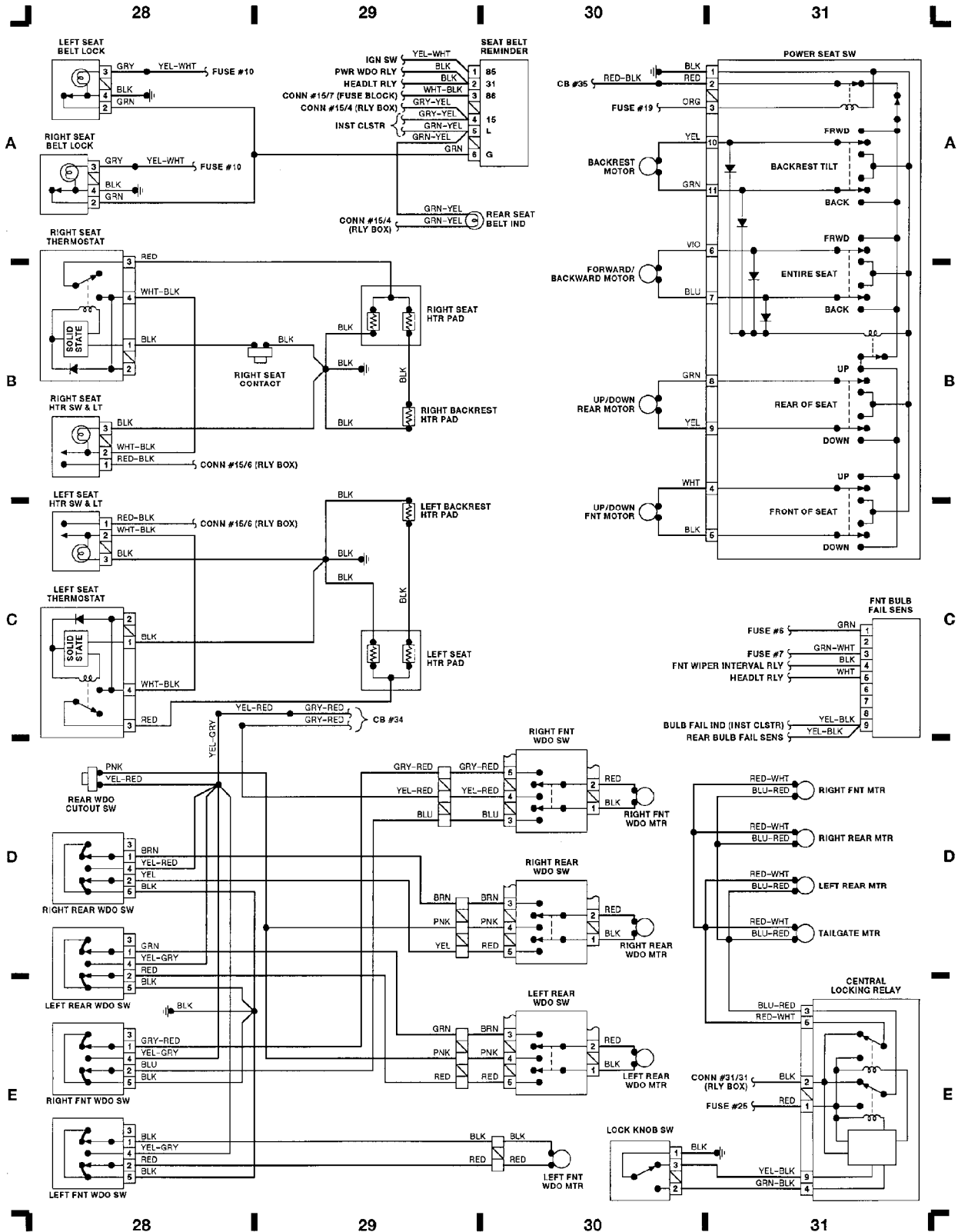
Fig. 8: Pwr Seat/Window, Central Lock Relay (Grids 28-31)

1991 Volvo 940

For x

Copyright © 1998 Mitchell Repair Information Company, LLC

Friday, July 23, 2004 10:22PM



WIRING DIAGRAMS - SE

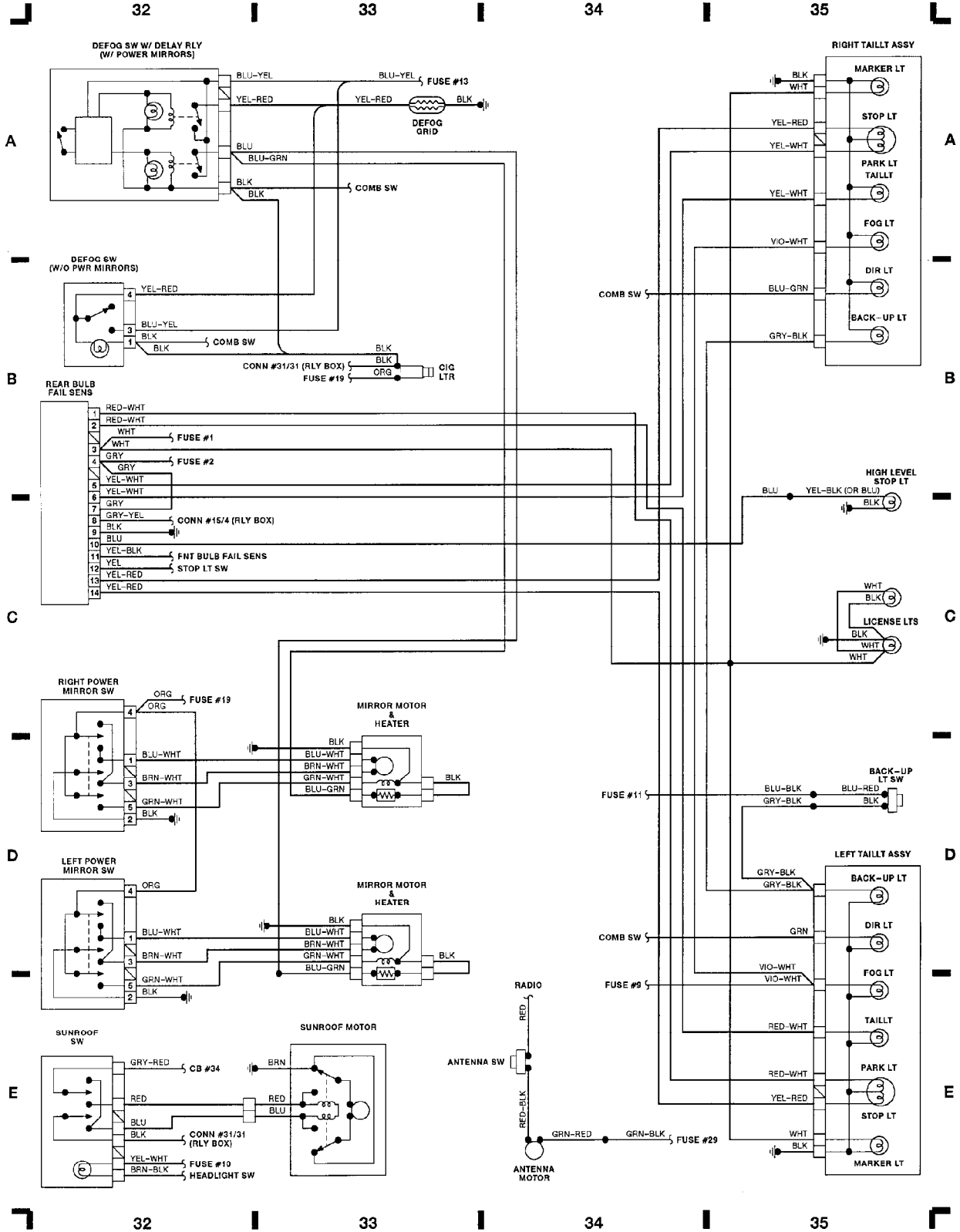
Fig. 9: Pwr Mir/Sunroof, Defog Sw, Taillights (Grids 32-35)

1991 Volvo 940

For x

Copyright © 1998 Mitchell Repair Information Company, LLC

Friday, July 23, 2004 10:22PM



WIRING DIAGRAMS - SE

Fig. 1: Engine Compartment & Headlights (Grids 1-3)

1991 Volvo 940

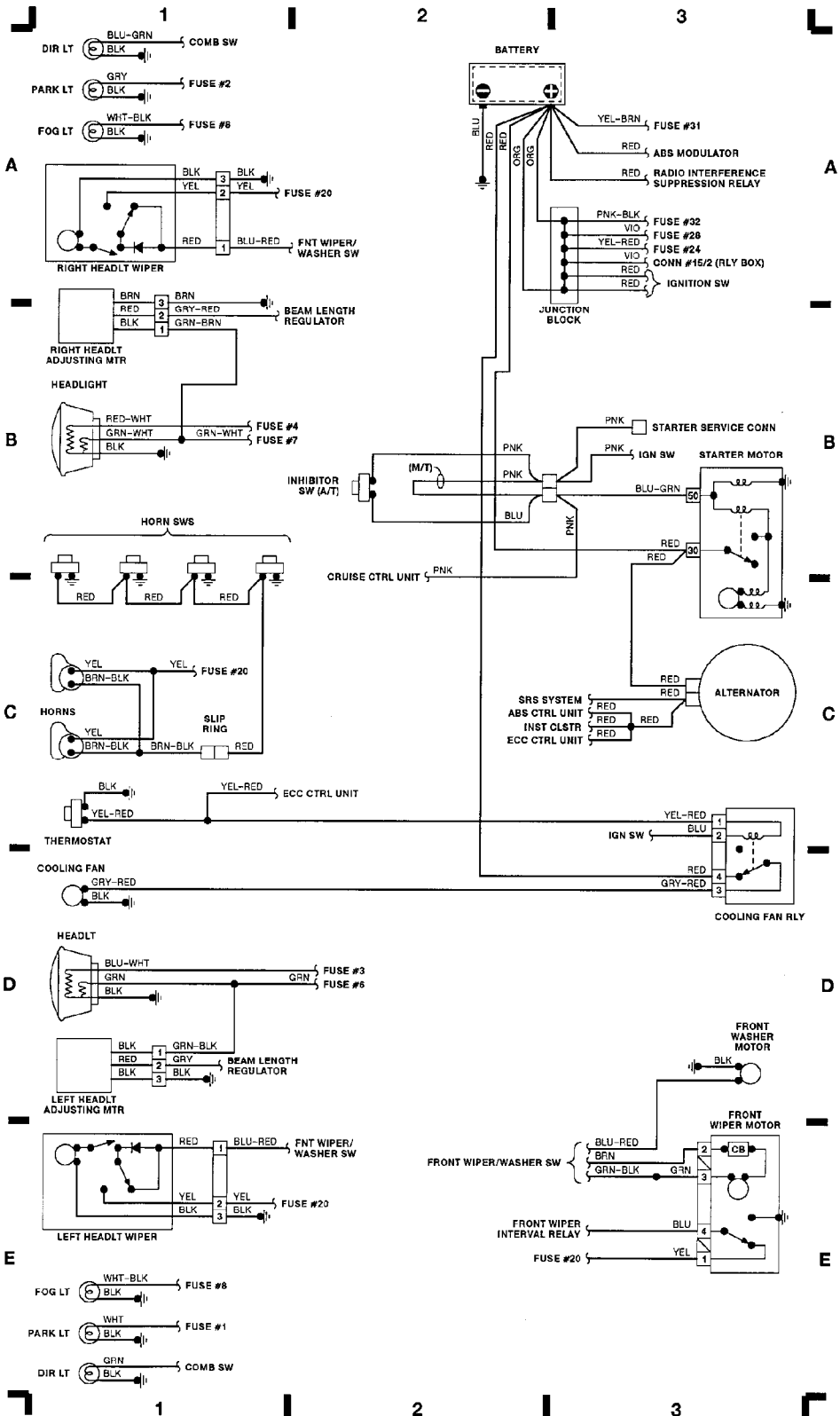
For x

Copyright © 1998 Mitchell Repair Information Company, LLC

Friday, July 23, 2004 10:22PM

COMPONENT LOCATOR:

ABS CTRL UNIT	A 21-22
ABS MODULATOR	A-C 23
ALTERNATOR	C 3
BACK-UP LT SW	D 35
BATTERY	A 2
BEAM LENGTH REGULATOR	A 15
CENTRAL LOCKING RELAY	E 31
CIG LTR LT	E 8
COMB SW	A-B 16
COOLING FAN RELAY	C 3
CRUISE CTRL SYSTEM	C 20-21
DOOR WARN LTS	D-E 20
ECC SYSTEM	C-E 12-15
EZK IGNITION SYSTEM ECU	D-E 4
FOG LT RELAY	B-C 16
FOG LT SW	C 18
FRONT BULB FAILURE SENS	C 31
FRONT WIPER INTERVAL RELAY	D 19
FRONT WIPER/WASHER MOTORS	D-E 3
FRONT WIPER/WASHER SW	C 19
FUEL INJ ECU (LH-JETRONIC)	A-B 4
FUEL PUMP (IN TANK)	D 7
FUEL PUMP (MAIN)	C 6
FUEL SYSTEM RELAY	B 7
FUSE BLOCK	A-E 9-10
GEAR SEL SW LT	E 9
GLOVE BOX LT & SW	E 16
HEADLT RELAY	B 19
HEADLT SW	A-B 19
HORNS	C 1
IGNITION COIL	C 4
IGNITION SW	C 12
INSTRUMENT CLUSTER	A-E 24-25
INTERIOR LTS	E 25-26
JUNCTION BLOCK	A 3
LEFT HEADLT ADJUSTING MOTOR	D 1
LH-1 HEADLT WIPER	C 28
LEFT SEAT HEATER SW & LT	C 28
O/C RELAY	D-E 27
POWER MIRROR SYSTEM	C-E 32-33
POWER SEAT SW	A-C 21
POWER WINDOW RELAY	D 16
POWER WINDOW SYSTEM	D-E 28-30
RADIO INTERFERENCE SUPPRESSION RELAY	D 7
REAR ASHTRAY LT	E 8
REAR BULB FAILURE SENS	B-C 32
REAR WINDOW DEFOGGER SYSTEM	A-B 32-33
REAR WIPER INTERVAL RELAY	E 17
REAR WIPER MOTOR	E 17
REAR WIPER/WASHER SW	D-E 16
RELAY BOX	A-B 12-14
RHEOSTAT & CLOCK ADJUSTER	C-D 27
RIGHT HEADLT ADJUSTING MOTOR	B 1
RIGHT HEADLT WIPER	A 1
RIGHT SEAT HTR SW & LT	B 28
SEAT HEATER SW LT	E 9
SHIFT LOCK SYSTEM	E 26-27
SPEED SENS	C 27
SRS SYSTEM	C 22-23
STARTER	B 3
STOP LT SW	D 20
TRANSIENT SURGE PROTECTOR	B 20
VANITY MIRROR LTS	E 16



WIRING DIAGRAMS - SE

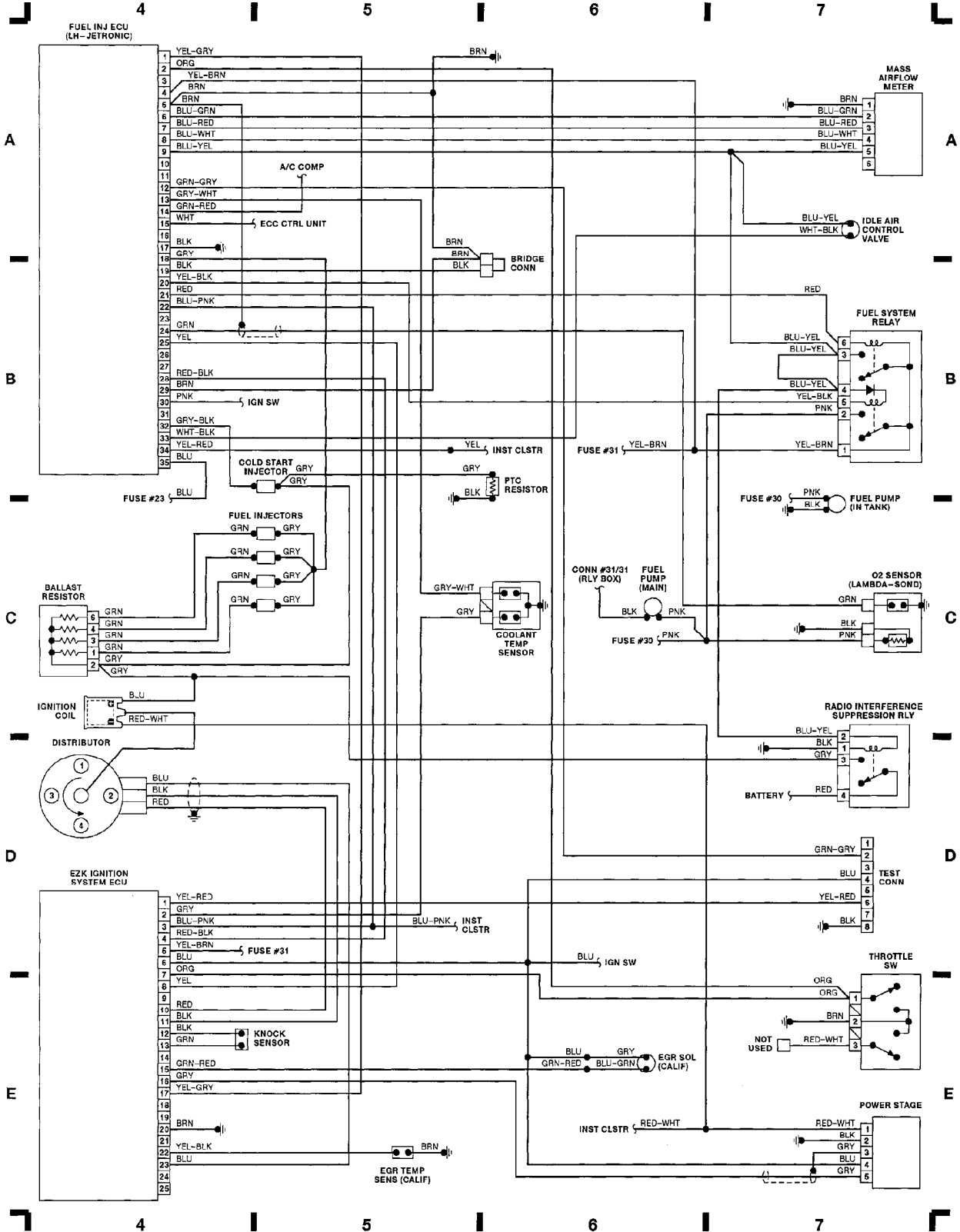
Fig. 2: Compr Eng Ctrl (LH-Jetronic), EZK Ign (Grids 4-7)

1991 Volvo 940

For x

Copyright © 1998 Mitchell Repair Information Company, LLC

Friday, July 23, 2004 10:22PM



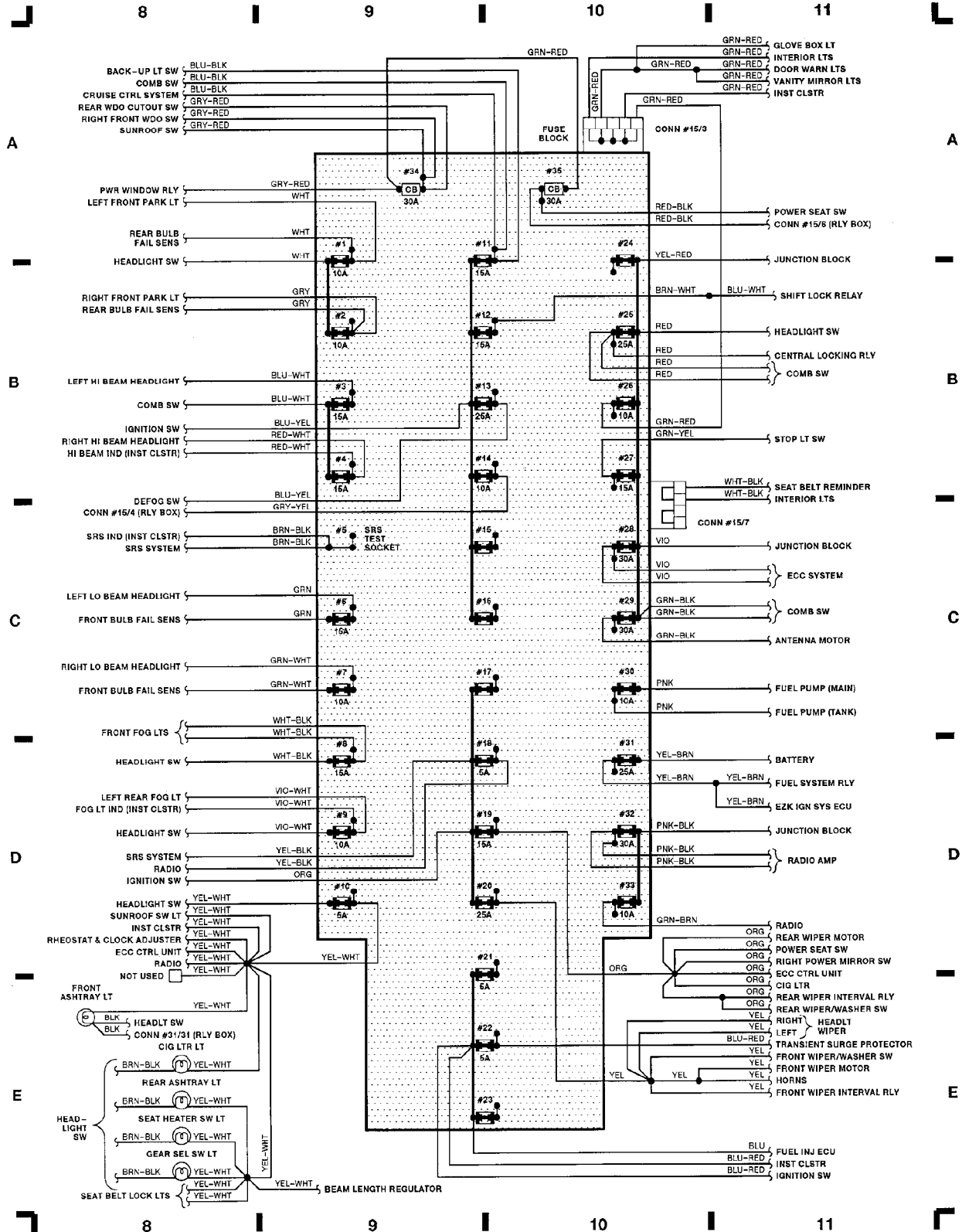
WIRING DIAGRAMS - SE

Fig. 3: Fuse Block (Grids 8-11)

1991 Volvo 940

For x

Copyright © 1998 Mitchell Repair Information Company, LLC
Friday, July 23, 2004 10:22PM



WIRING DIAGRAMS - SE

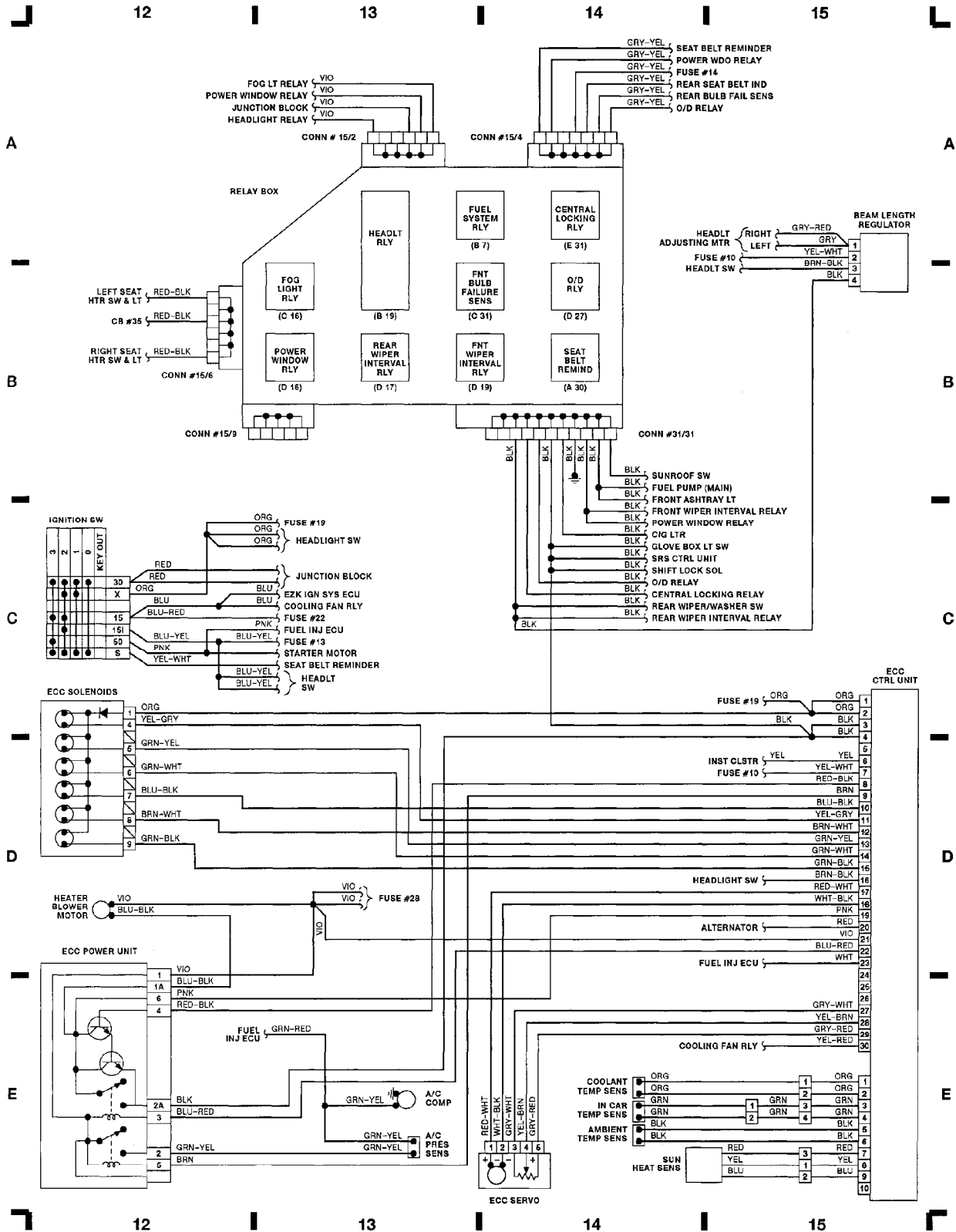
Fig. 4: Relay Box, Ign Sw, ECC (Grids 12-15)

1991 Volvo 940

For x

Copyright © 1998 Mitchell Repair Information Company, LLC

Friday, July 23, 2004 10:22PM



WIRING DIAGRAMS - SE

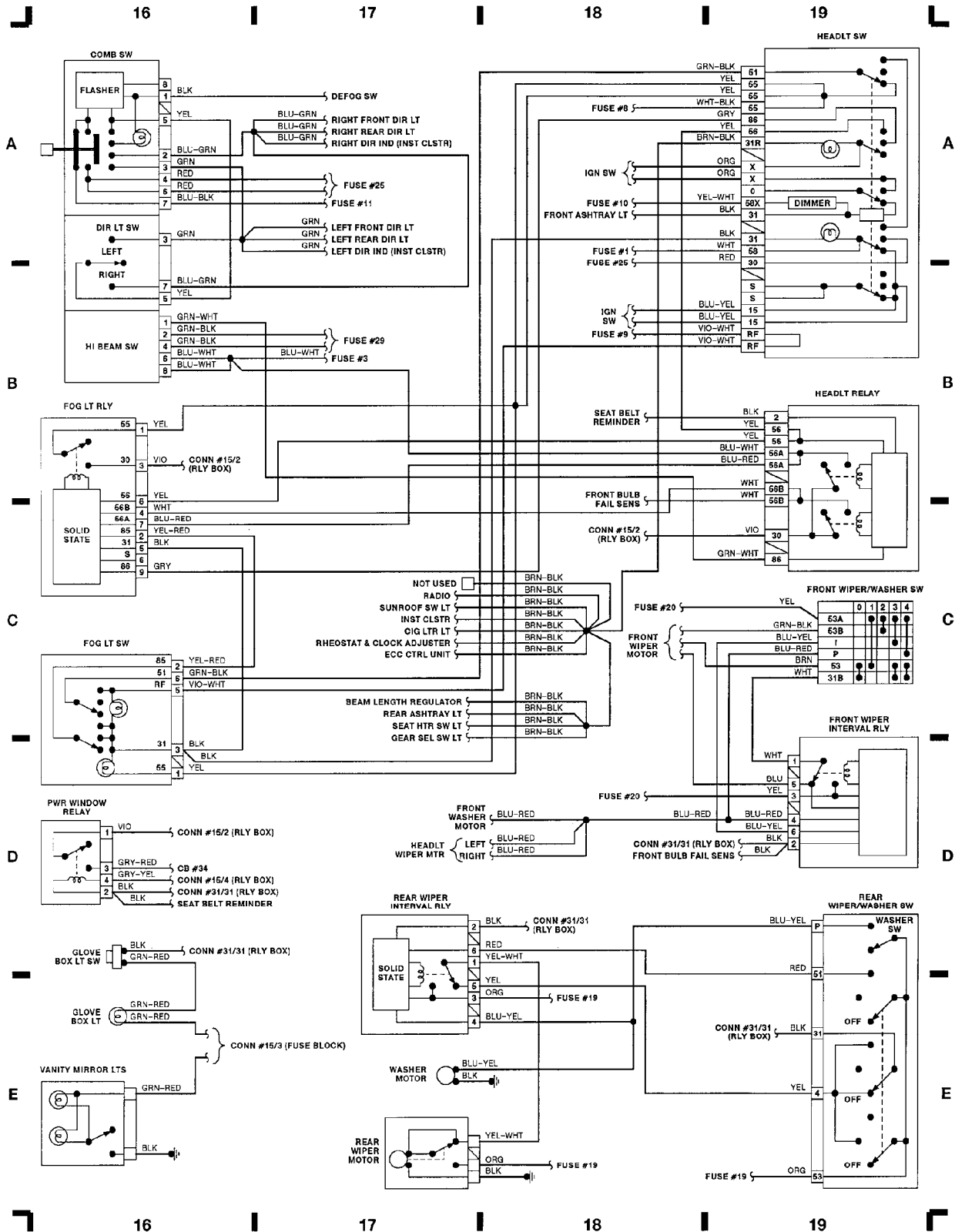
Fig. 5: Comb Sw, Pwr Window, Wiper/Washer, Headlt Sw (Grids 16-19)

1991 Volvo 940

For x

Copyright © 1998 Mitchell Repair Information Company, LLC

Friday, July 23, 2004 10:22PM



WIRING DIAGRAMS - SE

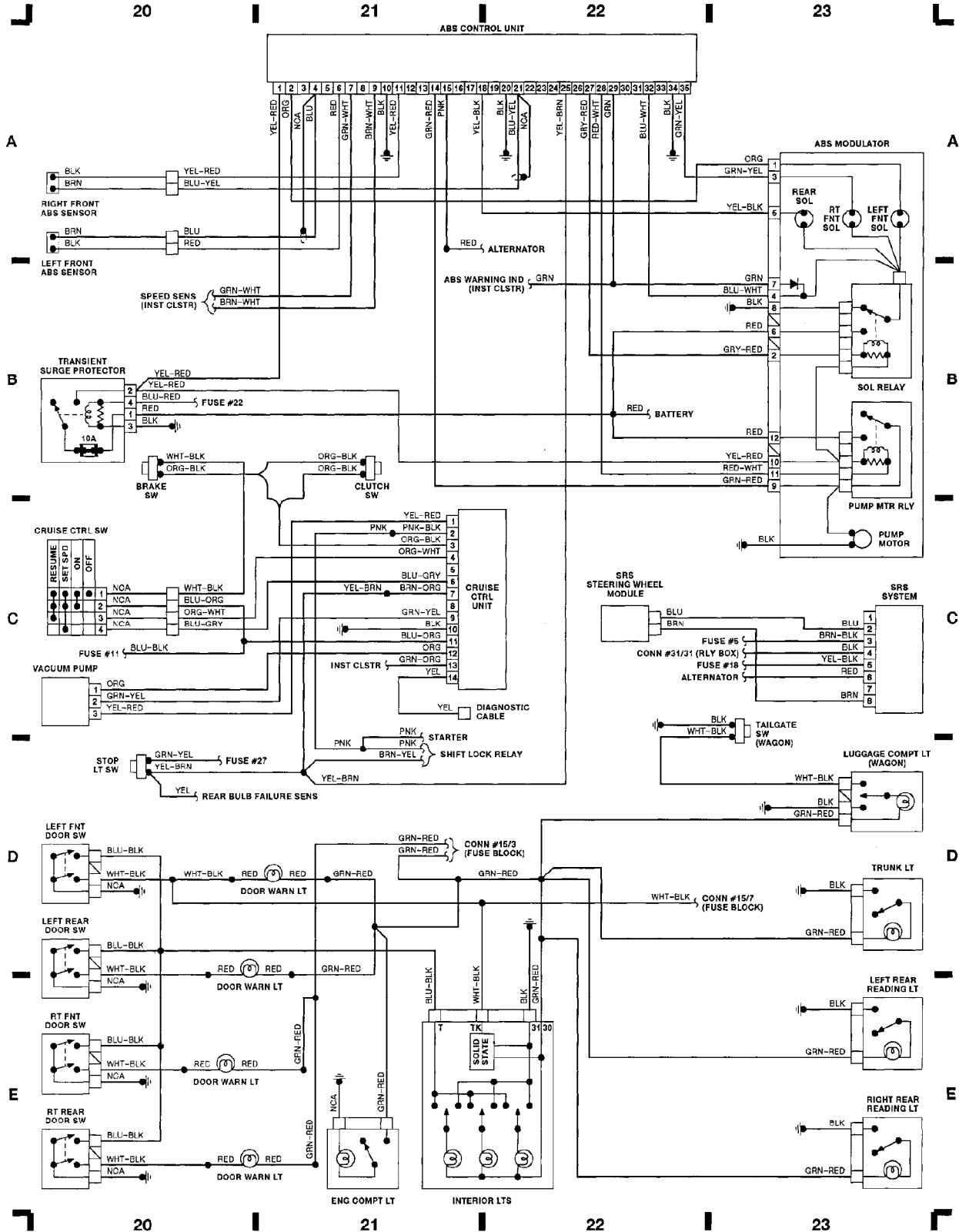
Fig. 6: ABS, SRS, Cruise Ctrl, Pwr Door, Inter Lts (Grids 20-23)

1991 Volvo 940

For x

Copyright © 1998 Mitchell Repair Information Company, LLC

Friday, July 23, 2004 10:22PM



WIRING DIAGRAMS - SE

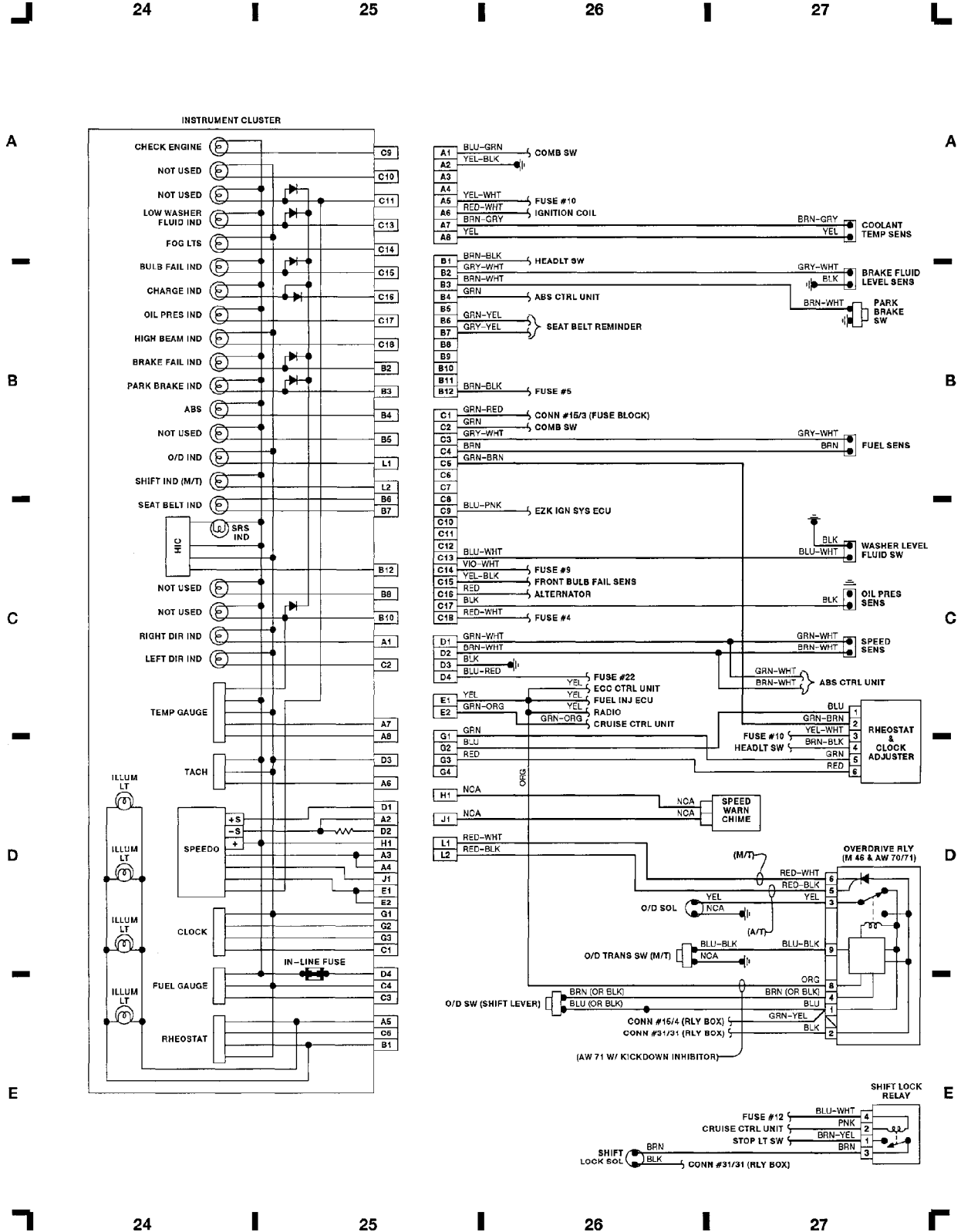
Fig. 7: Inst Cluster, O/D Relay, Rheostat (Grids 24-27)

1991 Volvo 940

For x

Copyright © 1998 Mitchell Repair Information Company, LLC

Friday, July 23, 2004 10:22PM



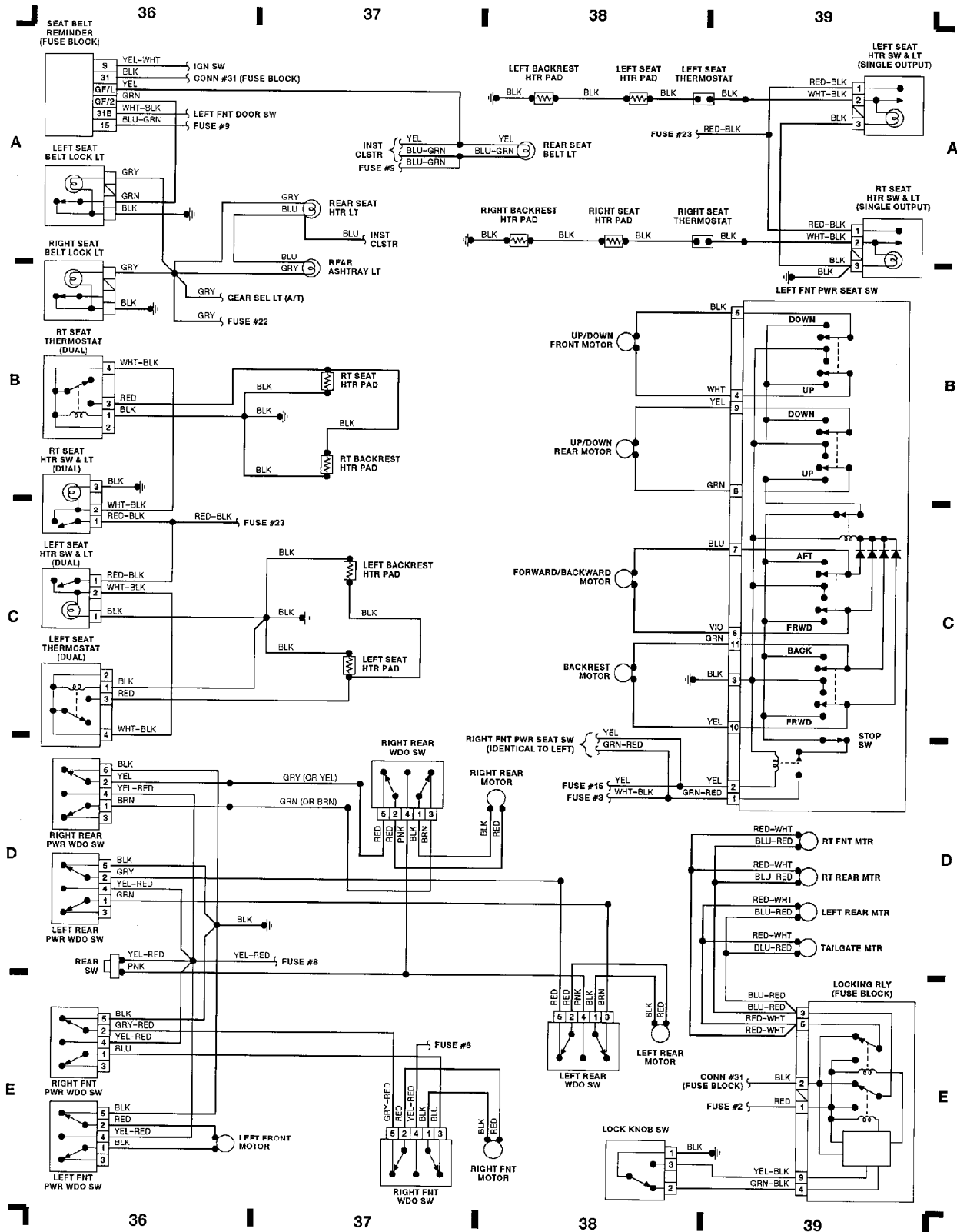
WIRING DIAGRAMS - TURBO

Fig. 10: Pwr Windows/Heated Seats (Grid 36-39)

1991 Volvo 940

For x

Copyright © 1998 Mitchell Repair Information Company, LLC
Friday, July 23, 2004 10:23PM



WIRING DIAGRAMS - TURBO

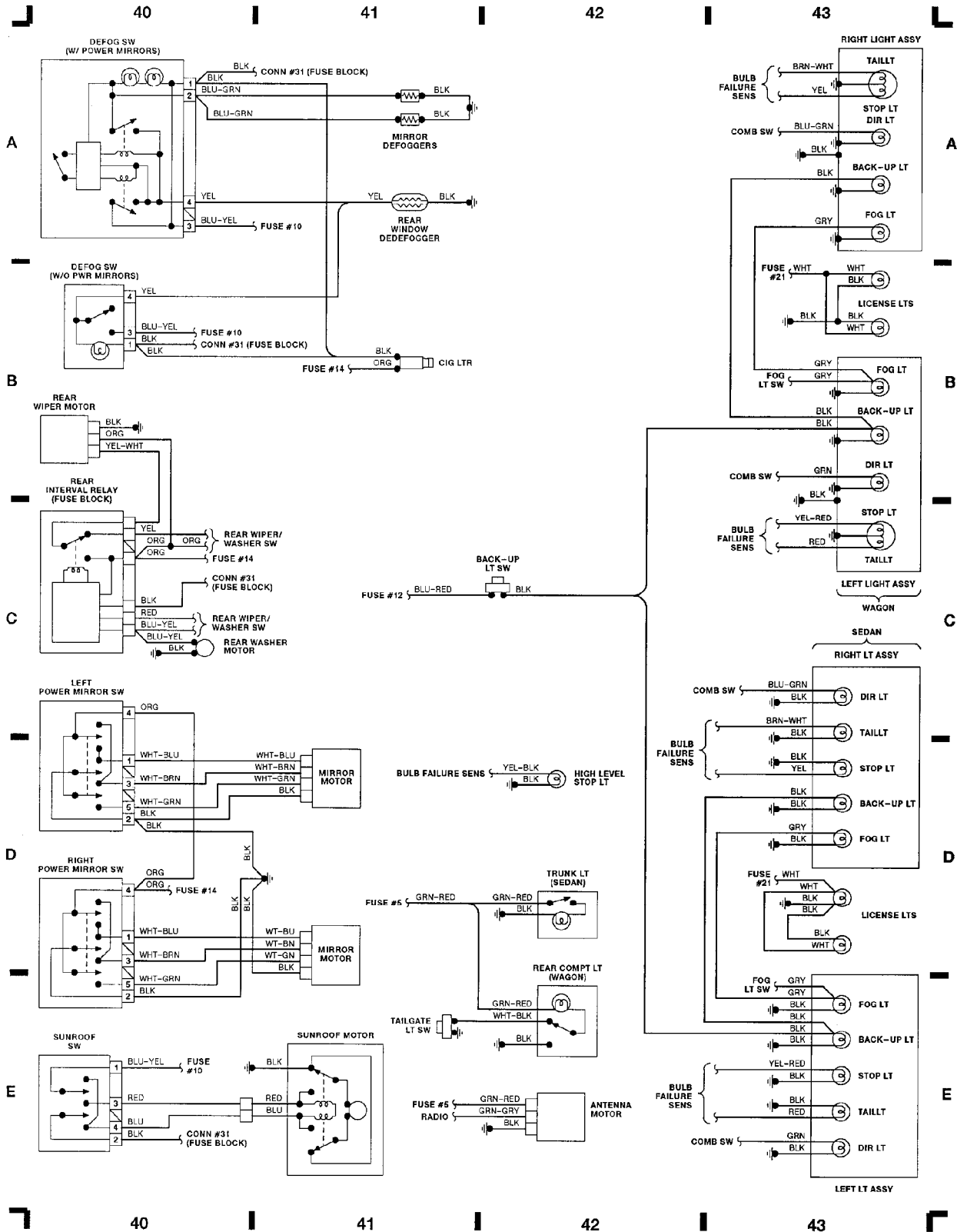
Fig. 11: Power Mirror, Defog Sw, Taillights (Grids 40-43)

1991 Volvo 940

For x

Copyright © 1998 Mitchell Repair Information Company, LLC

Friday, July 23, 2004 10:23PM



WIRING DIAGRAMS - TURBO

Fig. 1: Engine Compartment & Headlights (Grids 1-3)

1991 Volvo 940

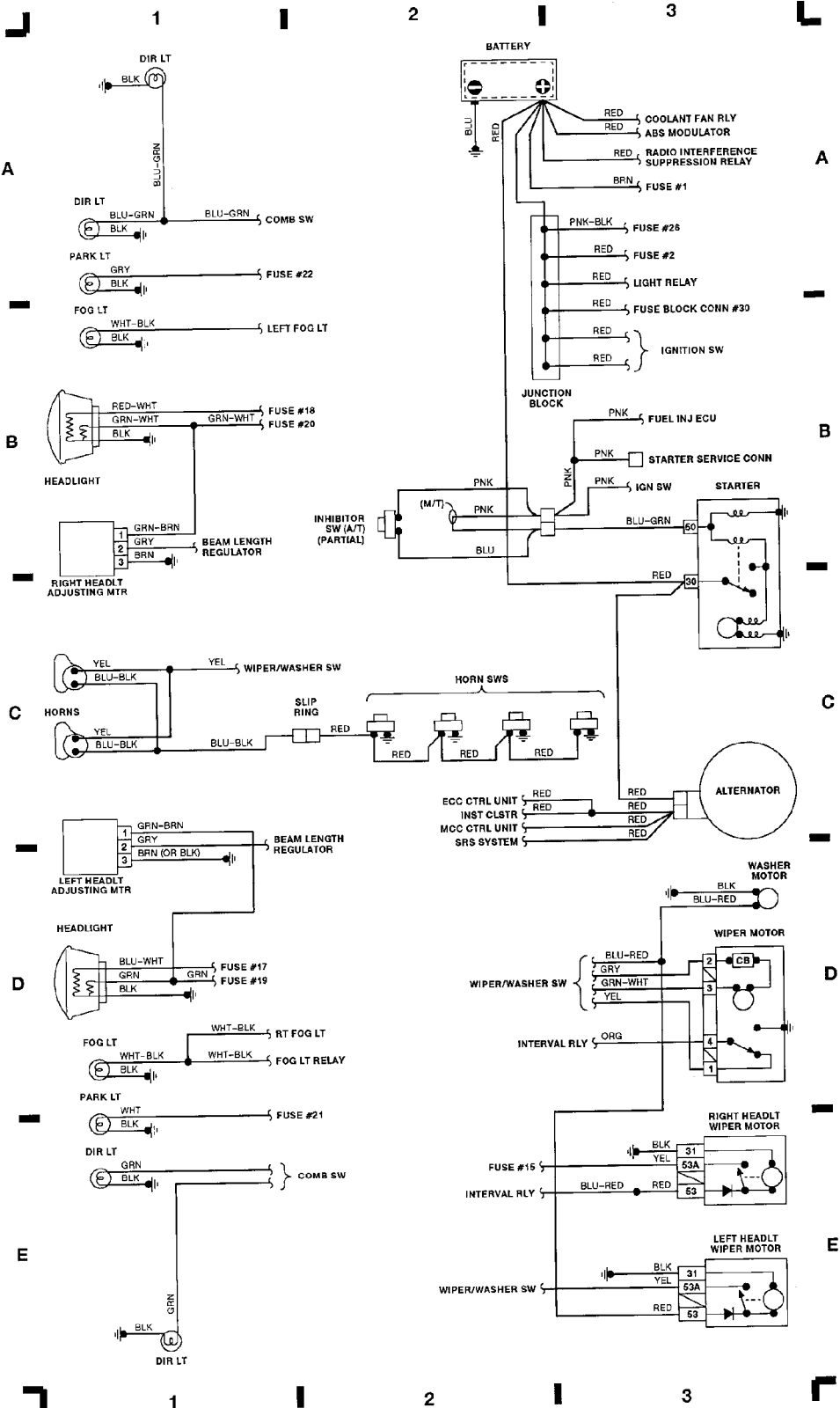
For x

Copyright © 1998 Mitchell Repair Information Company, LLC

Friday, July 23, 2004 10:23PM

COMPONENT LOCATOR:

ABS CTRL UNIT	A 29-30
ABS MODULATOR	A C 31
ALTERNATOR	C 3
BACK-UP LT SW	C 42
BATTERY	A 2
BEAM LENGTH REGULATOR	A 19
BULB FAILURE SENS	E 24
CB LTR	B 41
COMB SW	A-C 24
COOLANT FAN RELAY	A 18-18
COURTESY LTS	C 24
CRUISE CTRL SYS	C-J 28-30
DEFOG SYS	A-B 40-41
DOOR LTS	D 24
ECC CTRL UNIT	C-E 23
ECC POWER UNIT	E 20
FLASHER RELAY	A 27
FOG LT RELAY	E 28
FOG LT SW	D-E 28
FUEL INJ ECU (CALIF)	A-C 4
FUEL INJ ECU (REGINA)	A-C 12
FUEL INJ ECU (TURBO)	A-B 8
FUEL PUMP (IN TANK) (CALIF)	D 4
FUEL PUMP (IN TANK) (TURBO)	C 11
FUEL PUMP (MAIN) (CALIF)	D 12
FUEL PUMP (MAIN) (TURBO)	C 11
FUEL PUMP (REGINA)	D 12
FUEL SYS RELAY (CALIF)	C 4
FUEL SYS RELAY (REGINA)	C 12
FUEL SYS RELAY (TURBO)	B 11
FUSE/RELAY BLOCK (PARTIAL)	B-D 16-19
GEAR SEL LT	D 35
GLOVE BOX LT	C 20
HEATER CTRL SW	C 20
HIGH LEVEL STOP LT	D 42
HORN & HORN SWS	E 6
IGN COIL (CALIF)	E 15
IGN COIL (REGINA)	C 8
IGN COIL (TURBO)	E 16
IGN SW	C-D 7
IGN SYS ECU (CALIF)	C-D 15
IGN SYS ECU (REGINA)	D-E 8
IGN SYS ECU (TURBO)	D-E 8
INHIBITOR SW (A/T)	A-E 32-33
INST CLSTR	E 35
INTVL RELAY	D 27
JUNCTION BLOCK	A-B 2-3
LEFT FRONT DOOR SW	C 26
LEFT HEADLT ADJUSTING MOTOR	C-D 1
LEFT HEADLT WIPER MOTOR	E 3
LIGHT RELAY	B-C 27
LIGHT SW	A-B 27
LOCKING RELAY	D-E 30-39
MCC CTRL UNIT	B-C 23
O/D RELAY (A/T)	B 20
O/D RELAY (M/T)	A 20
O2 SENS (CALIF)	C 7
O2 SENS (REGINA)	C 15
POWER ANTENNA MOTOR	E 42
POWER MIRROR SYS	C-E 40-41
POWER SEAT SW	B-D 36-39
POWER WINDOW SYS	D-E 36-39
POWER WINDOW/HEATED SEAT RELAY	C 29
RADIO INTERFERENCE SUPPRESSION RELAY (CALIF)	B 7
RADIO INTERFERENCE SUPPRESSION RELAY (TURBO)	D 11
REAR INTERVAL RELAY	C 40
REAR WIPER/WASHER SW	D-E 27
RHEOSTAT & CLOCK ADJUSTER	C-D 35
RIGHT HEADLT ADJUSTING MOTOR	B 1
RIGHT HEADLT WIPER MOTOR	E 3
SEAT BELT LOCK LTS	A-B 36
SEAT BELT REMINDER	A 36
SEAT HEATER SYS (DUAL)	B-C 36-37
SEAT HEATER SYS (SINGLE OUTPUT)	A 36-39
SHIFT LOCK SYS	E 31
SRS SYS	C-D 31
STARTER	B-C 2
STOP LT SW	D 28
SUNROOF SYS	E 40-41
TRANSIENT SURGE PROTECTOR	B 28
TRUNK LT	D-E 41-42
WIPER MOTOR	D 3
WIPER/WASHER SW	C 27



WIRING DIAGRAMS - TURBO

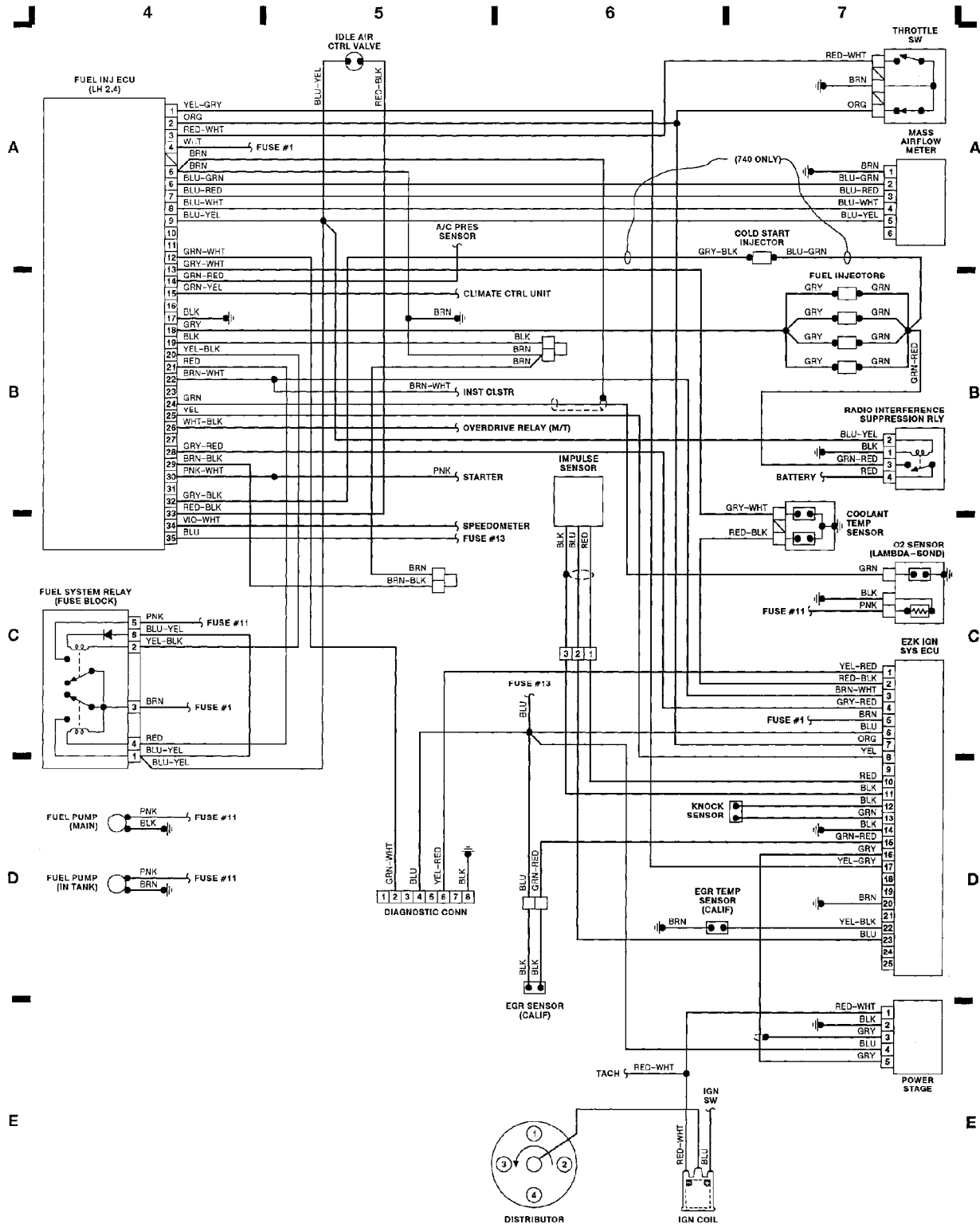
Fig. 2: Computer Engine Control (Calif.) (Grids 4-7)

1991 Volvo 940

For x

Copyright © 1998 Mitchell Repair Information Company, LLC

Friday, July 23, 2004 10:23PM



WIRING DIAGRAMS - TURBO

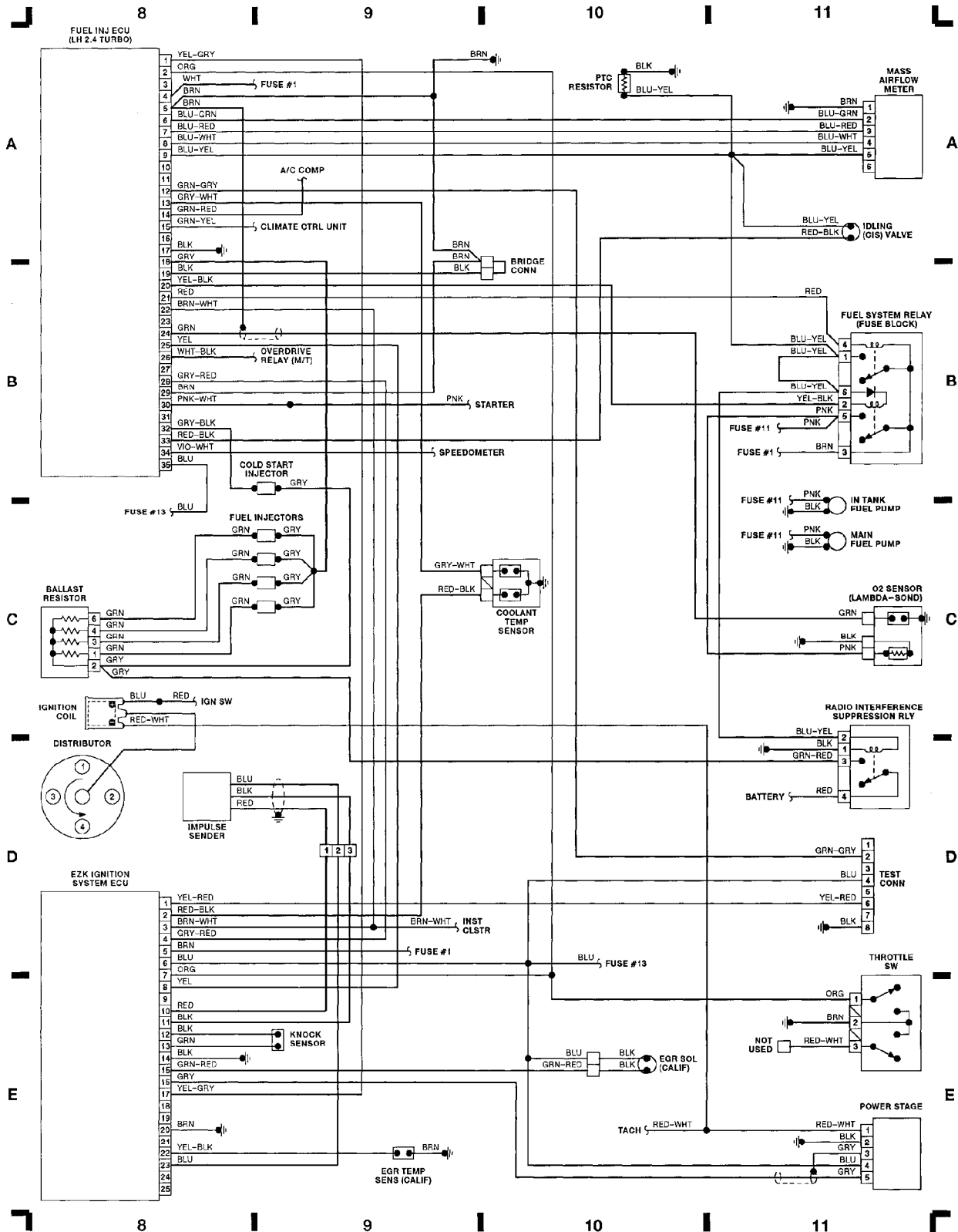
Fig. 3: Computer Eng Control (Turbo) (Grids 8-11)

1991 Volvo 940

For x

Copyright © 1998 Mitchell Repair Information Company, LLC

Friday, July 23, 2004 10:23PM

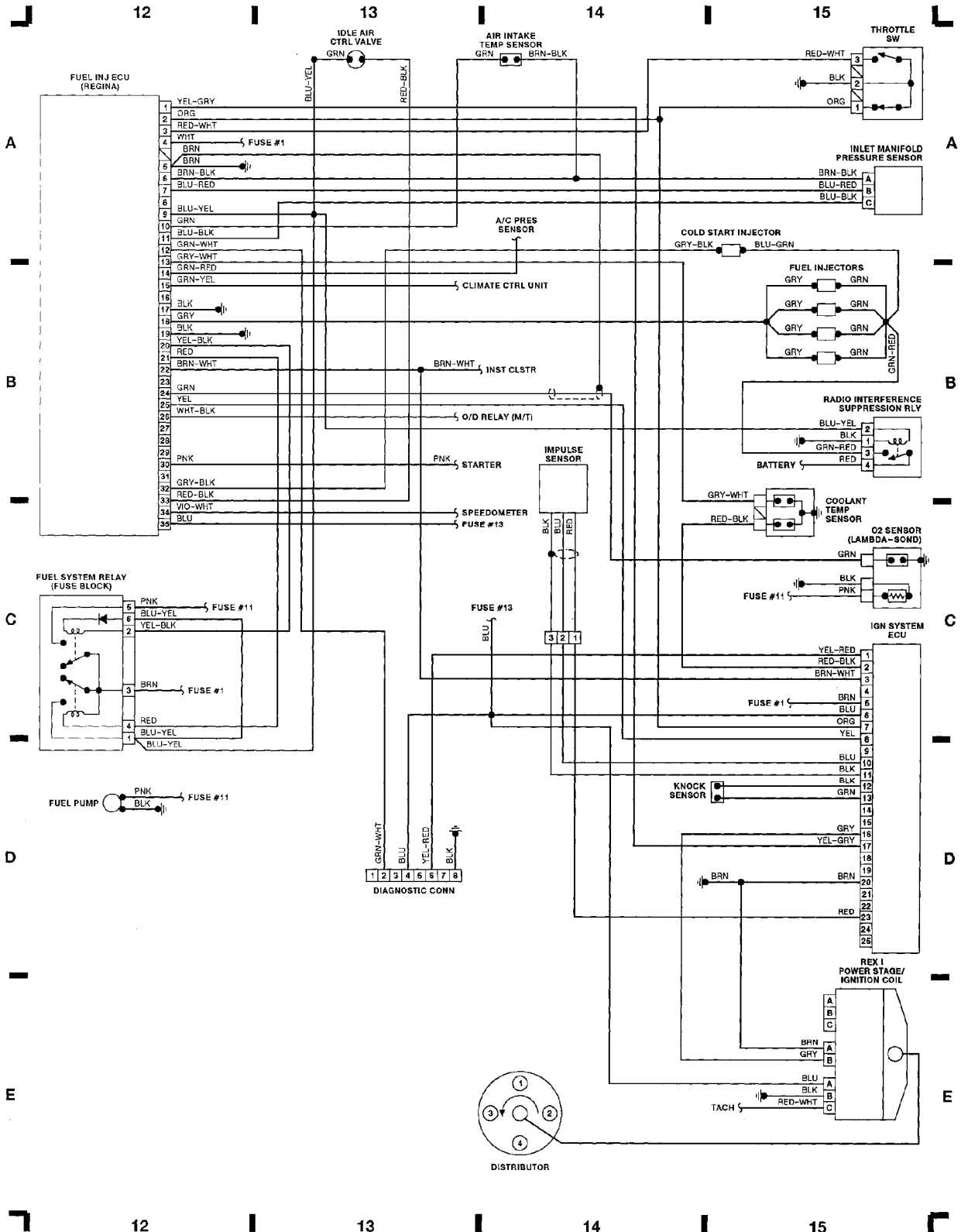


WIRING DIAGRAMS - TURBO

Fig. 4: Computer Eng Control (Regina) (Grids 12-15)

1991 Volvo 940

For x
Copyright © 1998 Mitchell Repair Information Company, LLC
Friday, July 23, 2004 10:23PM



WIRING DIAGRAMS - TURBO

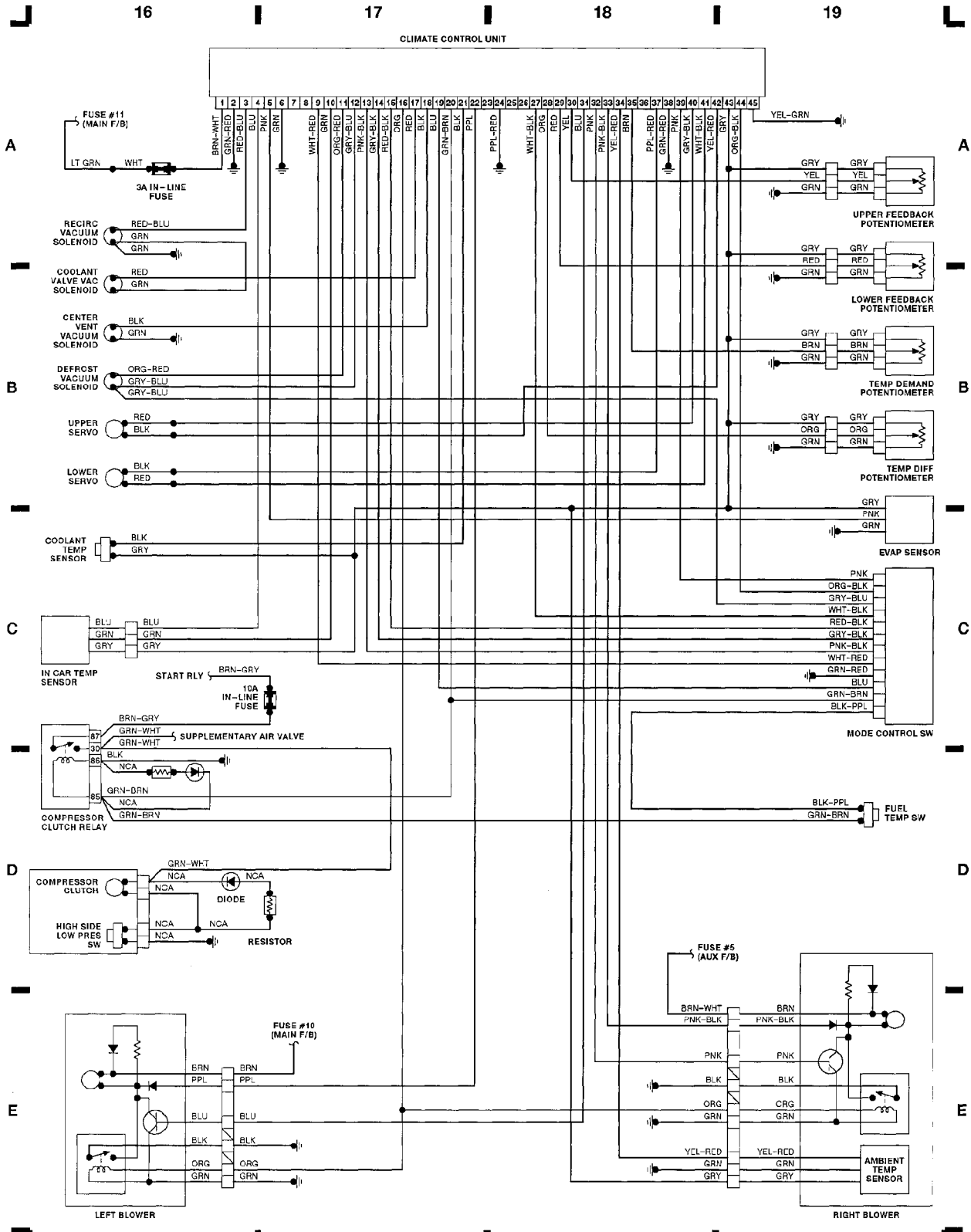
Fig. 5: Fuse/Relay Block (Partial), Ignition Sw (Grids 16-19)

1991 Volvo 940

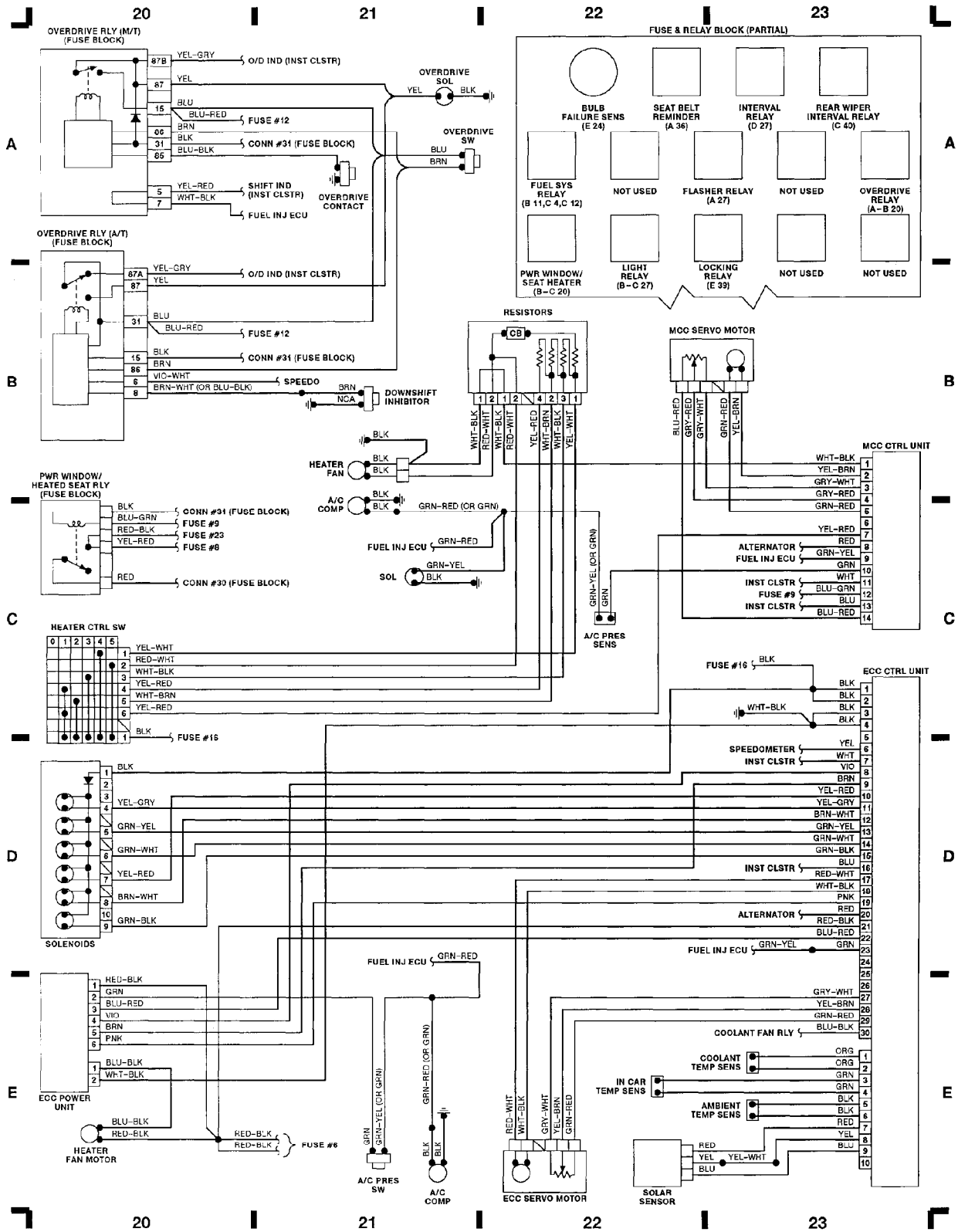
For x

Copyright © 1998 Mitchell Repair Information Company, LLC

Friday, July 23, 2004 10:23PM



WIRING DIAGRAMS - TURBO
Fig. 6: ECC Ctrl Unit, MCC Ctrl Unit (Grids 20-23)
 1991 Volvo 940
 For x
 Copyright © 1998 Mitchell Repair Information Company, LLC
 Friday, July 23, 2004 10:23PM



WIRING DIAGRAMS - TURBO

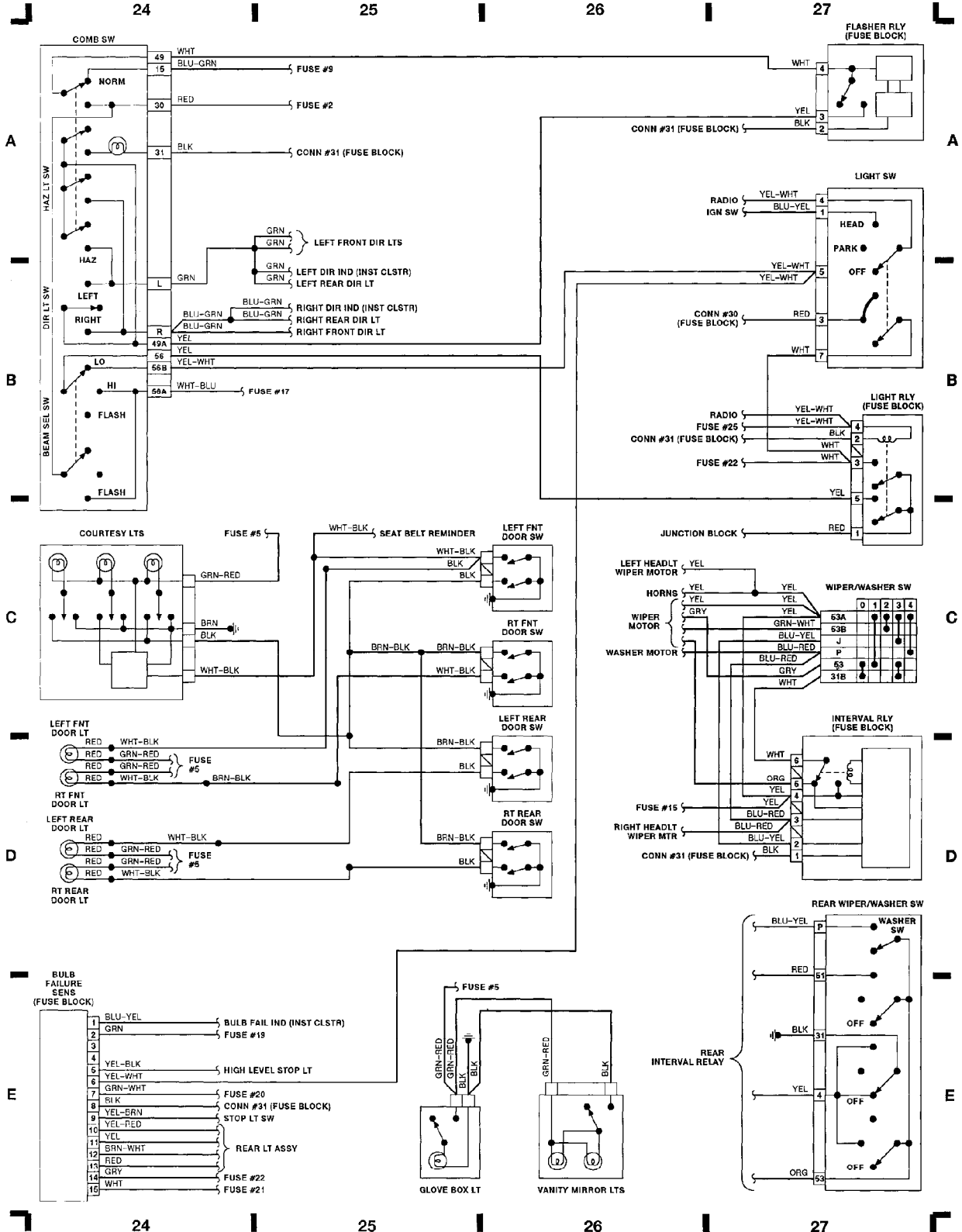
Fig. 7: Comb Sw, Wiper/Washer Sw, Courtesy Sw (Grids 24-27)

1991 Volvo 940

For x

Copyright © 1998 Mitchell Repair Information Company, LLC

Friday, July 23, 2004 10:23PM



WIRING DIAGRAMS - TURBO

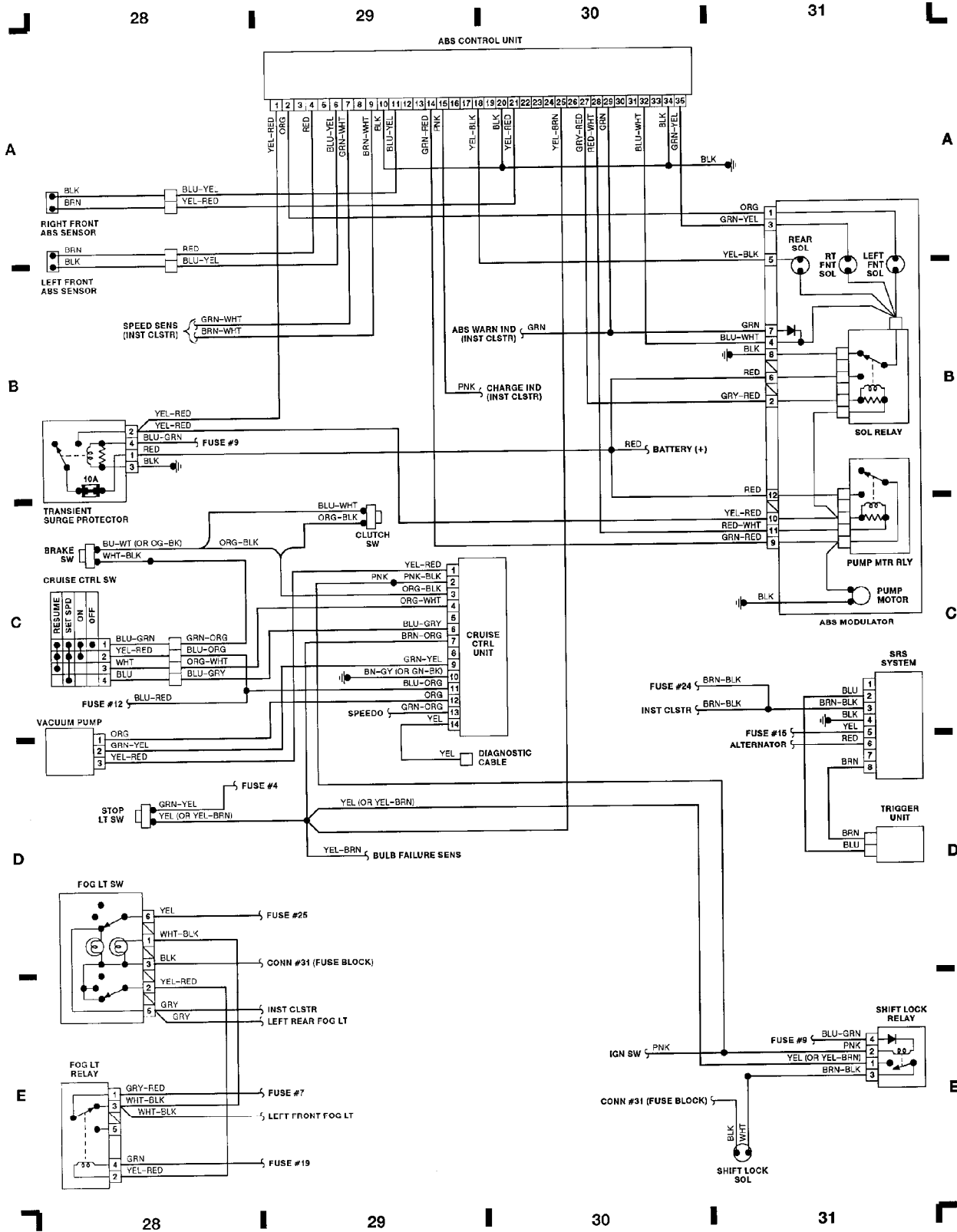
Fig. 8: ABS Ctrl, Cruise Ctrl, Trans Surge Protector (Grids 28-31)

1991 Volvo 940

For x

Copyright © 1998 Mitchell Repair Information Company, LLC

Friday, July 23, 2004 10:23PM



WIRING DIAGRAMS - TURBO

Fig. 9: Inst Cluster, Rheostat (Grids 32-35)

1991 Volvo 940
For x
Copyright © 1998 Mitchell Repair Information Company, LLC
Friday, July 23, 2004 10:23PM

