

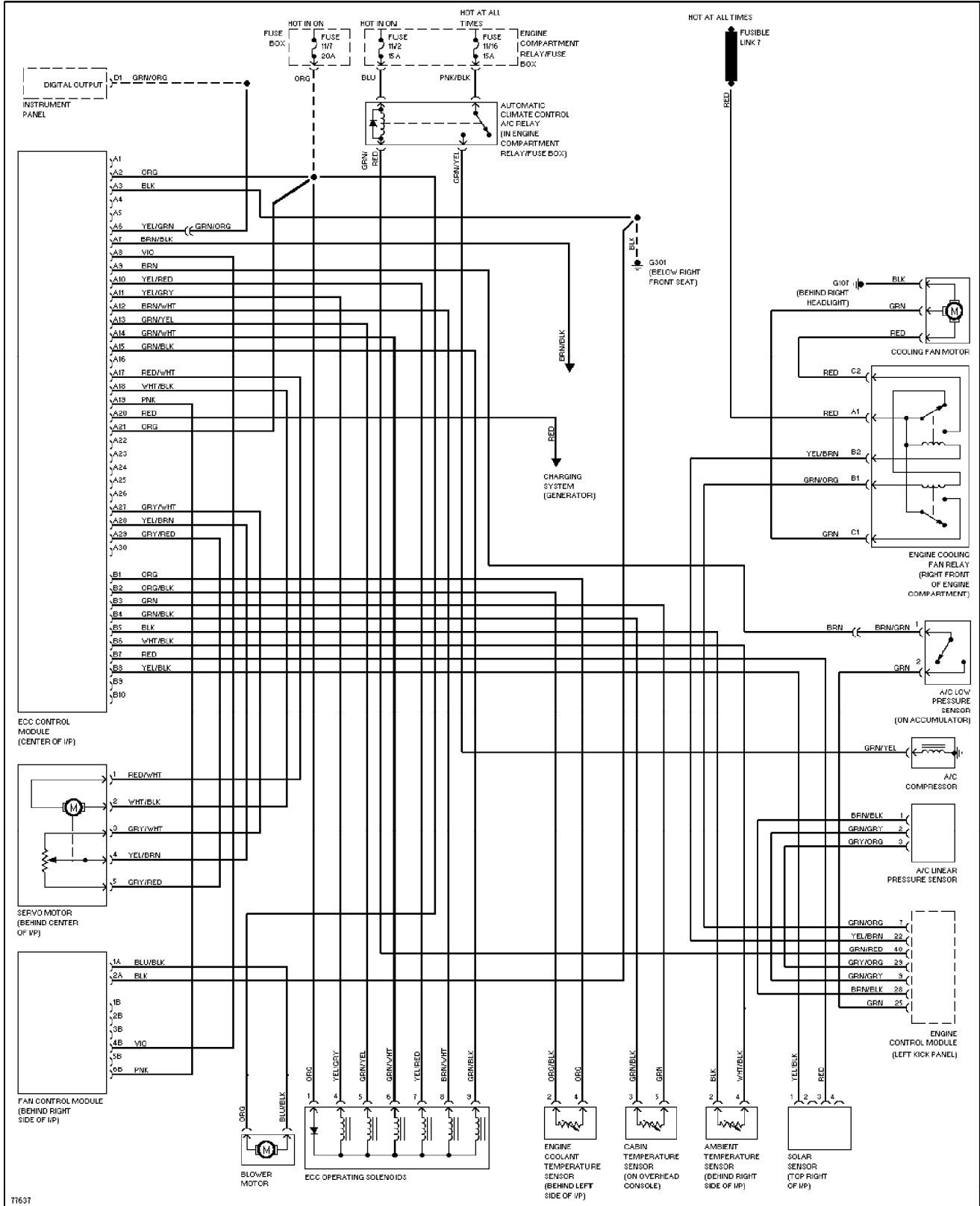
SYSTEM WIRING DIAGRAMS

Air Conditioning Circuits

1996 Volvo 960

For x

Copyright © 1998 Mitchell Repair Information Company, LLC
Saturday, July 24, 2004 11:06AM



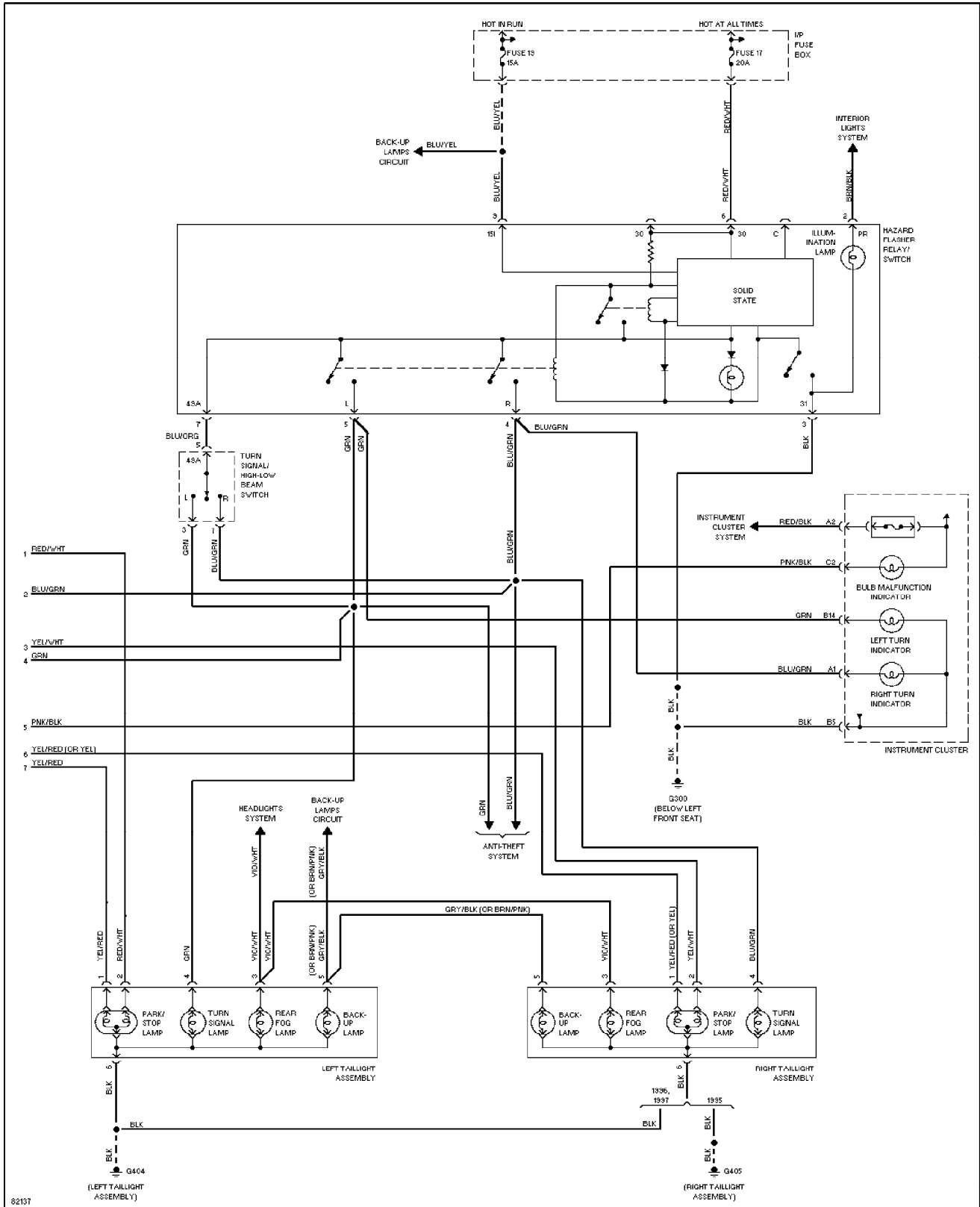
SYSTEM WIRING DIAGRAMS

Exterior Lamps Circuit, Wagon (2 of 2)

1996 Volvo 960

For x

Copyright © 1998 Mitchell Repair Information Company, LLC
 Saturday, July 24, 2004 11:07AM



SYSTEM WIRING DIAGRAMS

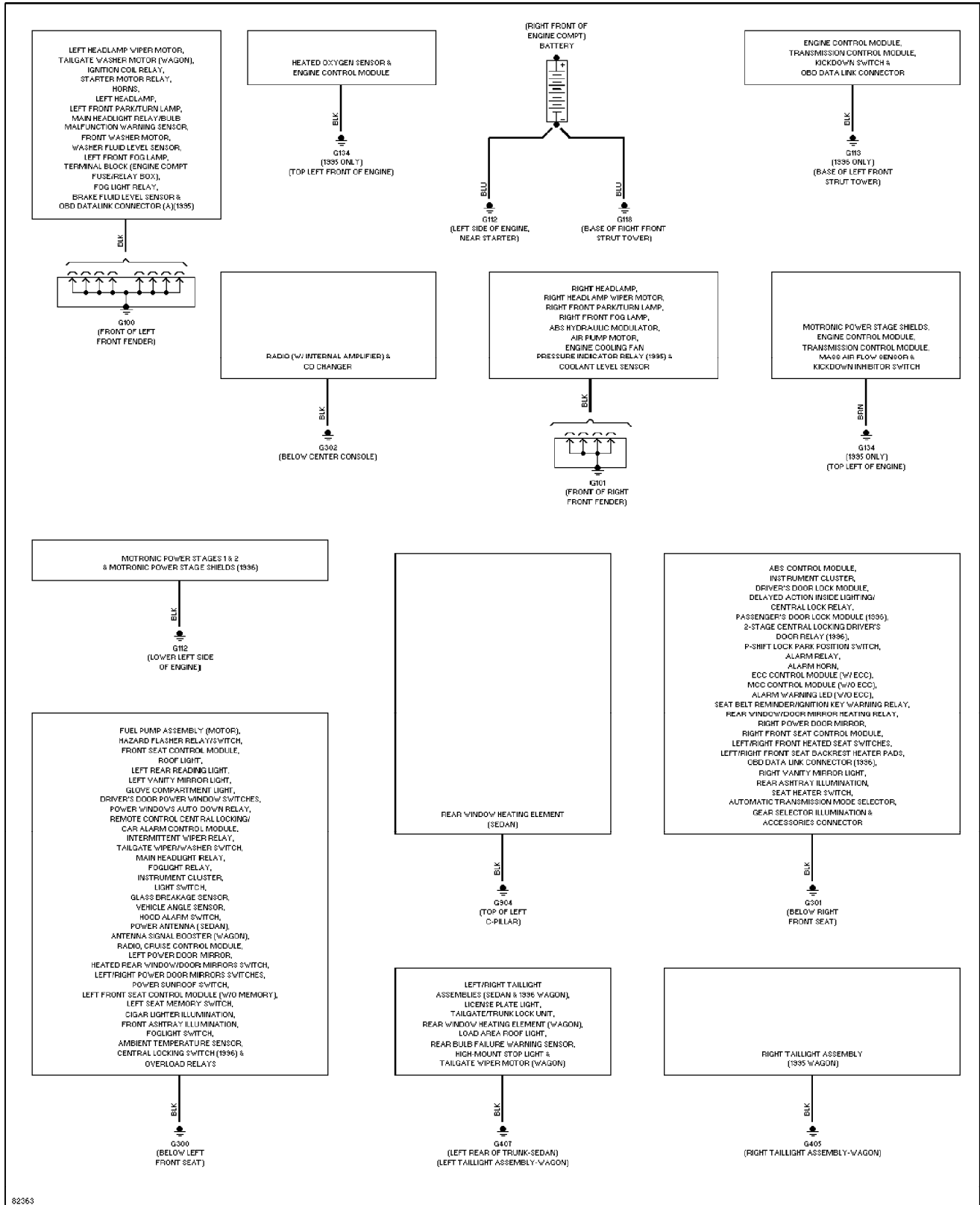
Ground Distribution Circuit

1996 Volvo 960

For x

Copyright © 1998 Mitchell Repair Information Company, LLC

Saturday, July 24, 2004 11:07AM



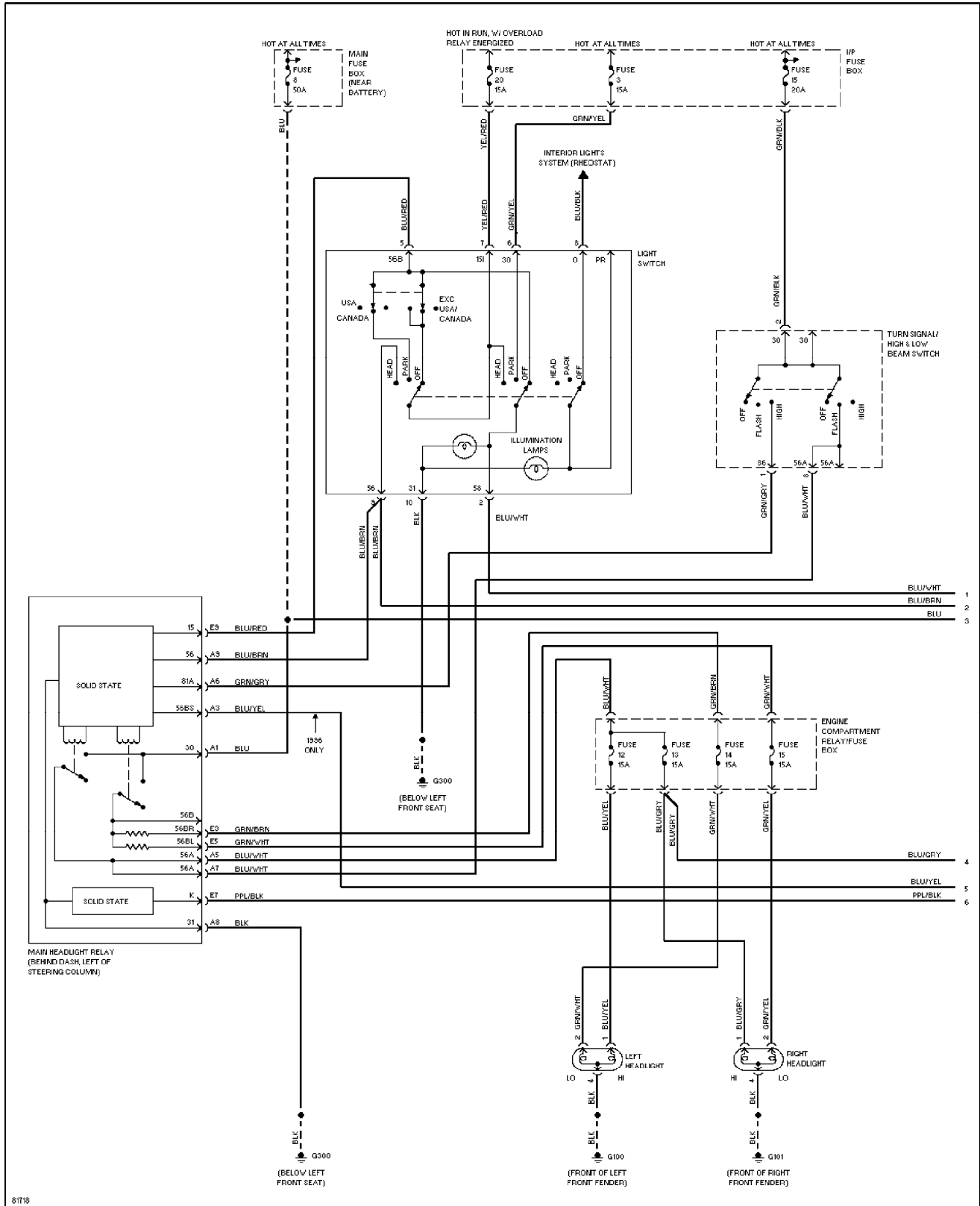
SYSTEM WIRING DIAGRAMS

Headlamps/Fog Lamps Circuit (1 of 2)

1996 Volvo 960

For x

Copyright © 1998 Mitchell Repair Information Company, LLC
Saturday, July 24, 2004 11:07AM



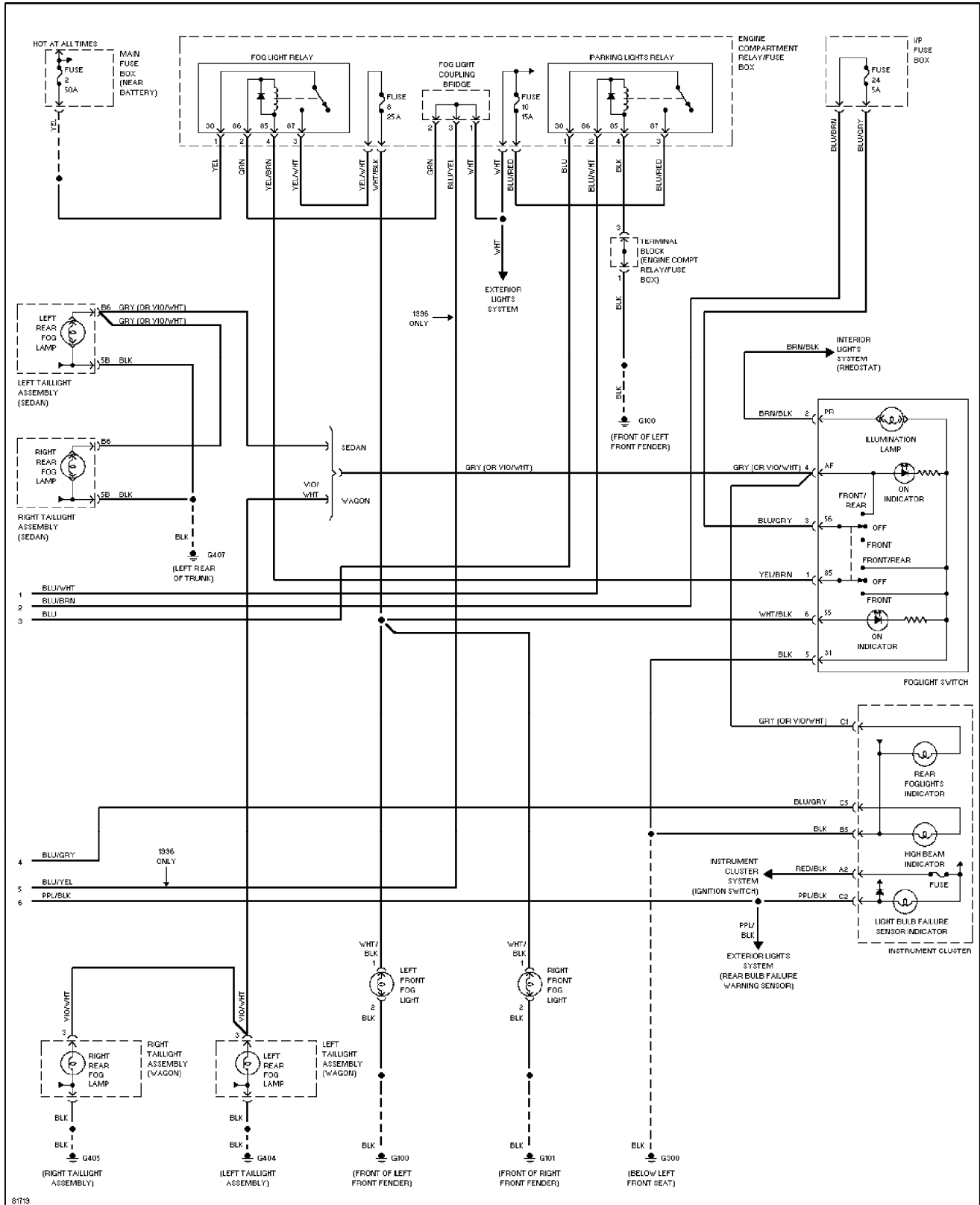
SYSTEM WIRING DIAGRAMS

Headlamps/Fog Lamps Circuit (2 of 2)

1996 Volvo 960

For x

Copyright © 1998 Mitchell Repair Information Company, LLC
Saturday, July 24, 2004 11:07AM



SYSTEM WIRING DIAGRAMS

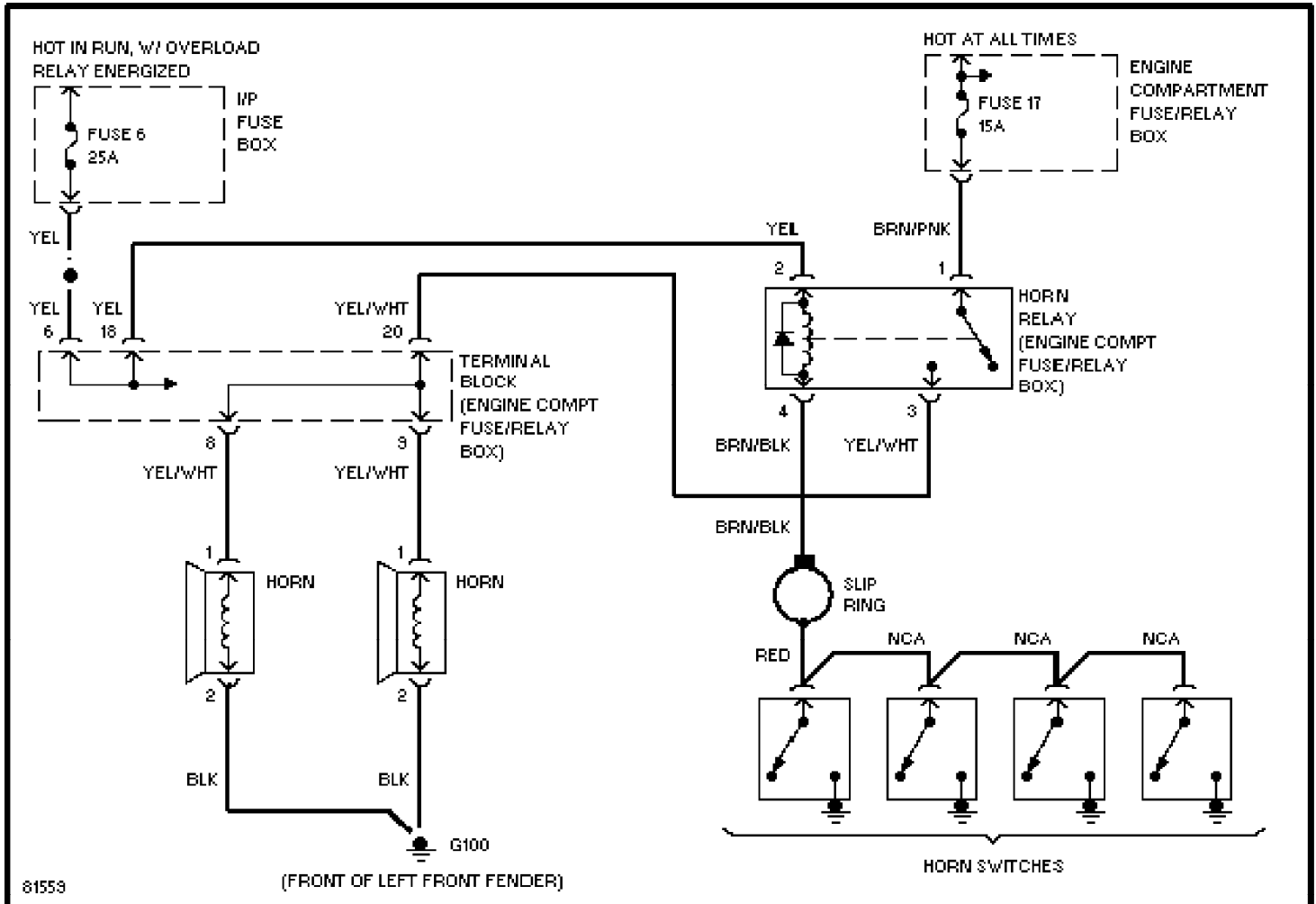
Horn Circuit

1996 Volvo 960

For x

Copyright © 1998 Mitchell Repair Information Company, LLC

Saturday, July 24, 2004 11:07AM



SYSTEM WIRING DIAGRAMS

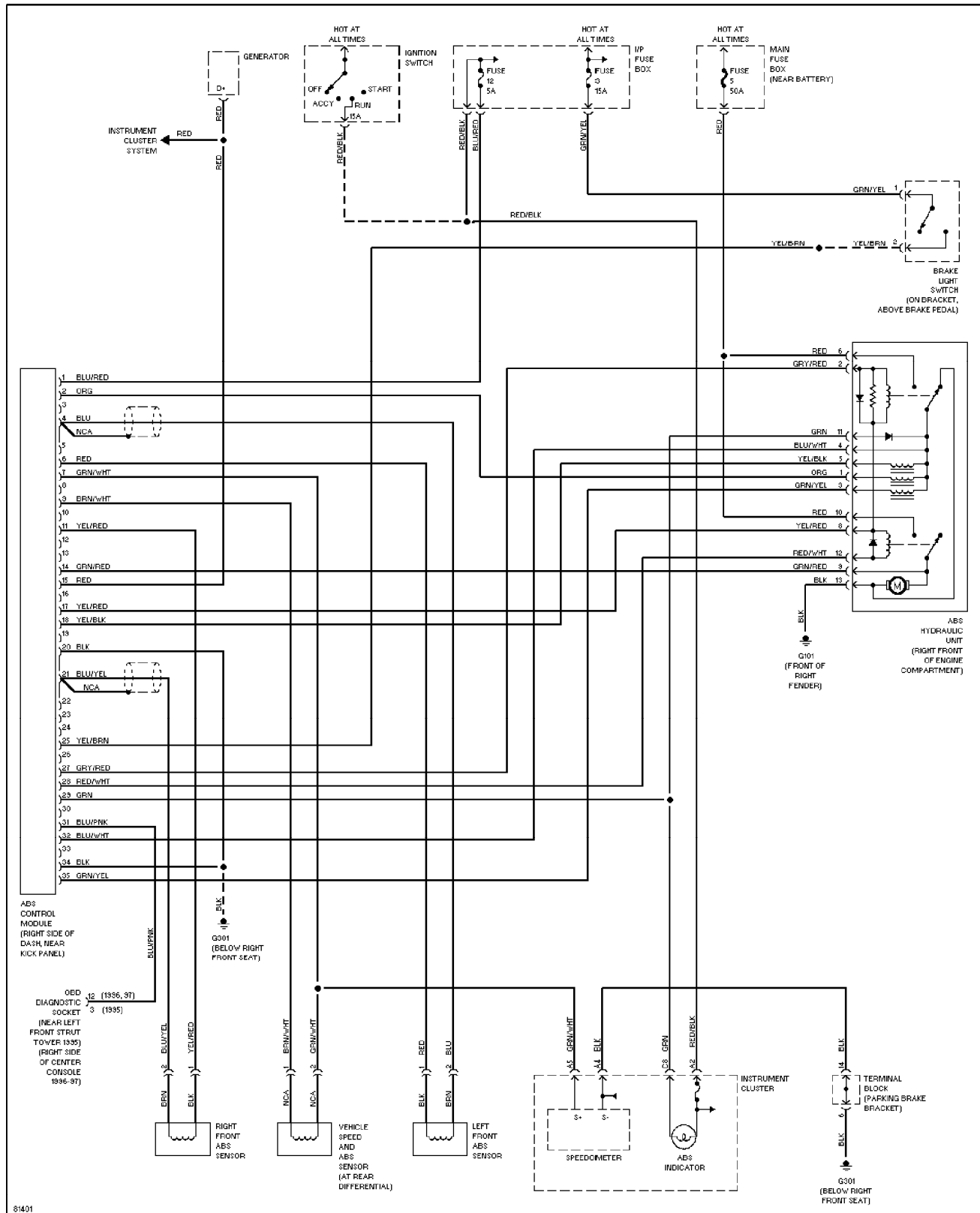
Anti-lock Brake Circuits

1996 Volvo 960

For x

Copyright © 1998 Mitchell Repair Information Company, LLC

Saturday, July 24, 2004 11:06AM



SYSTEM WIRING DIAGRAMS

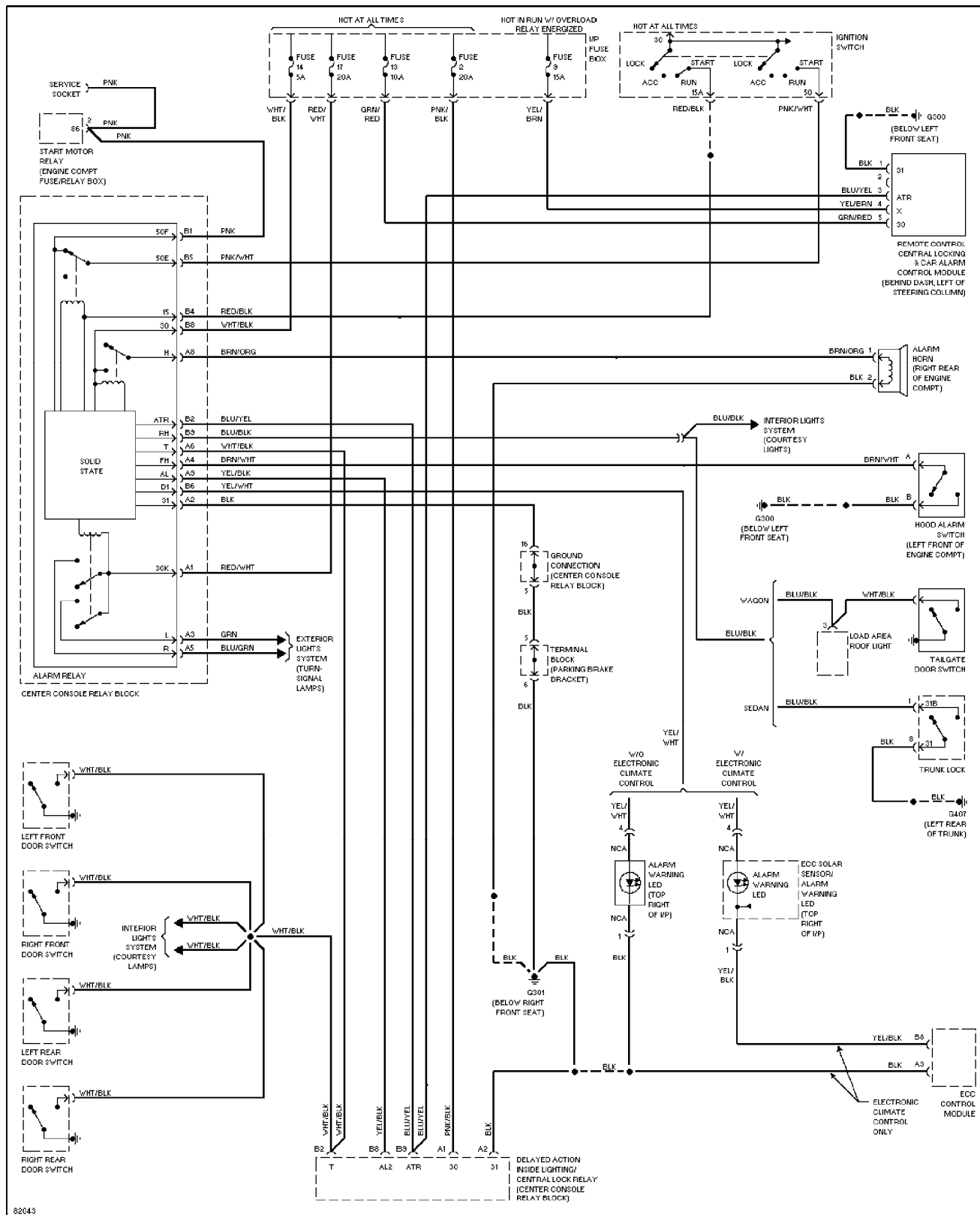
Base Anti-theft Circuit

1996 Volvo 960

For x

Copyright © 1998 Mitchell Repair Information Company, LLC

Saturday, July 24, 2004 11:06AM



SYSTEM WIRING DIAGRAMS

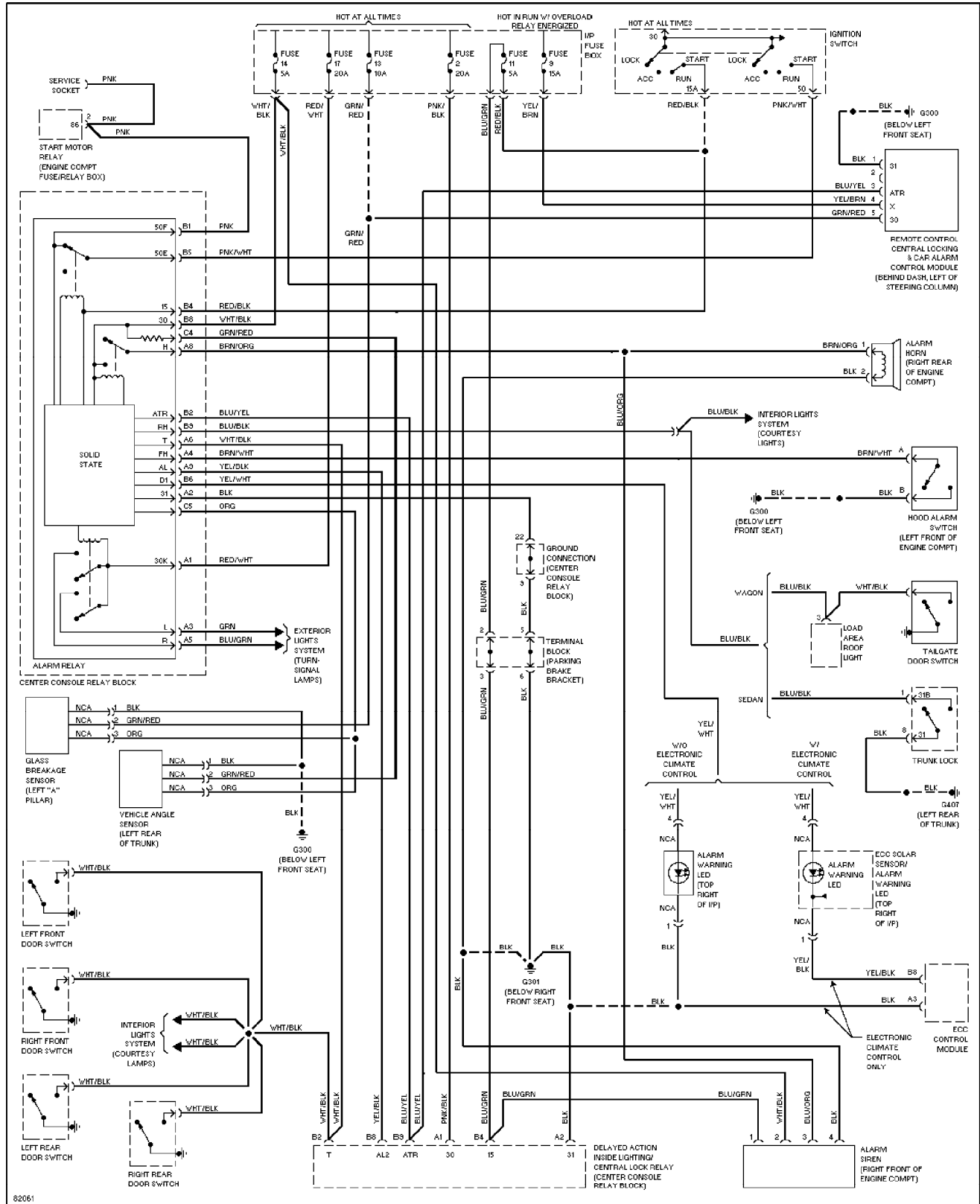
Guard Alarm II Circuit

1996 Volvo 960

For x

Copyright © 1998 Mitchell Repair Information Company, LLC

Saturday, July 24, 2004 11:07AM



SYSTEM WIRING DIAGRAMS

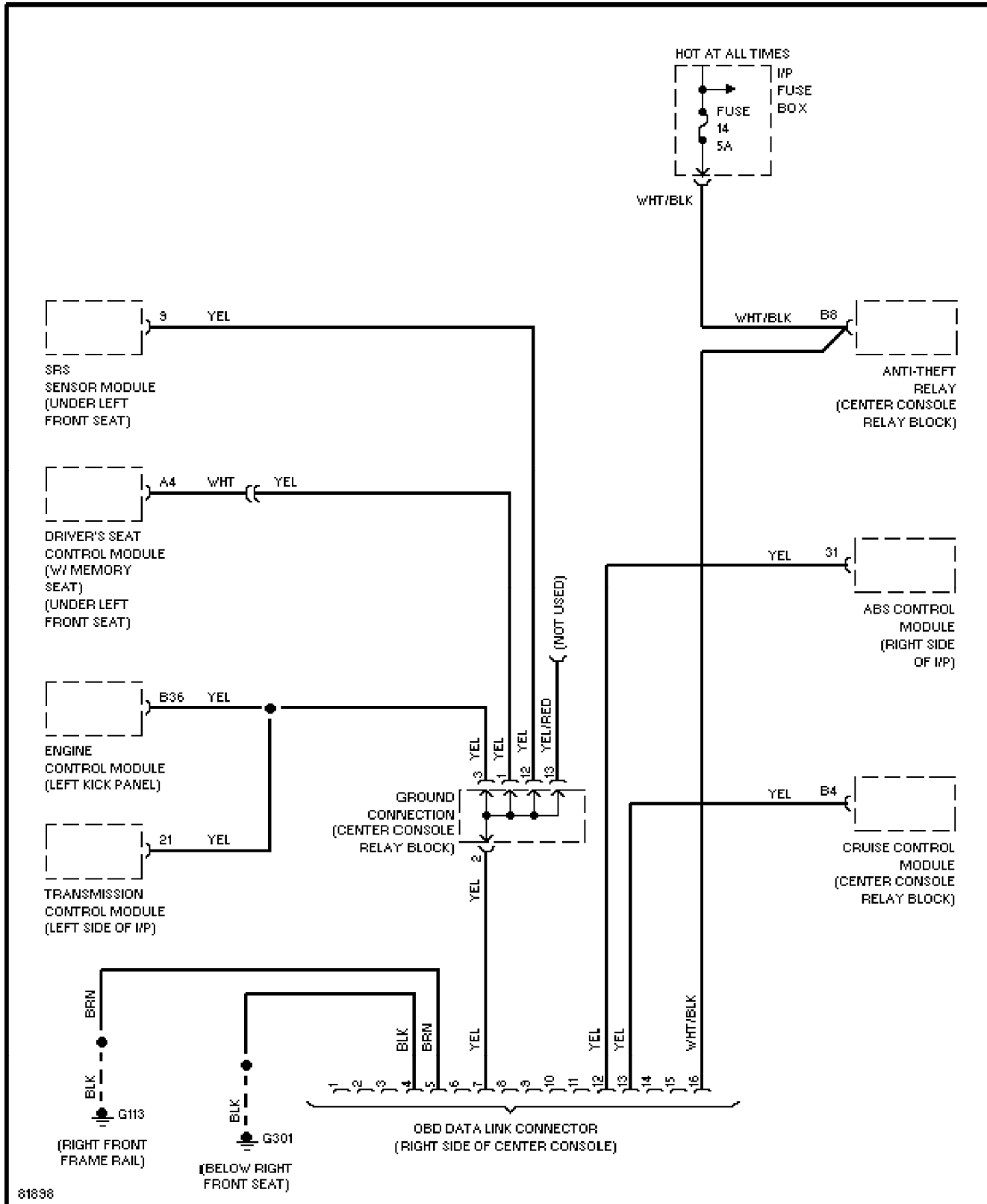
Computer Data Lines

1996 Volvo 960

For x

Copyright © 1998 Mitchell Repair Information Company, LLC

Saturday, July 24, 2004 11:07AM



SYSTEM WIRING DIAGRAMS

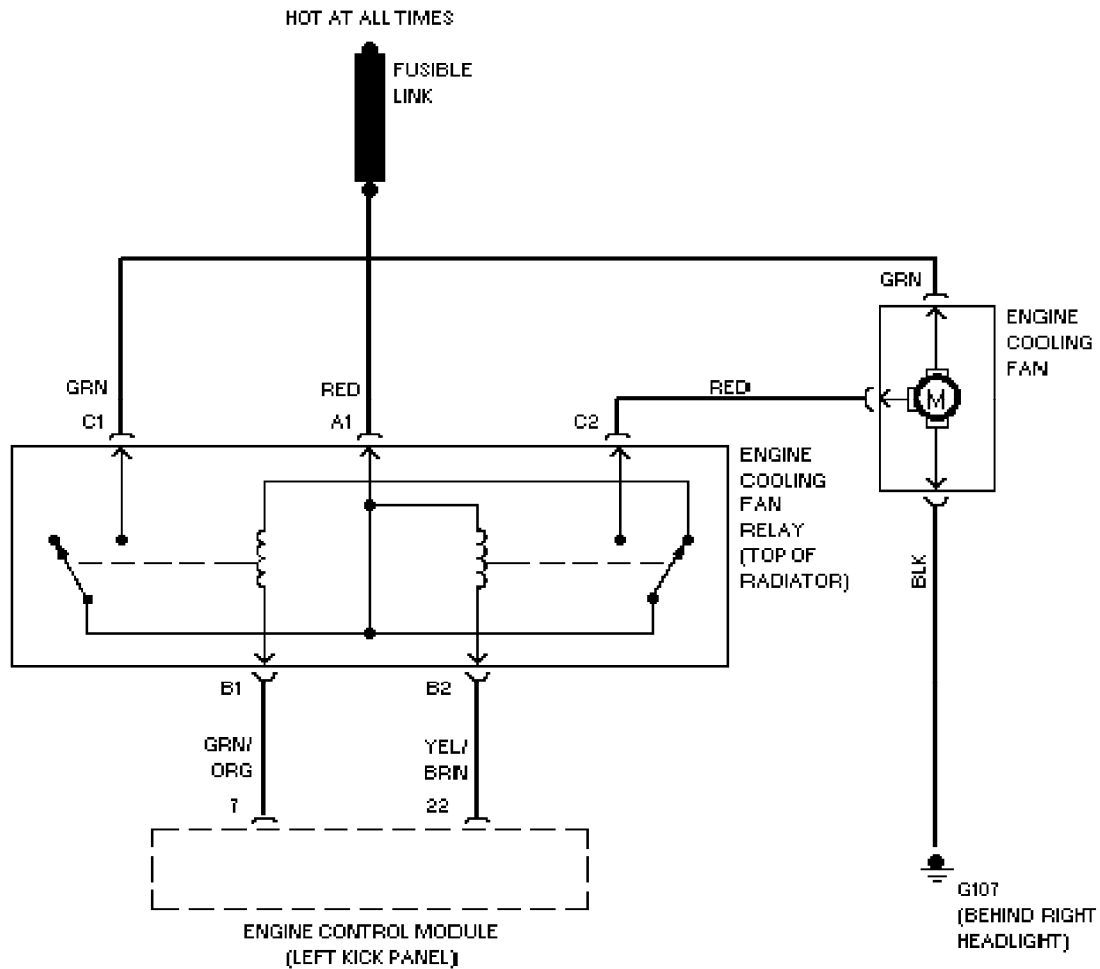
Cooling Fan Circuit

1996 Volvo 960

For x

Copyright © 1998 Mitchell Repair Information Company, LLC

Saturday, July 24, 2004 11:07AM



SYSTEM WIRING DIAGRAMS

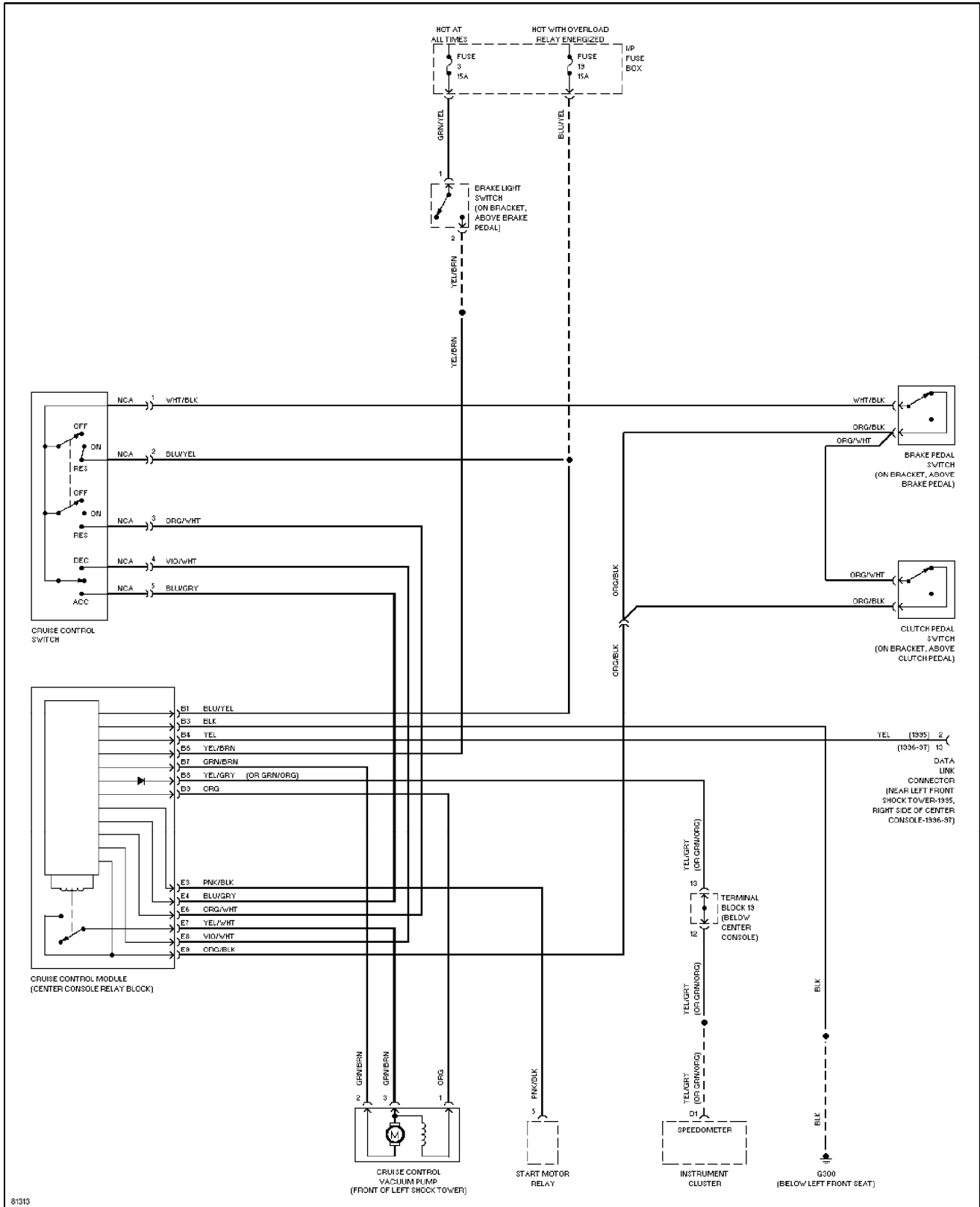
Cruise Control Circuit

1996 Volvo 960

For x

Copyright © 1998 Mitchell Repair Information Company, LLC

Saturday, July 24, 2004 11:07AM



SYSTEM WIRING DIAGRAMS

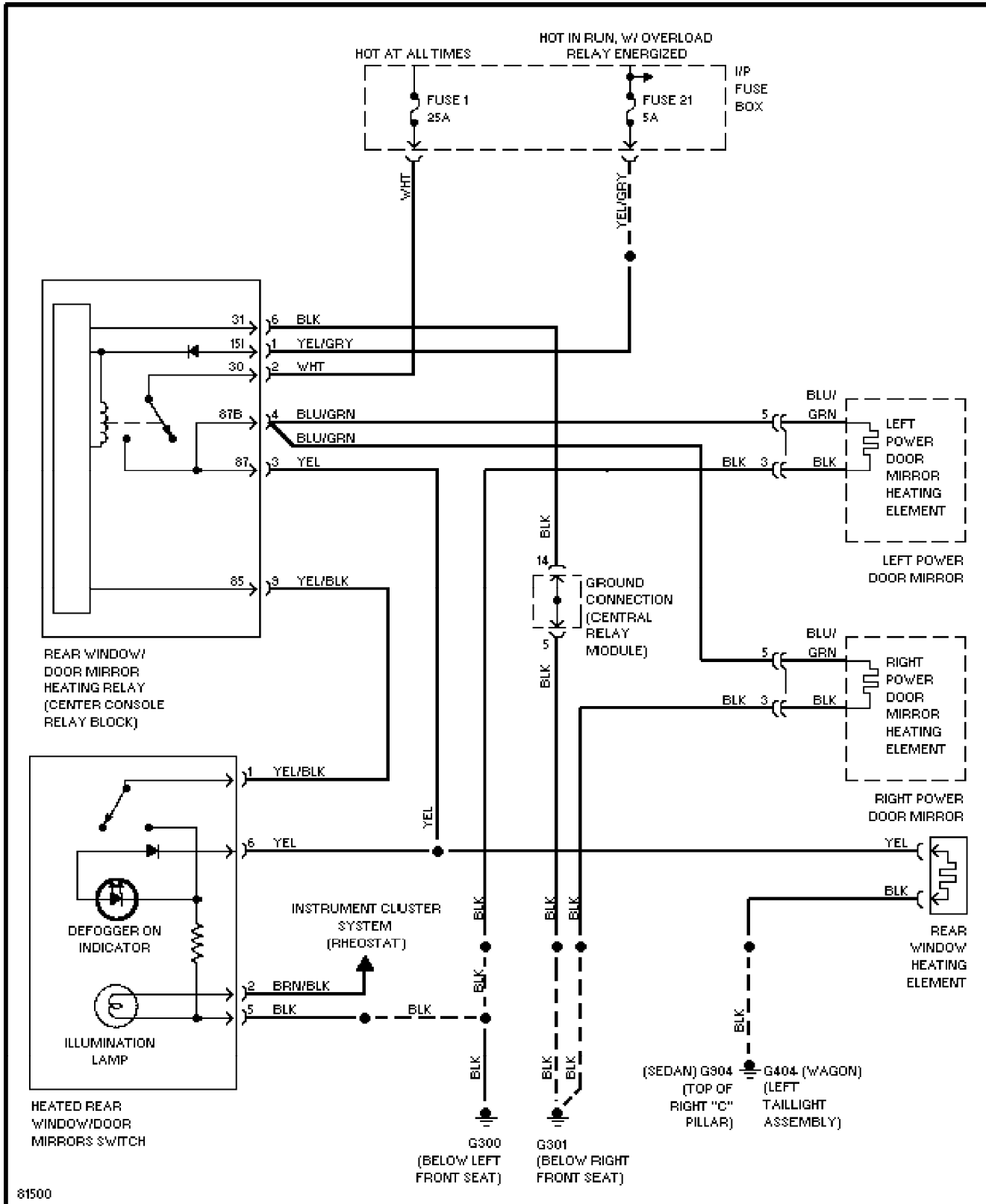
Defogger Circuit

1996 Volvo 960

For x

Copyright © 1998 Mitchell Repair Information Company, LLC

Saturday, July 24, 2004 11:07AM



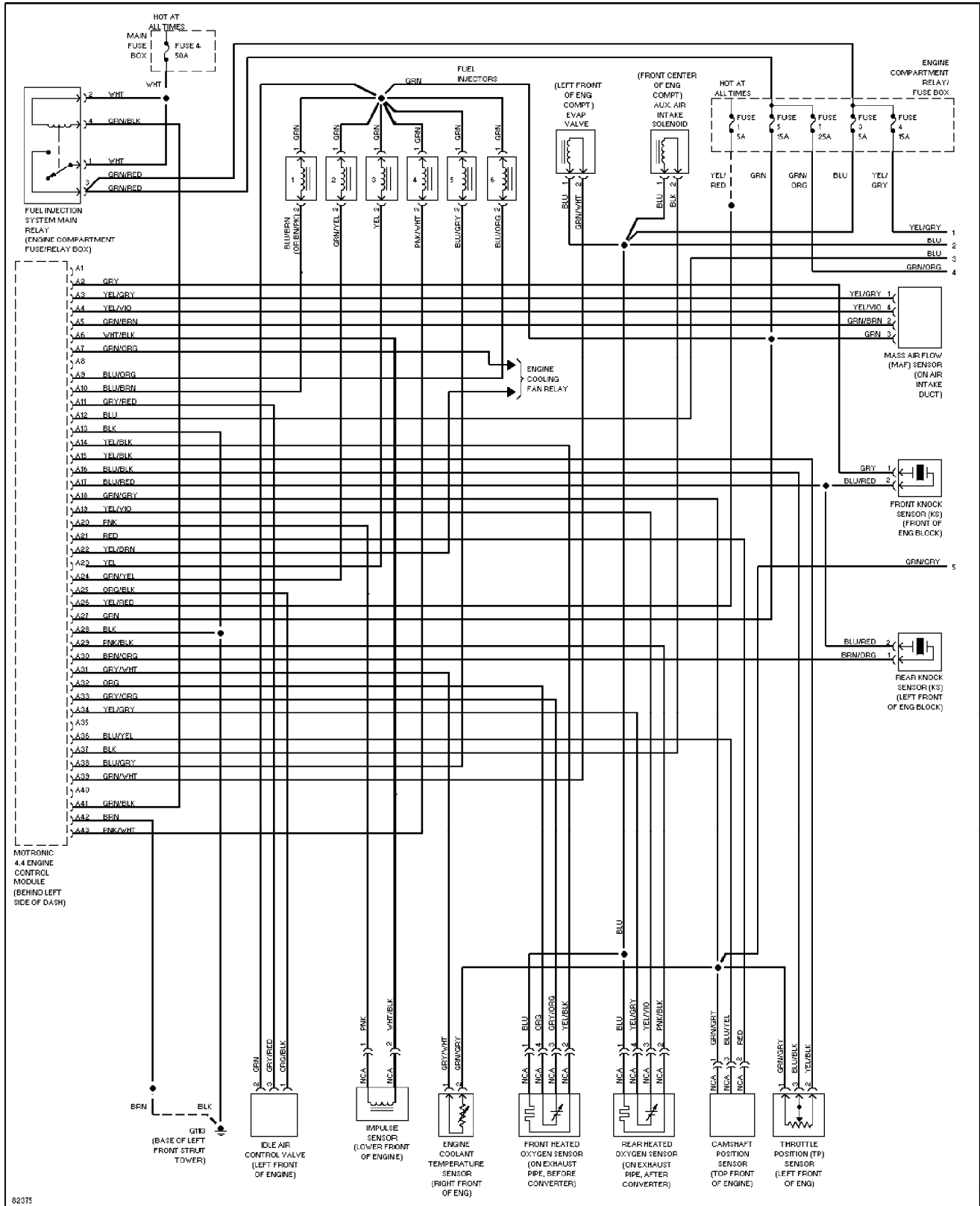
SYSTEM WIRING DIAGRAMS

2.9L, Engine Performance Circuits (1 of 2)

1996 Volvo 960

For x

Copyright © 1998 Mitchell Repair Information Company, LLC
Saturday, July 24, 2004 11:07AM



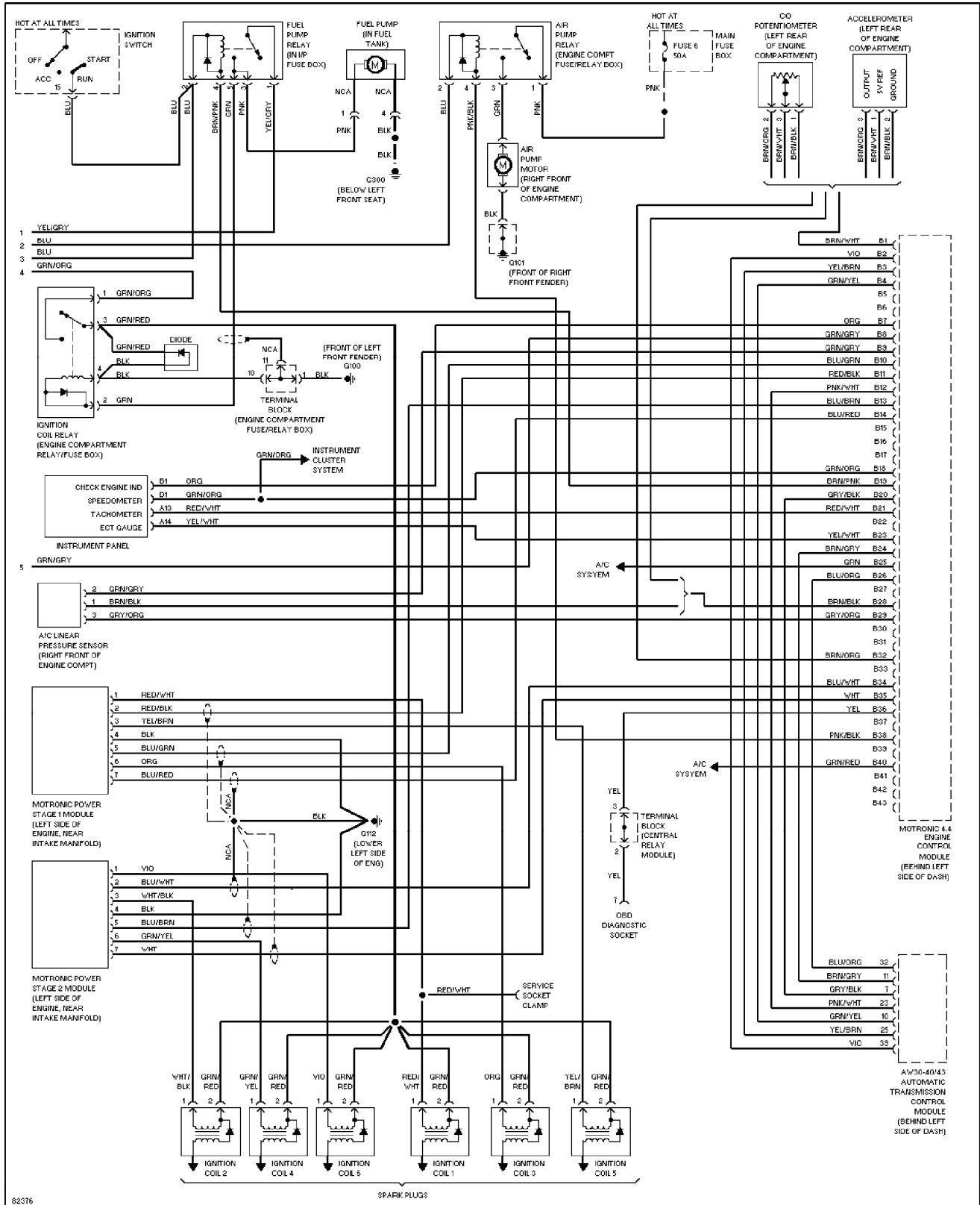
SYSTEM WIRING DIAGRAMS

2.9L, Engine Performance Circuits (2 of 2)

1996 Volvo 960

For x

Copyright © 1998 Mitchell Repair Information Company, LLC
Saturday, July 24, 2004 11:07AM



SYSTEM WIRING DIAGRAMS

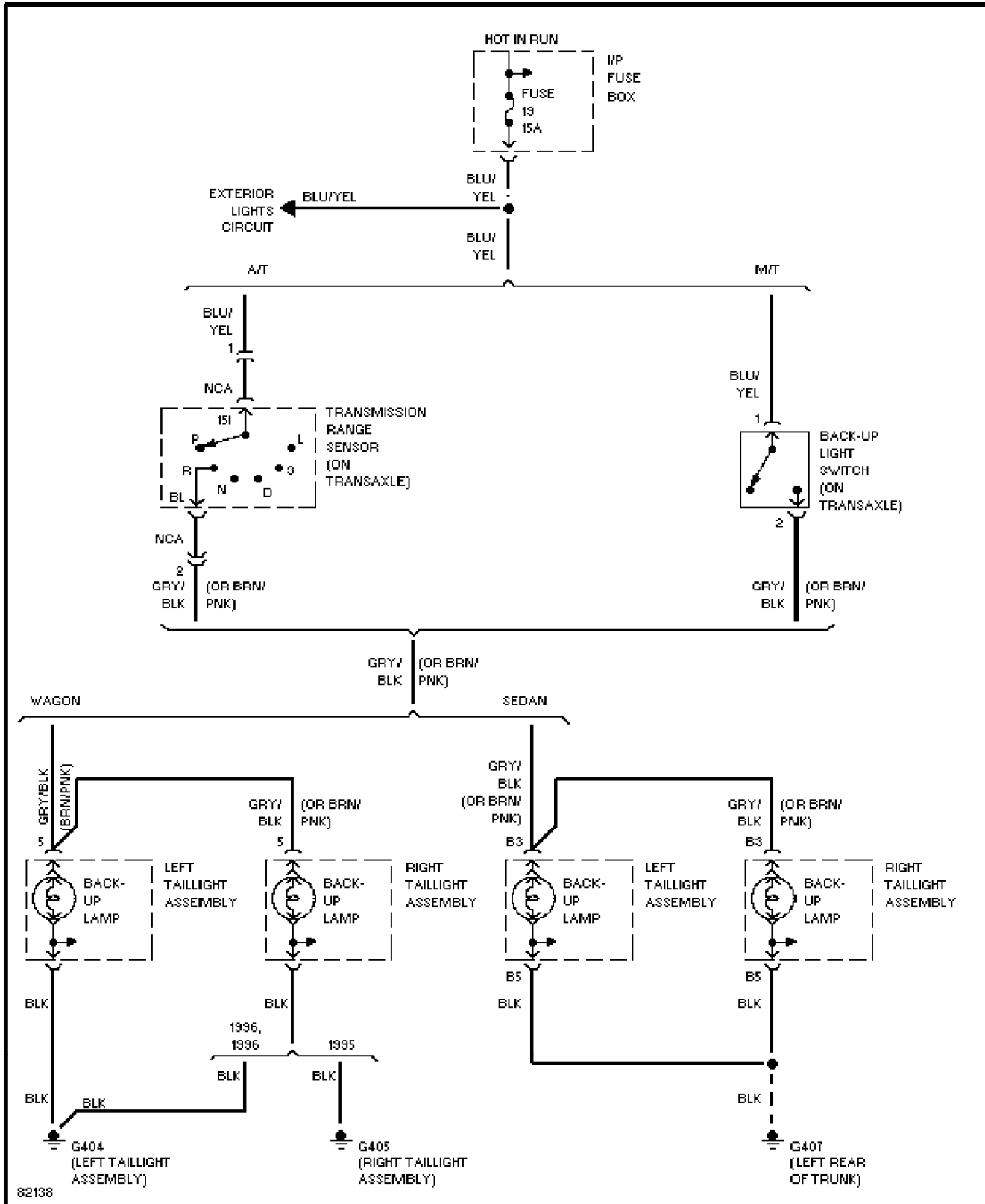
Back-up Lamps Circuit

1996 Volvo 960

For x

Copyright © 1998 Mitchell Repair Information Company, LLC

Saturday, July 24, 2004 11:07AM



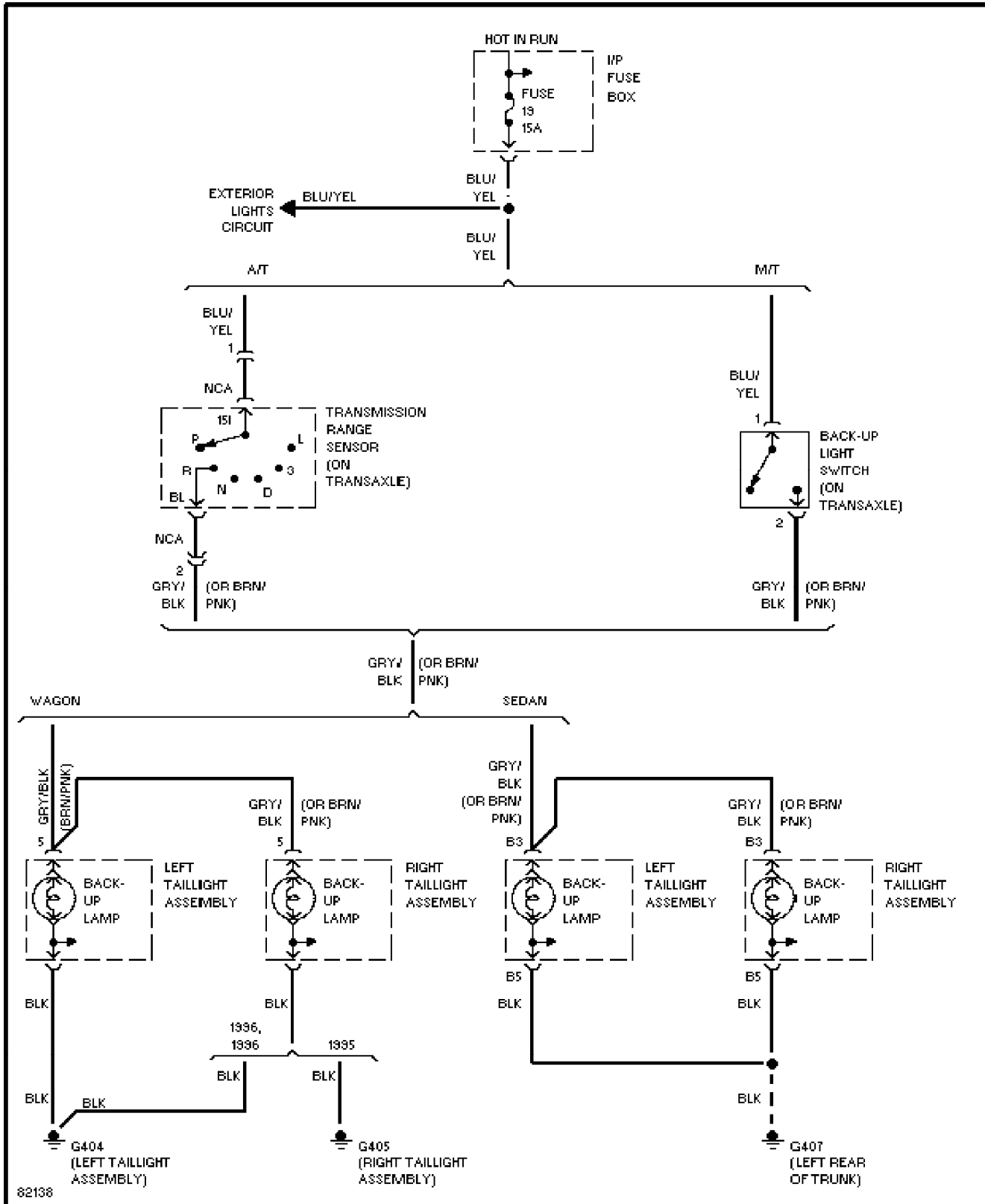
SYSTEM WIRING DIAGRAMS

Backup Lamps Circuit, Sedan & Wagon

1996 Volvo 960

For x

Copyright © 1998 Mitchell Repair Information Company, LLC
Saturday, July 24, 2004 11:07AM



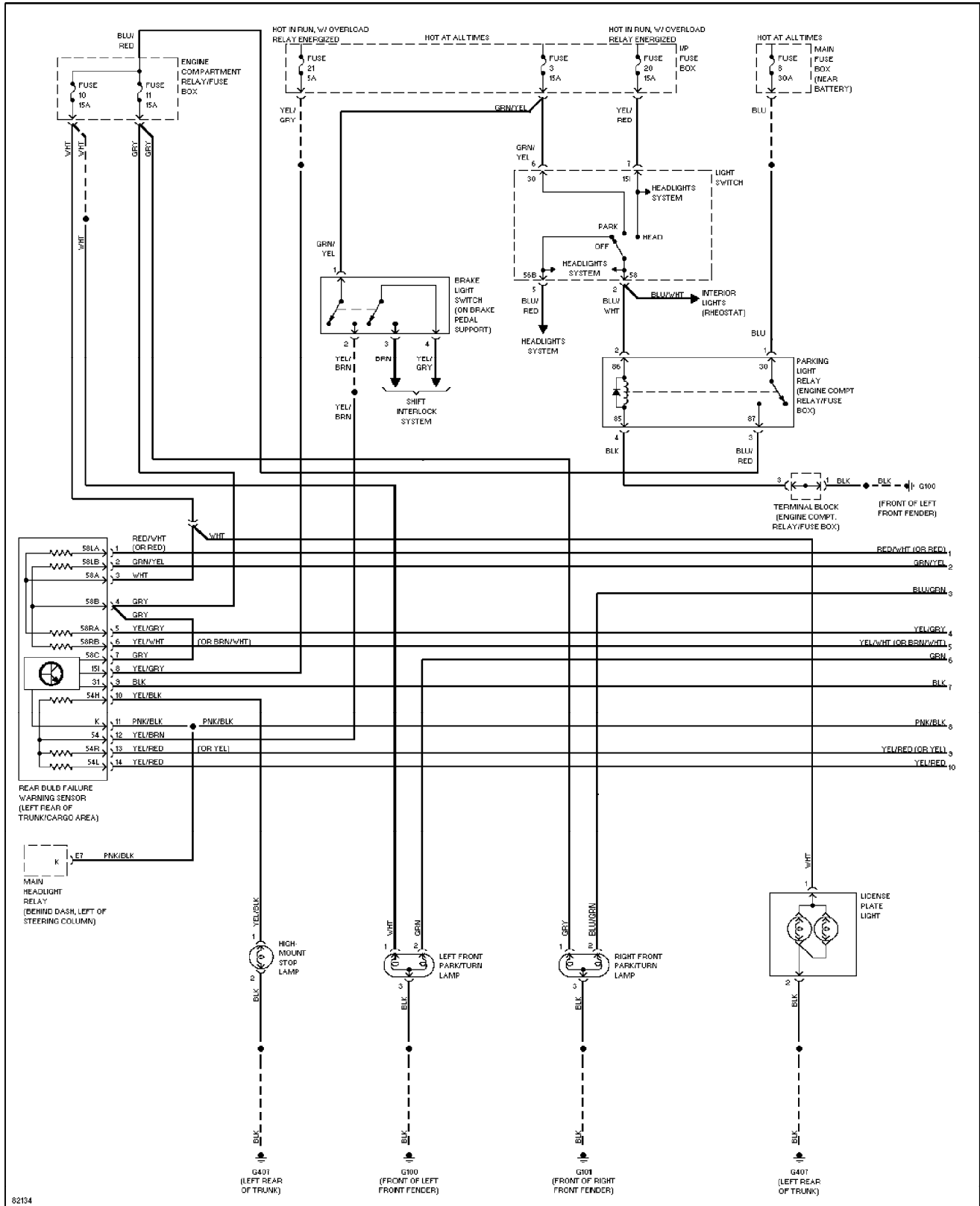
SYSTEM WIRING DIAGRAMS

Exterior Lamps Circuit, Sedan (1 of 2)

1996 Volvo 960

For x

Copyright © 1998 Mitchell Repair Information Company, LLC
 Saturday, July 24, 2004 11:07AM



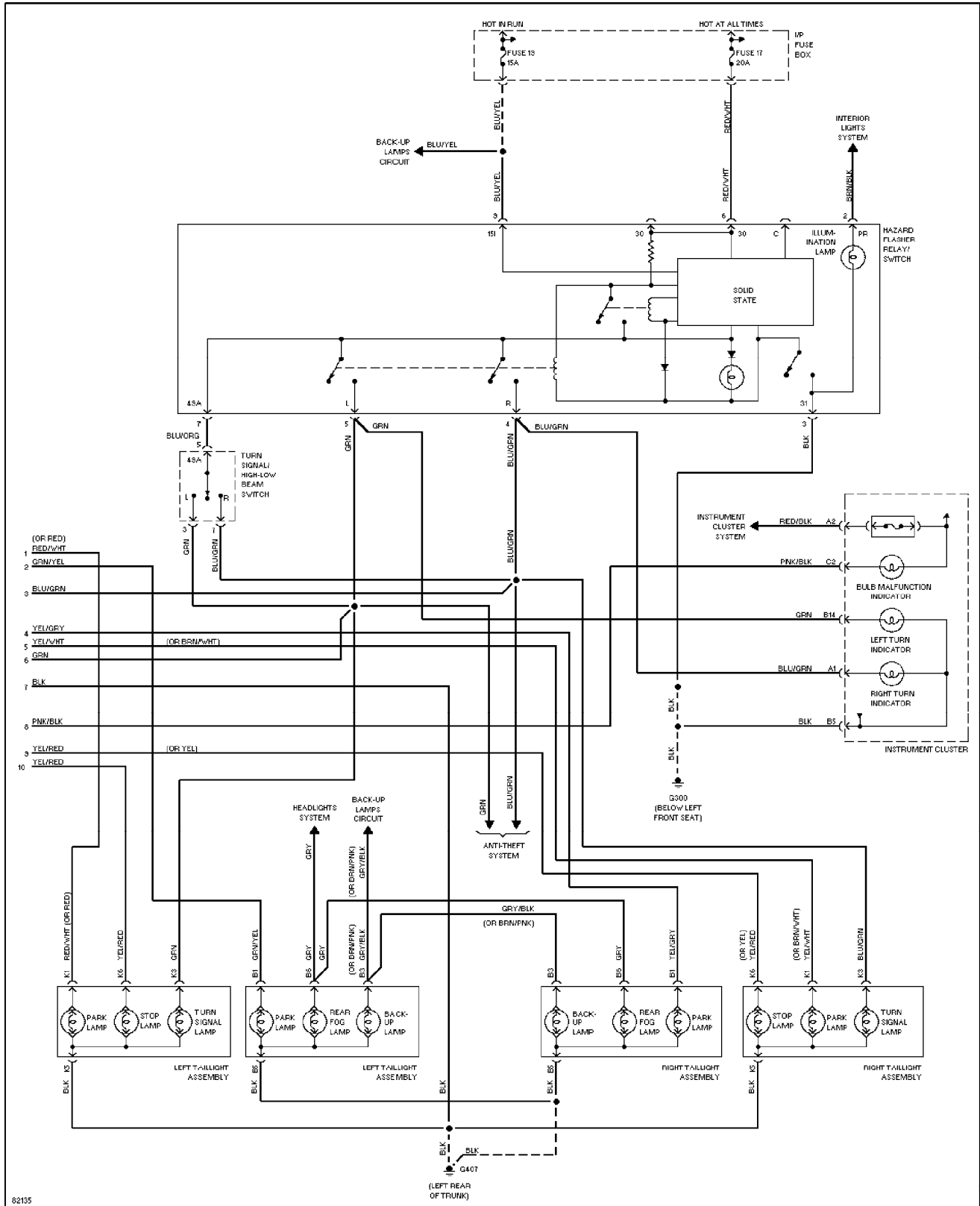
SYSTEM WIRING DIAGRAMS

Exterior Lamps Circuit, Sedan (2 of 2)

1996 Volvo 960

For x

Copyright © 1998 Mitchell Repair Information Company, LLC
Saturday, July 24, 2004 11:07AM



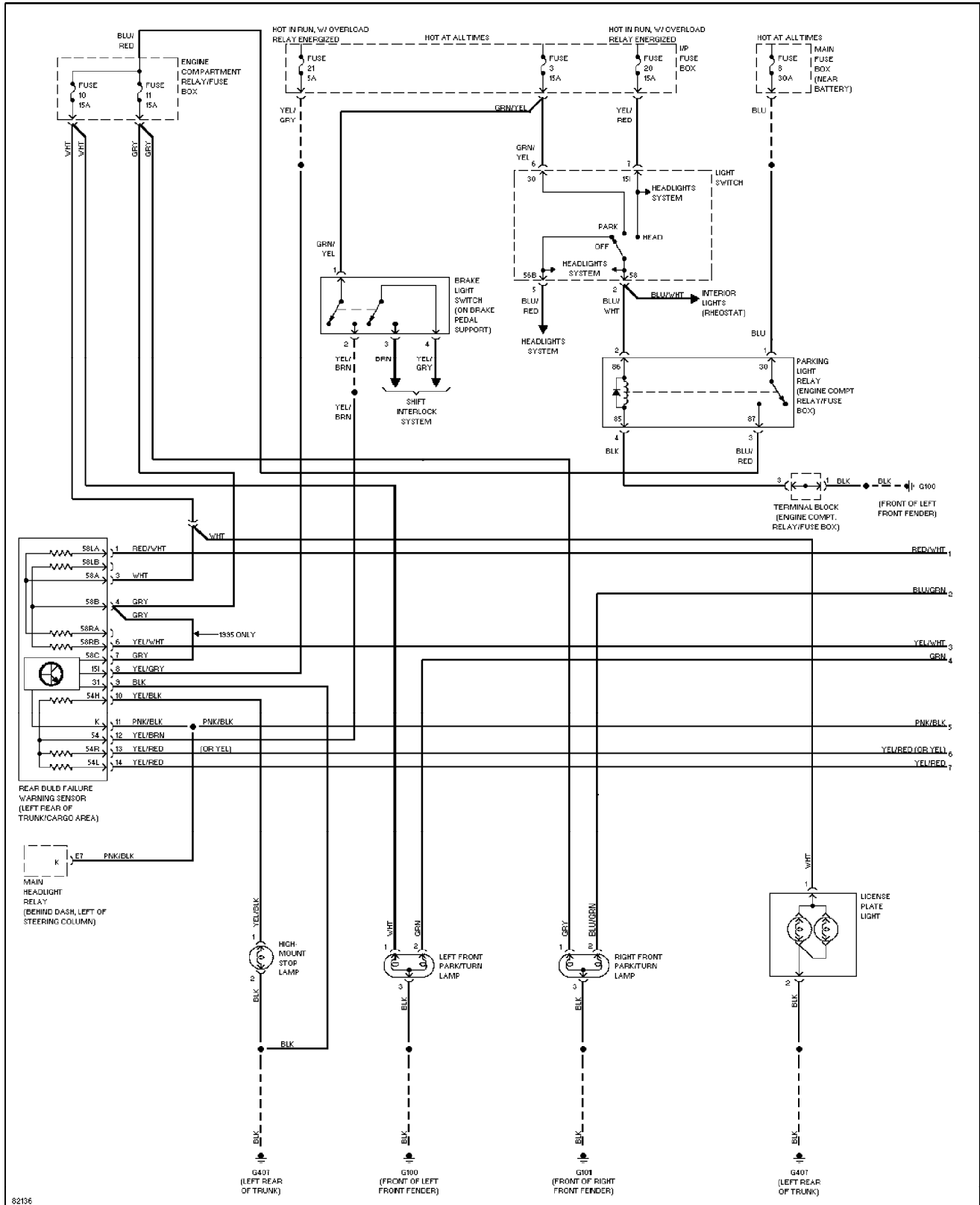
SYSTEM WIRING DIAGRAMS

Exterior Lamps Circuit, Wagon (1 of 2)

1996 Volvo 960

For x

Copyright © 1998 Mitchell Repair Information Company, LLC
Saturday, July 24, 2004 11:07AM



SYSTEM WIRING DIAGRAMS

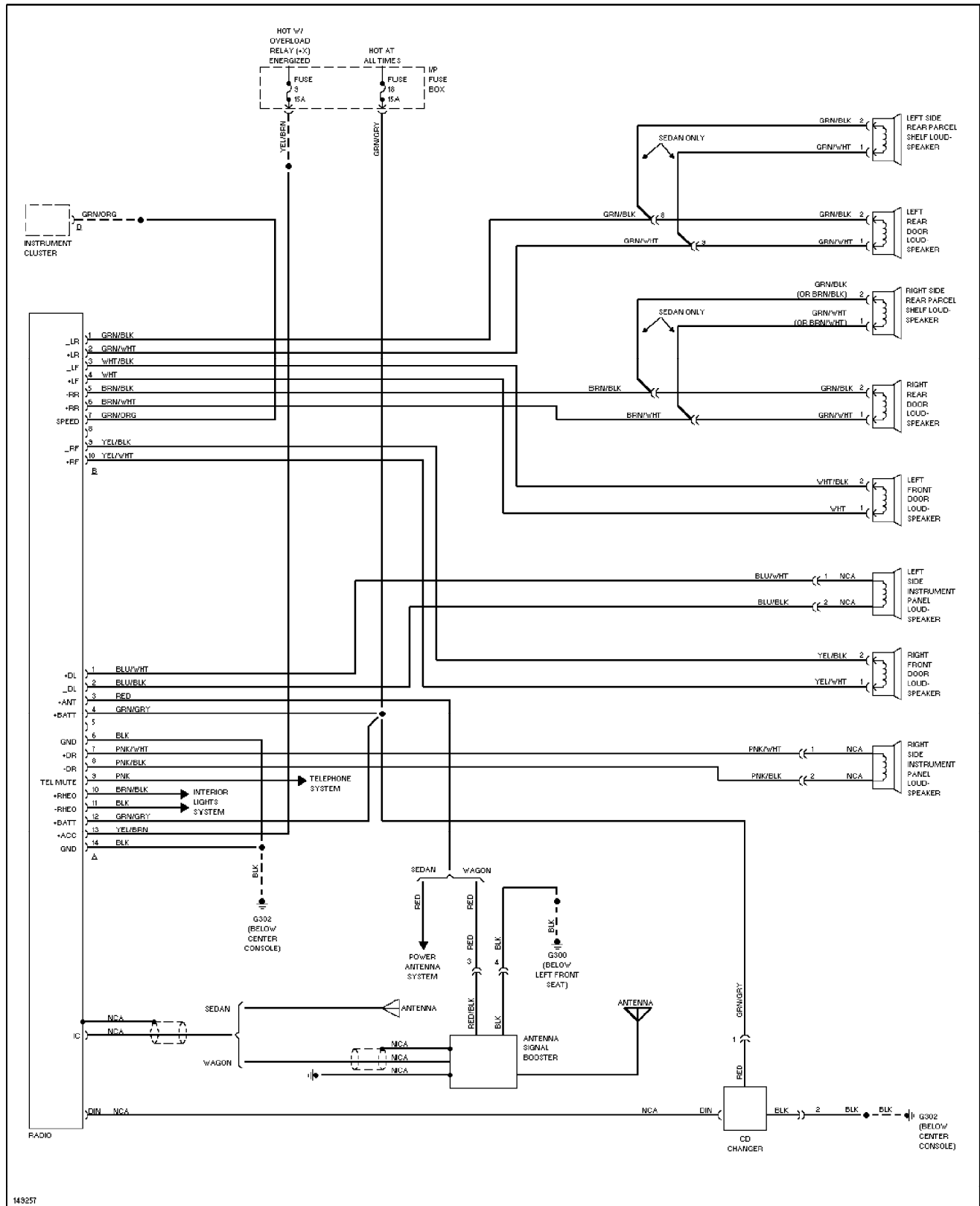
Radio Circuits, W/O Amplifier

1996 Volvo 960

For x

Copyright © 1998 Mitchell Repair Information Company, LLC

Saturday, July 24, 2004 11:09AM



SYSTEM WIRING DIAGRAMS

Shift Interlock Circuit

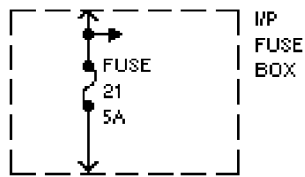
1996 Volvo 960

For x

Copyright © 1998 Mitchell Repair Information Company, LLC

Saturday, July 24, 2004 11:10AM

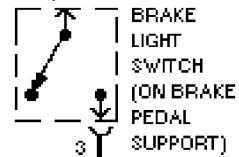
HOT IN RUN, W/ OVERLOAD
RELAY ENERGIZED



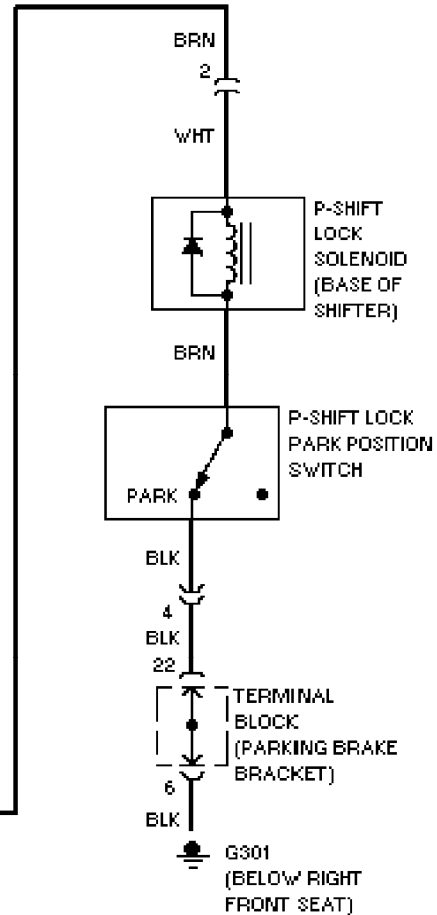
YEL/
GRY

YEL/
GRY

4

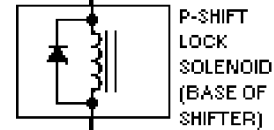


BRN

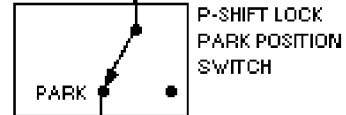


BRN
2

WHT



BRN



BLK

4

BLK
22

6

BLK

G301
(BELOW RIGHT
FRONT SEAT)

SYSTEM WIRING DIAGRAMS

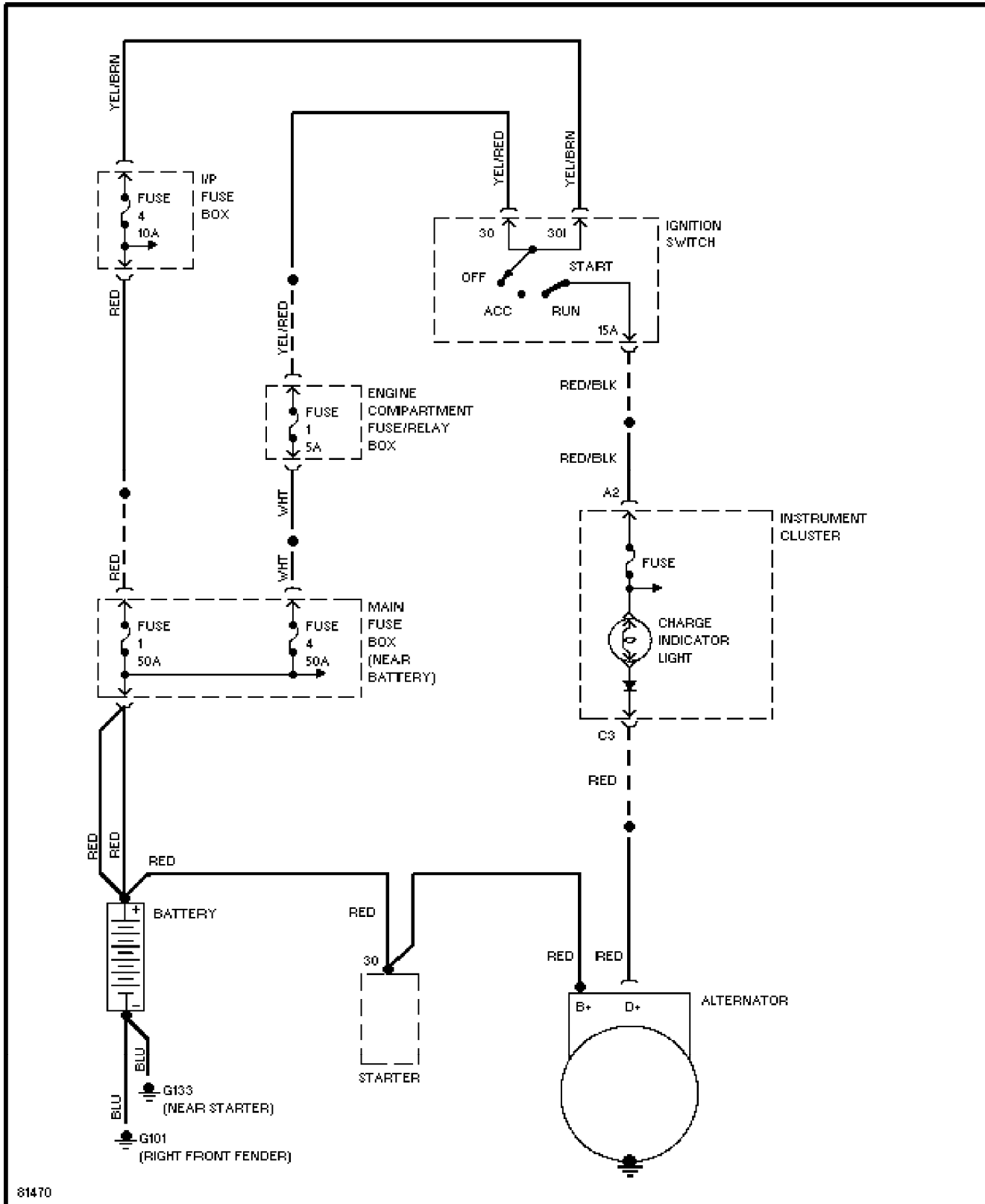
Charging Circuit

1996 Volvo 960

For x

Copyright © 1998 Mitchell Repair Information Company, LLC

Saturday, July 24, 2004 11:10AM



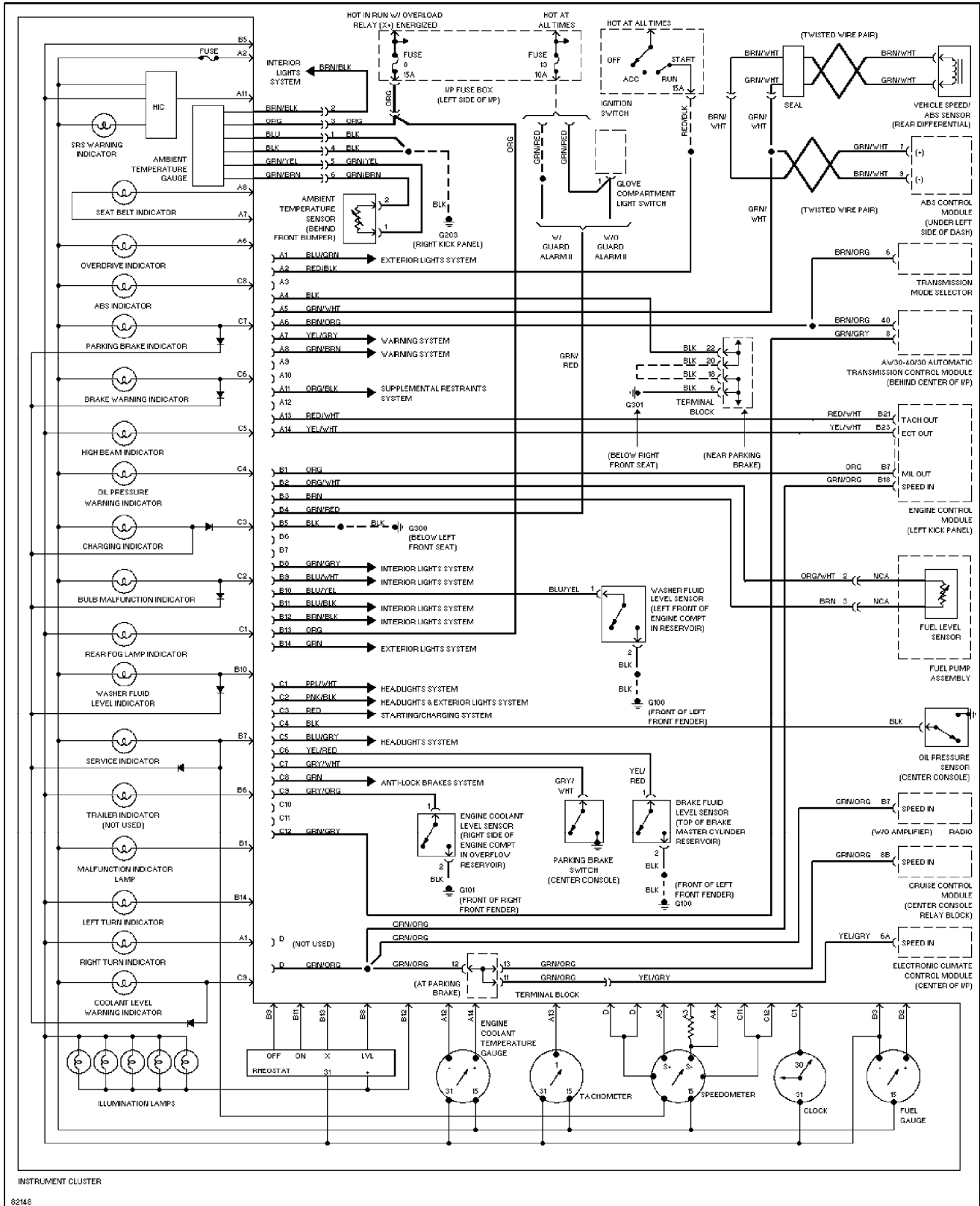
SYSTEM WIRING DIAGRAMS

Instrument Cluster Circuit

1996 Volvo 960

For x

Copyright © 1998 Mitchell Repair Information Company, LLC
Saturday, July 24, 2004 11:09AM



SYSTEM WIRING DIAGRAMS

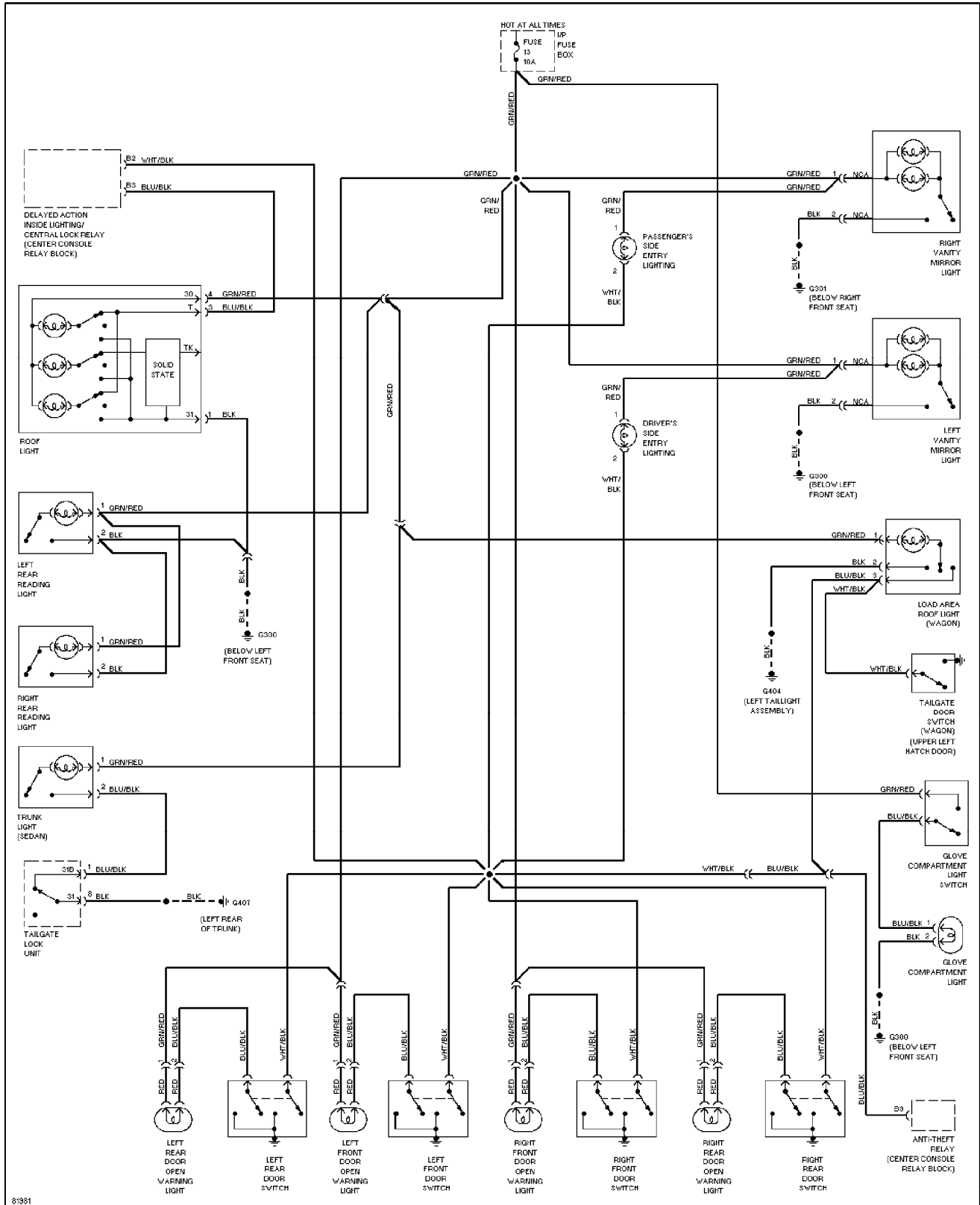
Courtesy Lamps Circuit

1996 Volvo 960

For x

Copyright © 1998 Mitchell Repair Information Company, LLC

Saturday, July 24, 2004 11:09AM



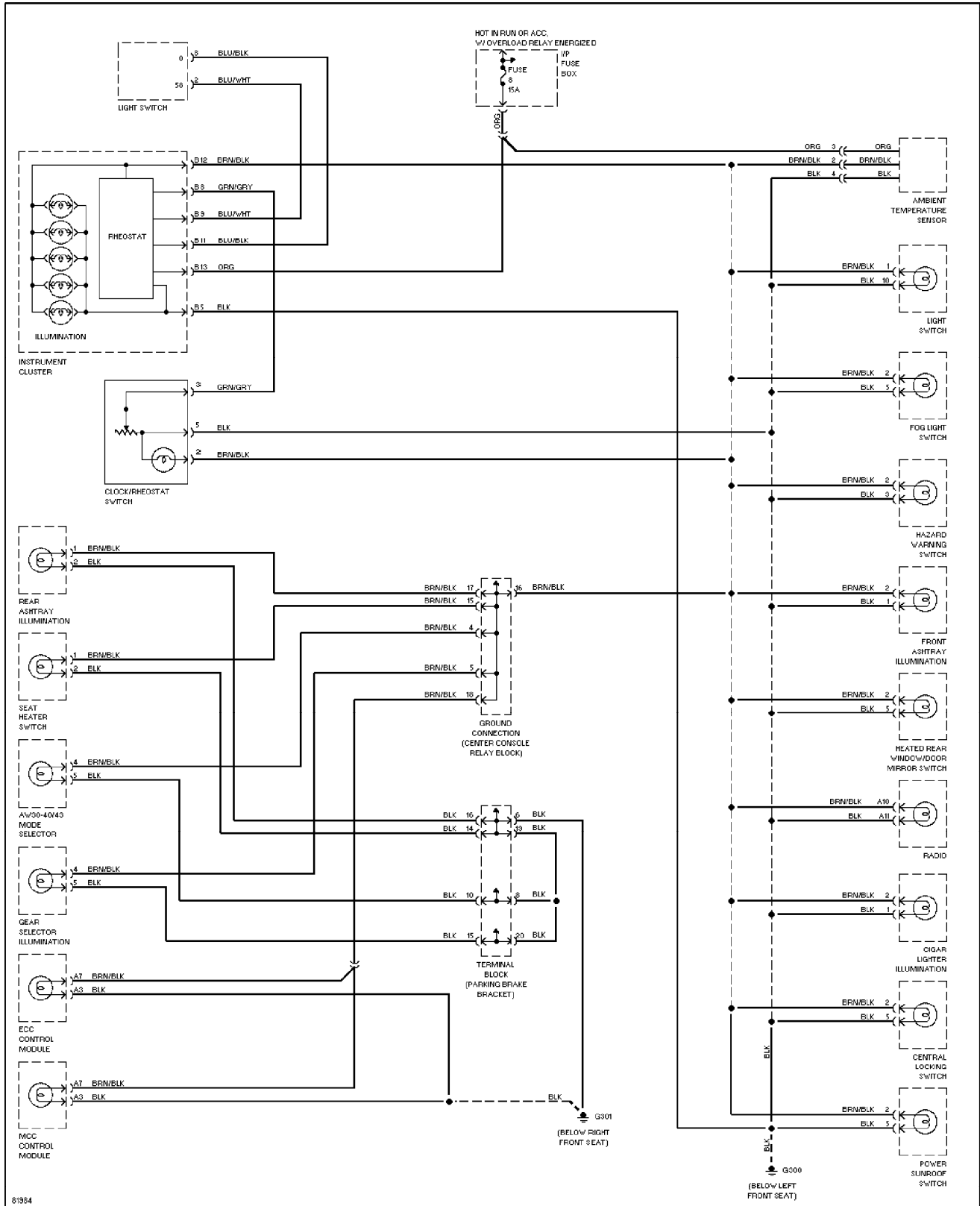
SYSTEM WIRING DIAGRAMS

Instrument Illumination Circuit

1996 Volvo 960

For x

Copyright © 1998 Mitchell Repair Information Company, LLC
Saturday, July 24, 2004 11:09AM



SYSTEM WIRING DIAGRAMS

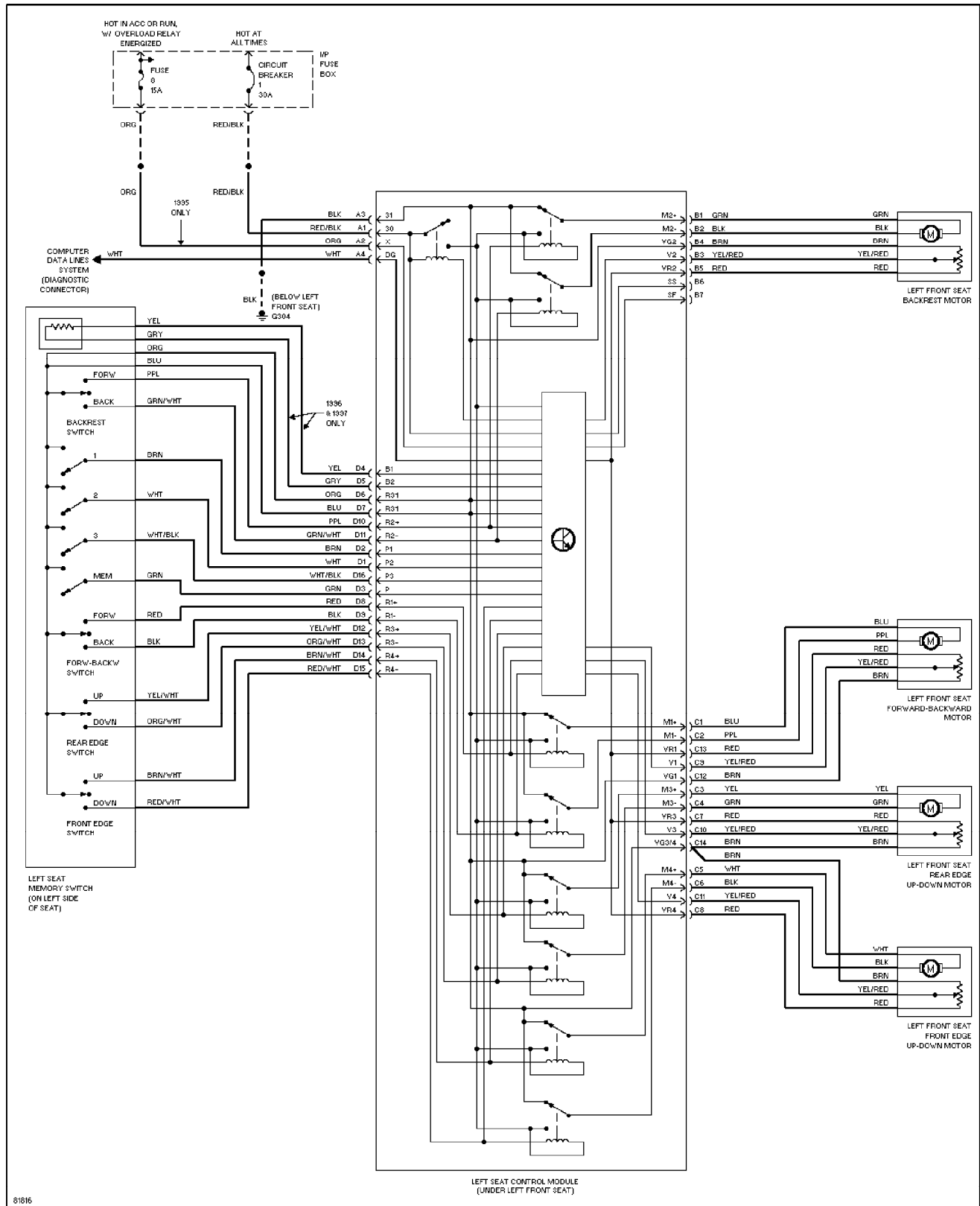
Memory Seat Circuit

1996 Volvo 960

For x

Copyright © 1998 Mitchell Repair Information Company, LLC

Saturday, July 24, 2004 11:09AM



SYSTEM WIRING DIAGRAMS

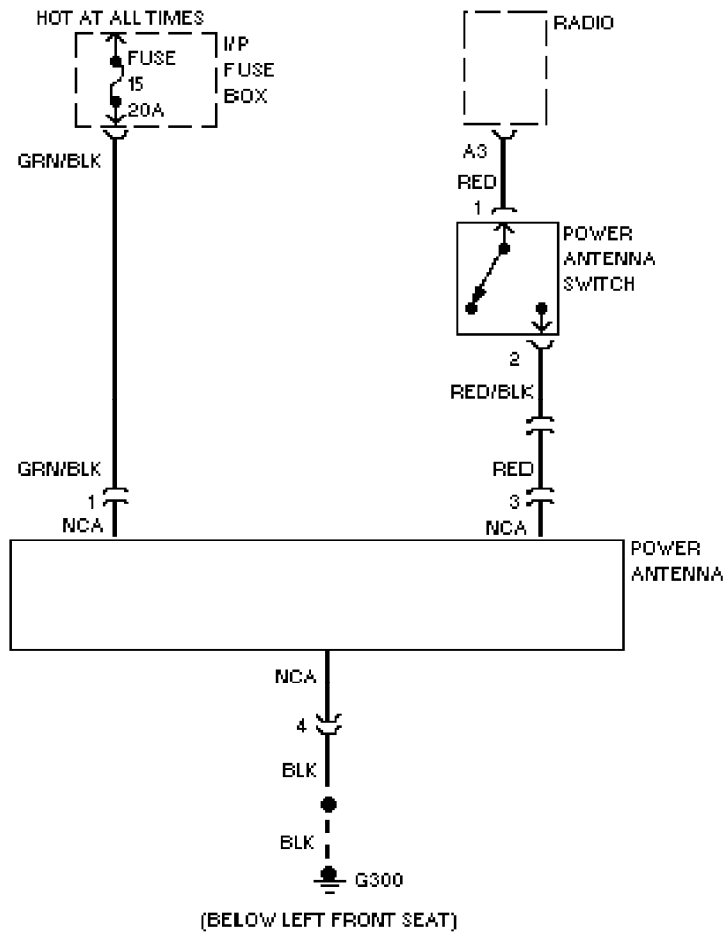
Power Antenna Circuit

1996 Volvo 960

For x

Copyright © 1998 Mitchell Repair Information Company, LLC

Saturday, July 24, 2004 11:09AM



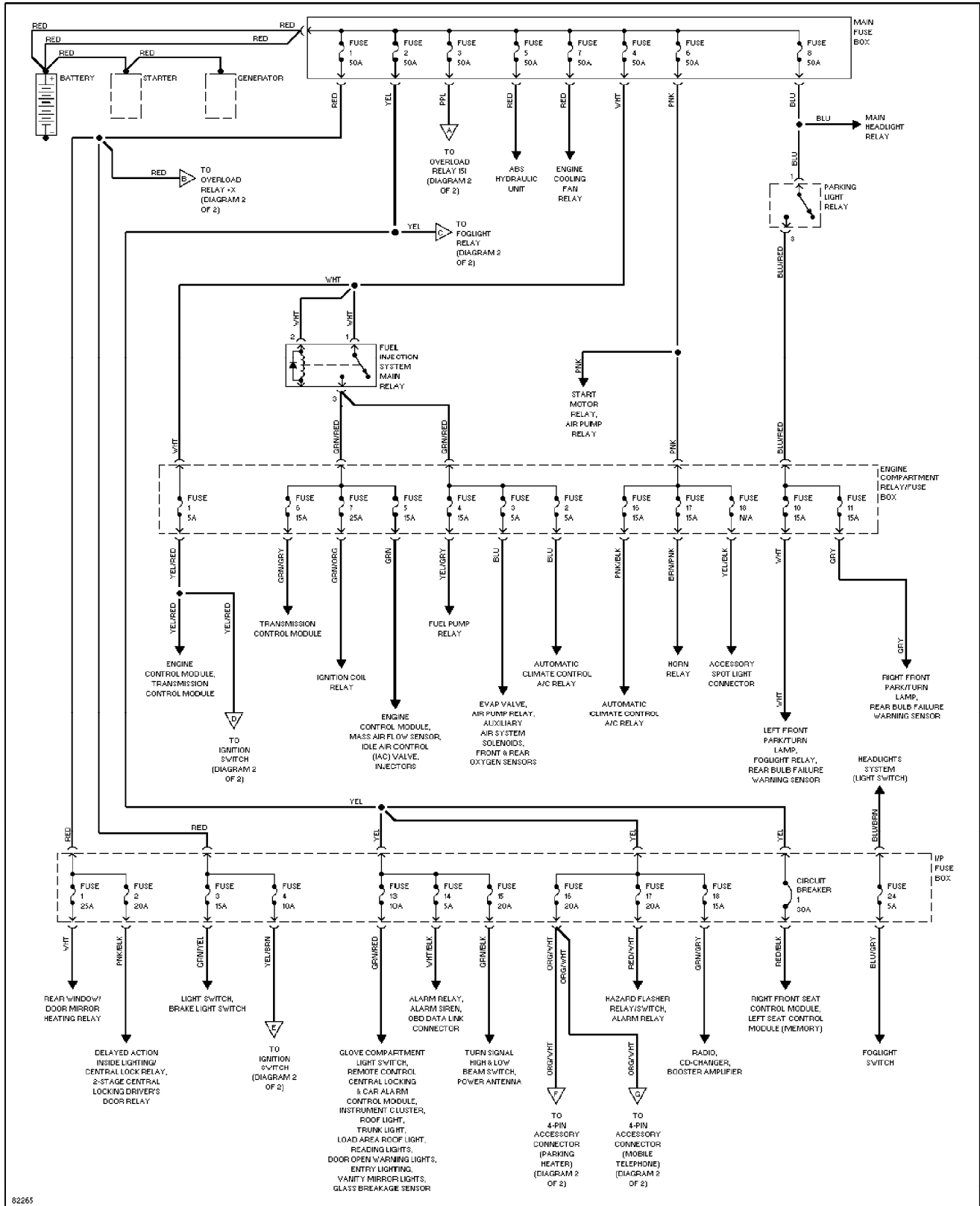
SYSTEM WIRING DIAGRAMS

Power Distribution Circuit (1 of 2)

1996 Volvo 960

For x

Copyright © 1998 Mitchell Repair Information Company, LLC
Saturday, July 24, 2004 11:09AM



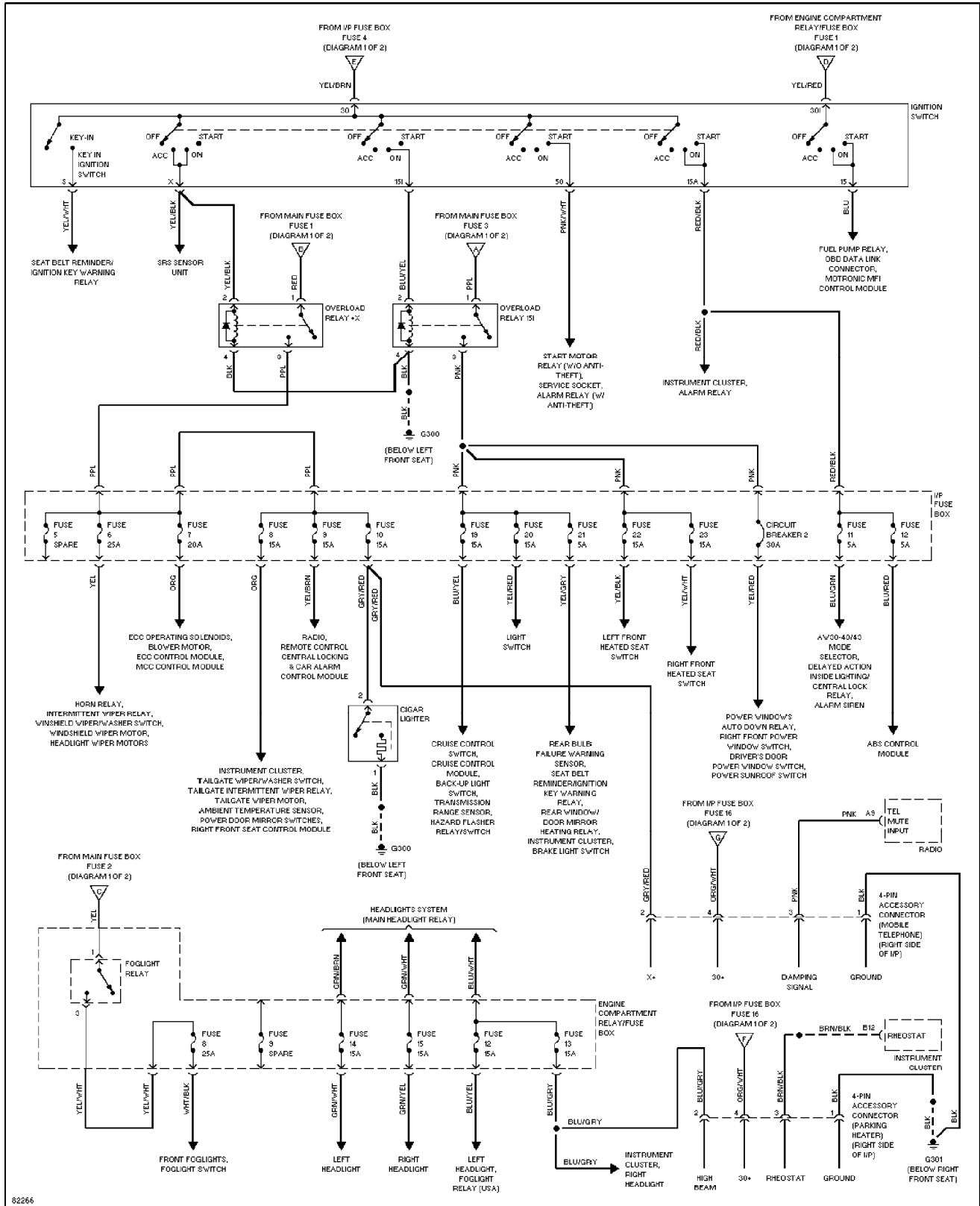
SYSTEM WIRING DIAGRAMS

Power Distribution Circuit (2 of 2)

1996 Volvo 960

For x

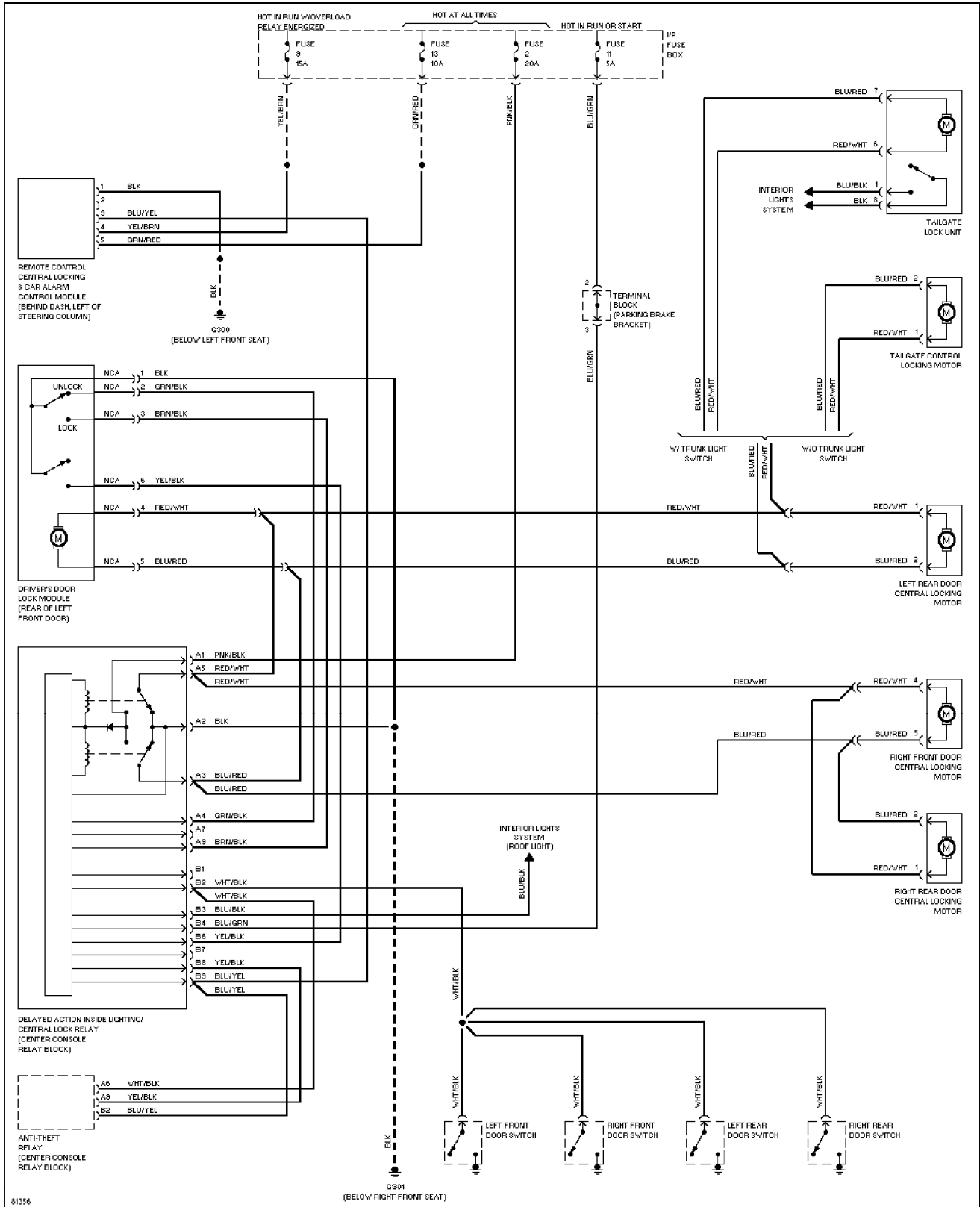
Copyright © 1998 Mitchell Repair Information Company, LLC
Saturday, July 24, 2004 11:09AM



SYSTEM WIRING DIAGRAMS

Power Door Lock Circuit, Except USA & Canada

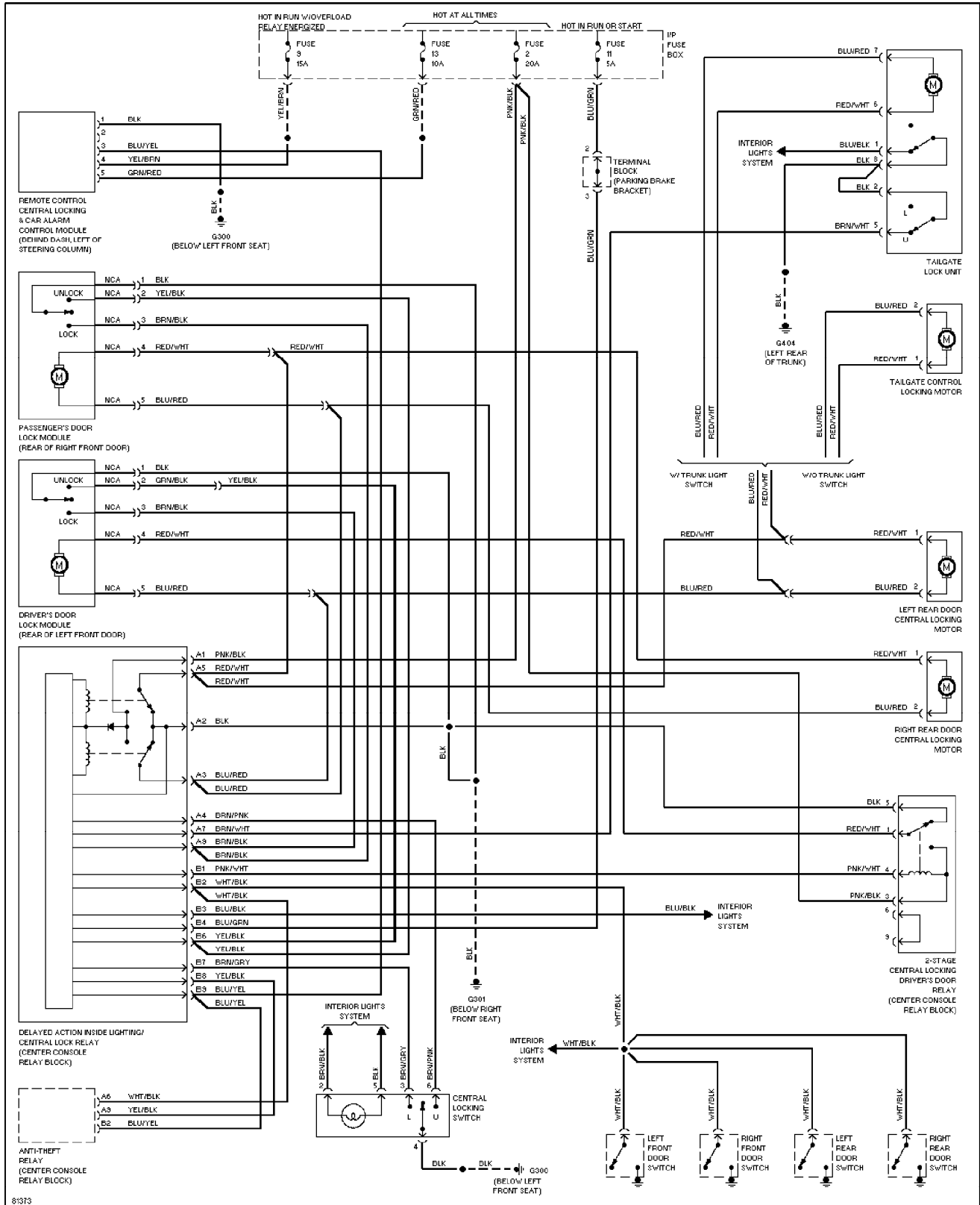
1996 Volvo 960
For x
Copyright © 1998 Mitchell Repair Information Company, LLC
Saturday, July 24, 2004 11:09AM



SYSTEM WIRING DIAGRAMS

Power Door Lock Circuit, USA & Canada

1996 Volvo 960
For x
Copyright © 1998 Mitchell Repair Information Company, LLC
Saturday, July 24, 2004 11:09AM



SYSTEM WIRING DIAGRAMS

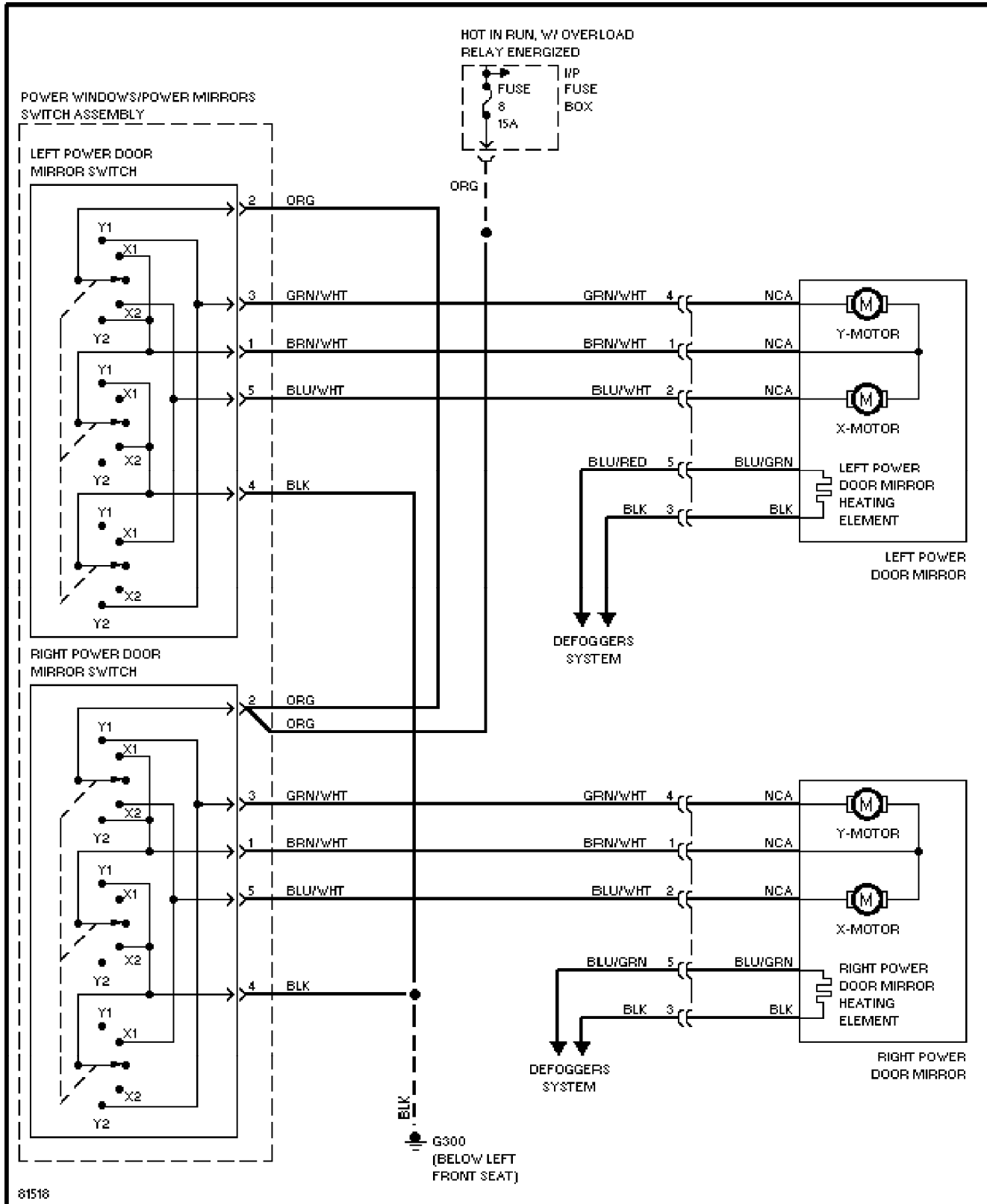
Power Mirror Circuit

1996 Volvo 960

For x

Copyright © 1998 Mitchell Repair Information Company, LLC

Saturday, July 24, 2004 11:09AM



SYSTEM WIRING DIAGRAMS

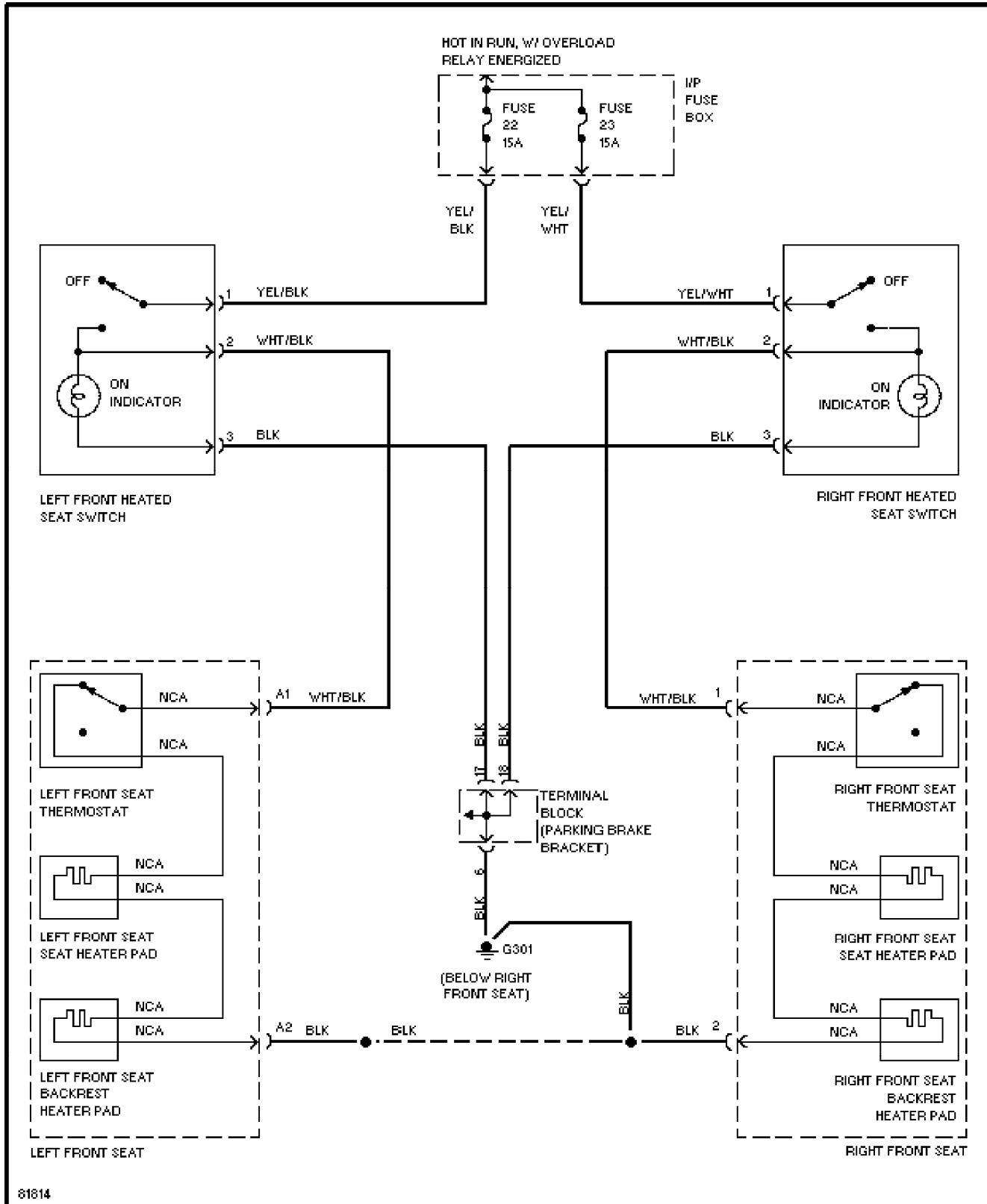
Heated Seats Circuit

1996 Volvo 960

For x

Copyright © 1998 Mitchell Repair Information Company, LLC

Saturday, July 24, 2004 11:09AM



SYSTEM WIRING DIAGRAMS

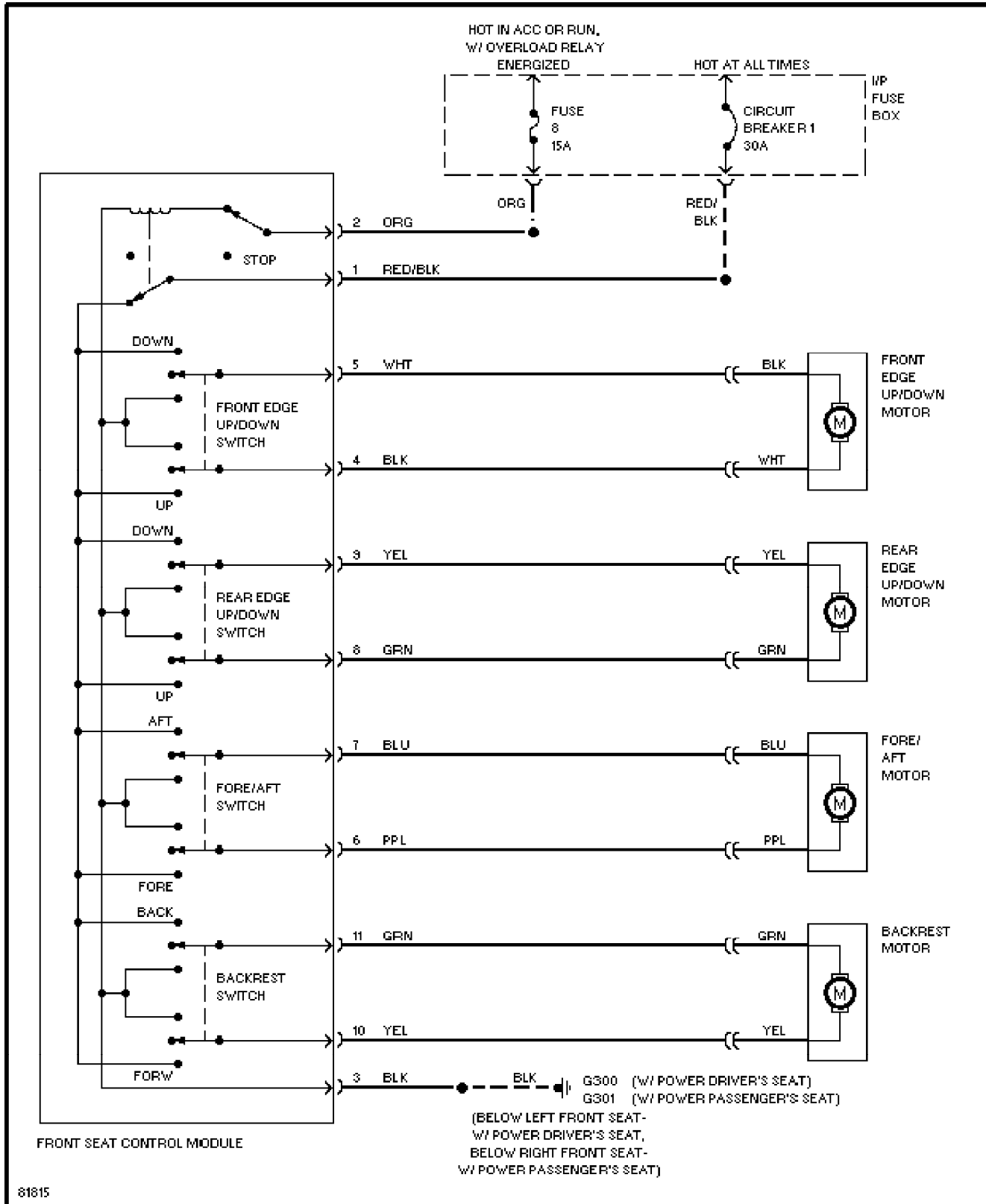
Power Seats Circuit

1996 Volvo 960

For x

Copyright © 1998 Mitchell Repair Information Company, LLC

Saturday, July 24, 2004 11:09AM



SYSTEM WIRING DIAGRAMS

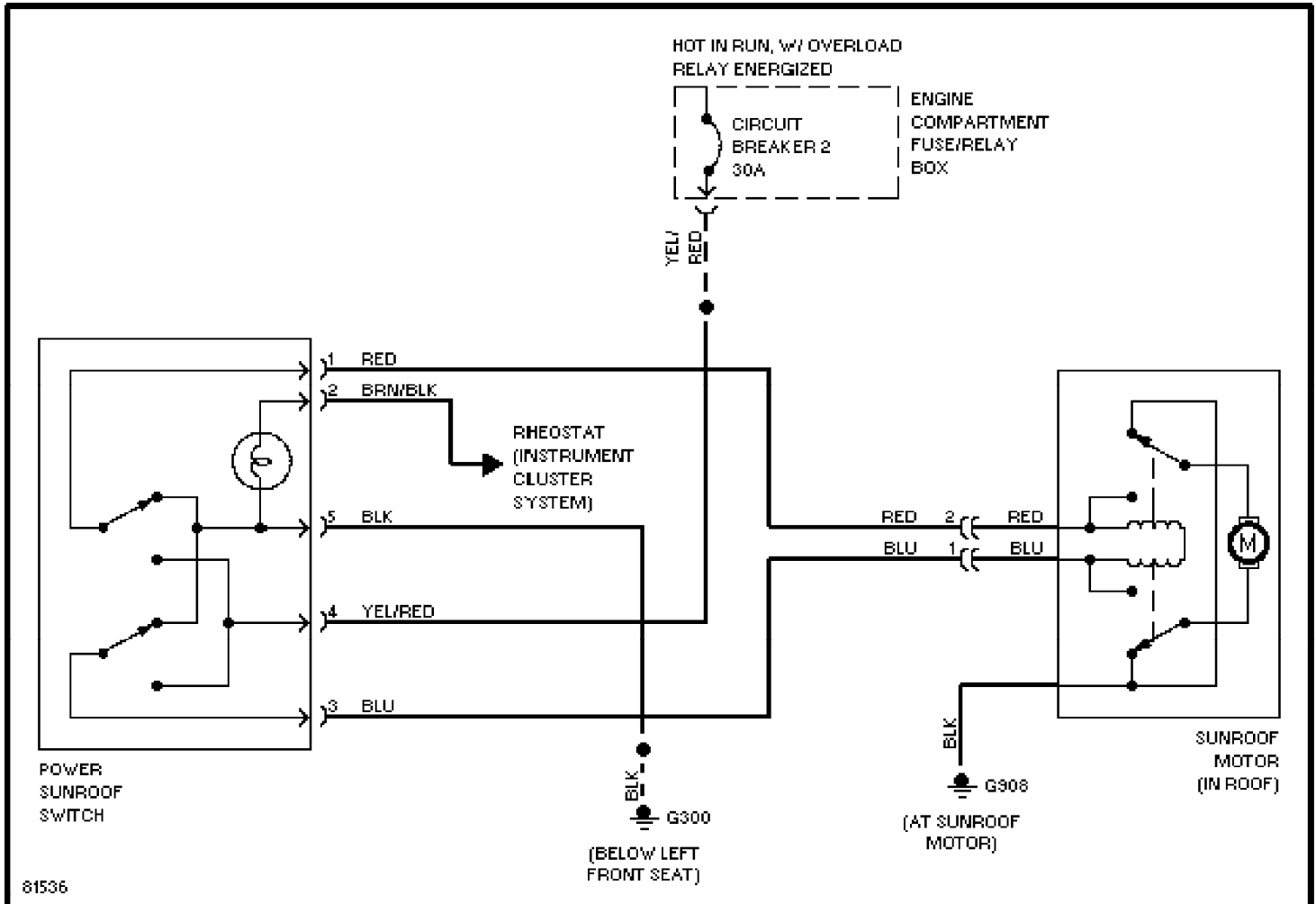
Power Top/Sunroof Circuits

1996 Volvo 960

For x

Copyright © 1998 Mitchell Repair Information Company, LLC

Saturday, July 24, 2004 11:09AM



SYSTEM WIRING DIAGRAMS

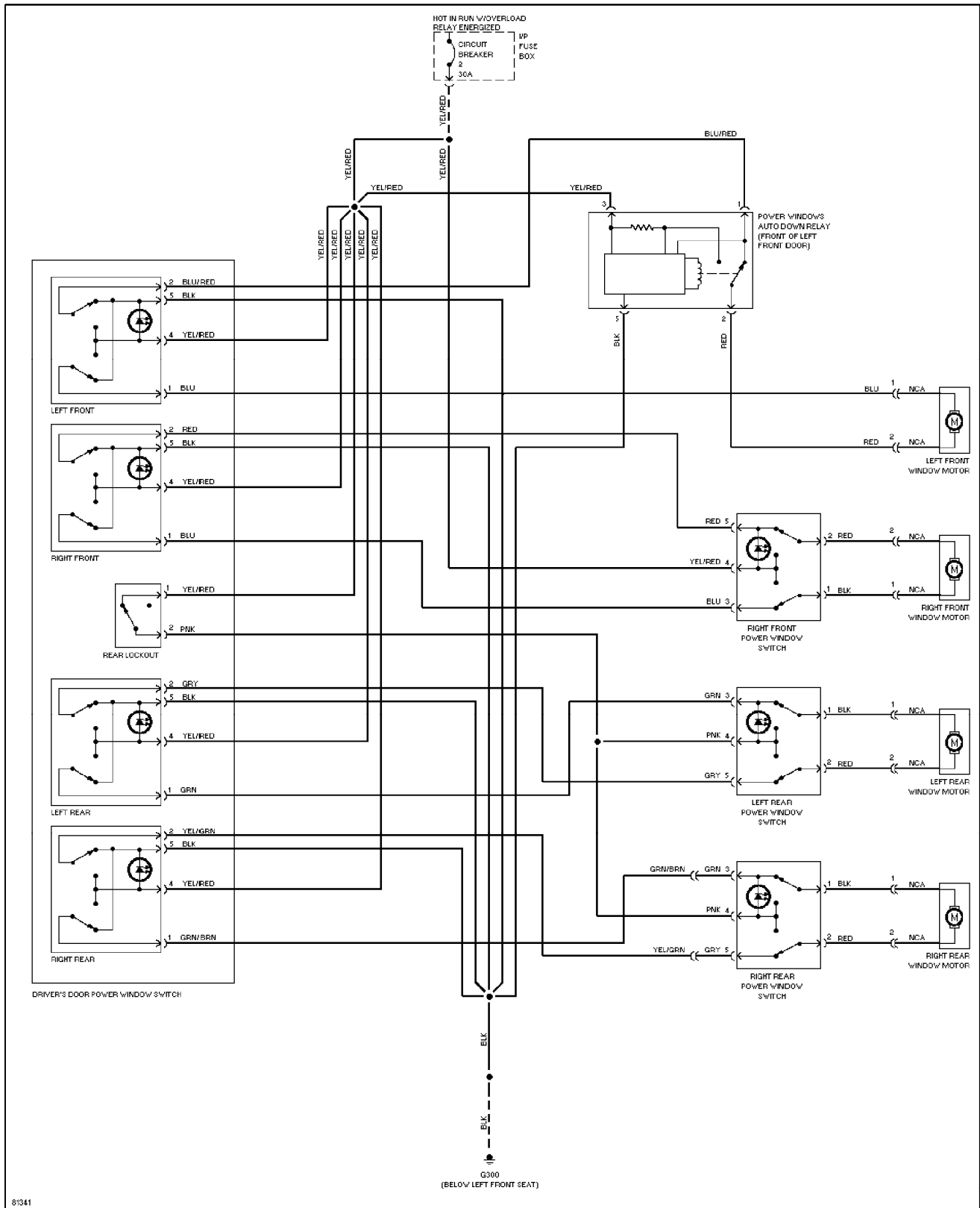
Power Window Circuit

1996 Volvo 960

For x

Copyright © 1998 Mitchell Repair Information Company, LLC

Saturday, July 24, 2004 11:09AM



SYSTEM WIRING DIAGRAMS

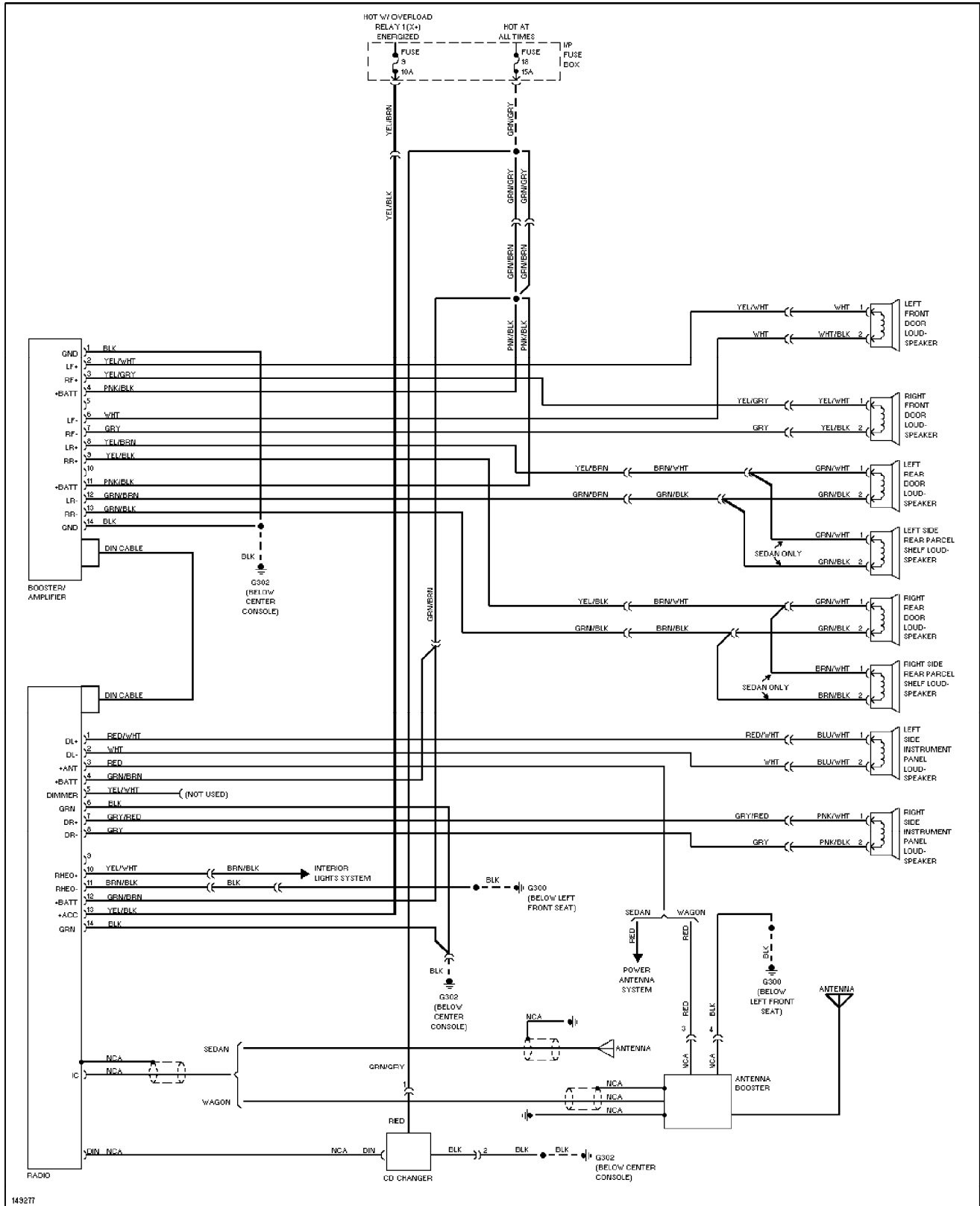
Radio Circuits, W/ Amplifier

1996 Volvo 960

For x

Copyright © 1998 Mitchell Repair Information Company, LLC

Saturday, July 24, 2004 11:09AM



SYSTEM WIRING DIAGRAMS

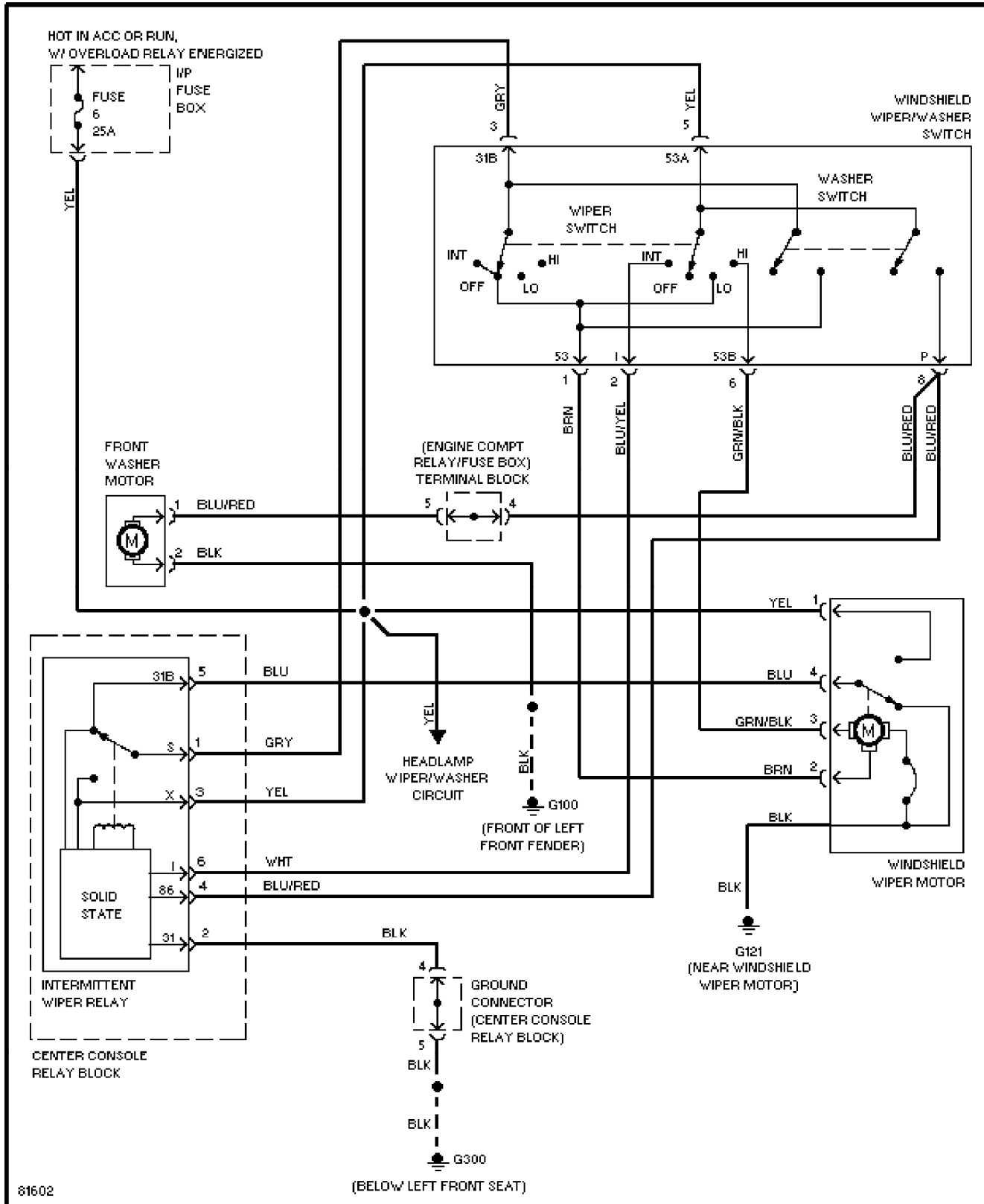
Front Wiper/Washer Circuit

1996 Volvo 960

For x

Copyright © 1998 Mitchell Repair Information Company, LLC

Saturday, July 24, 2004 11:10AM



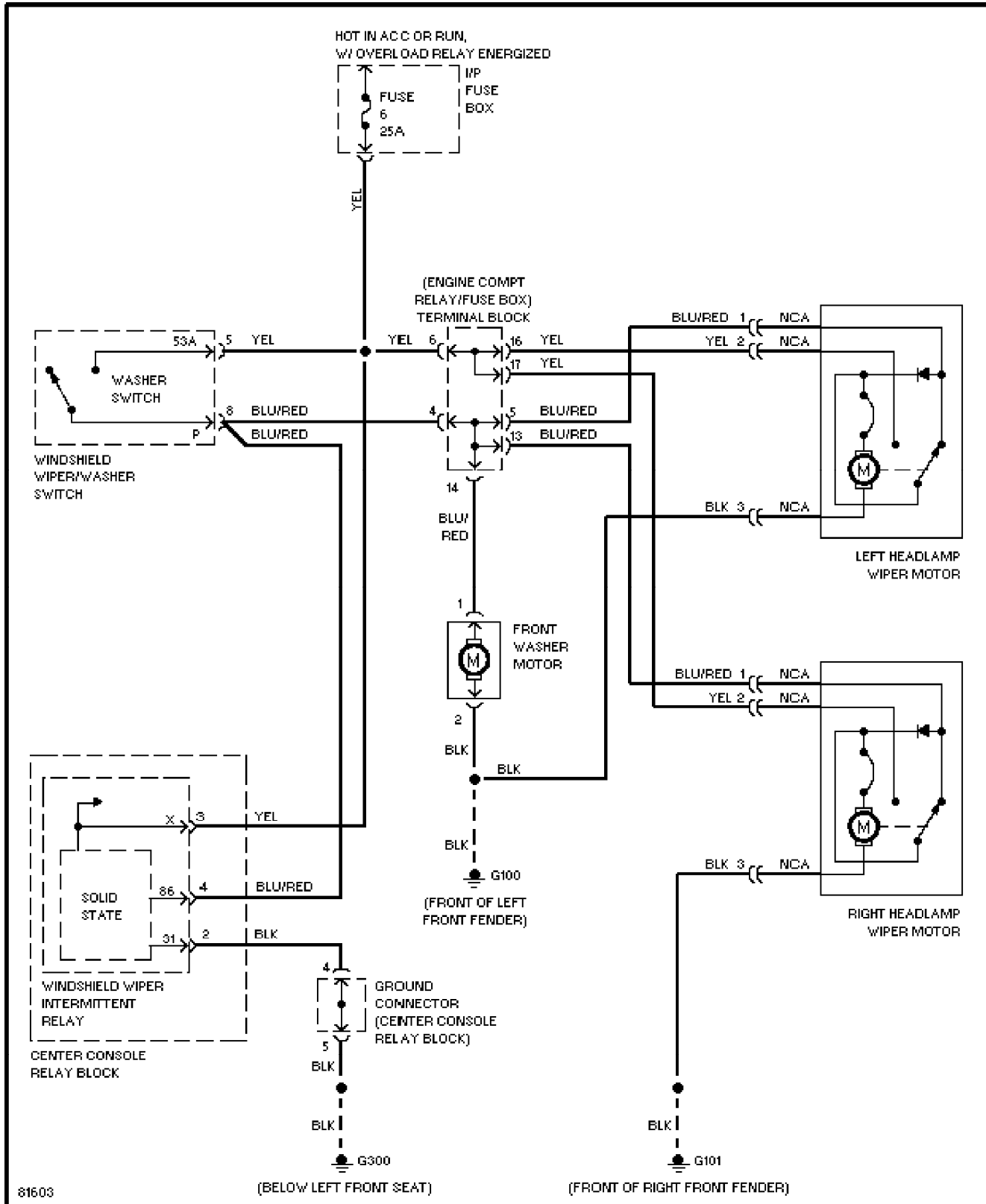
SYSTEM WIRING DIAGRAMS

Headlamp Wiper/Washer Circuit

1996 Volvo 960

For x

Copyright © 1998 Mitchell Repair Information Company, LLC
Saturday, July 24, 2004 11:11AM



SYSTEM WIRING DIAGRAMS

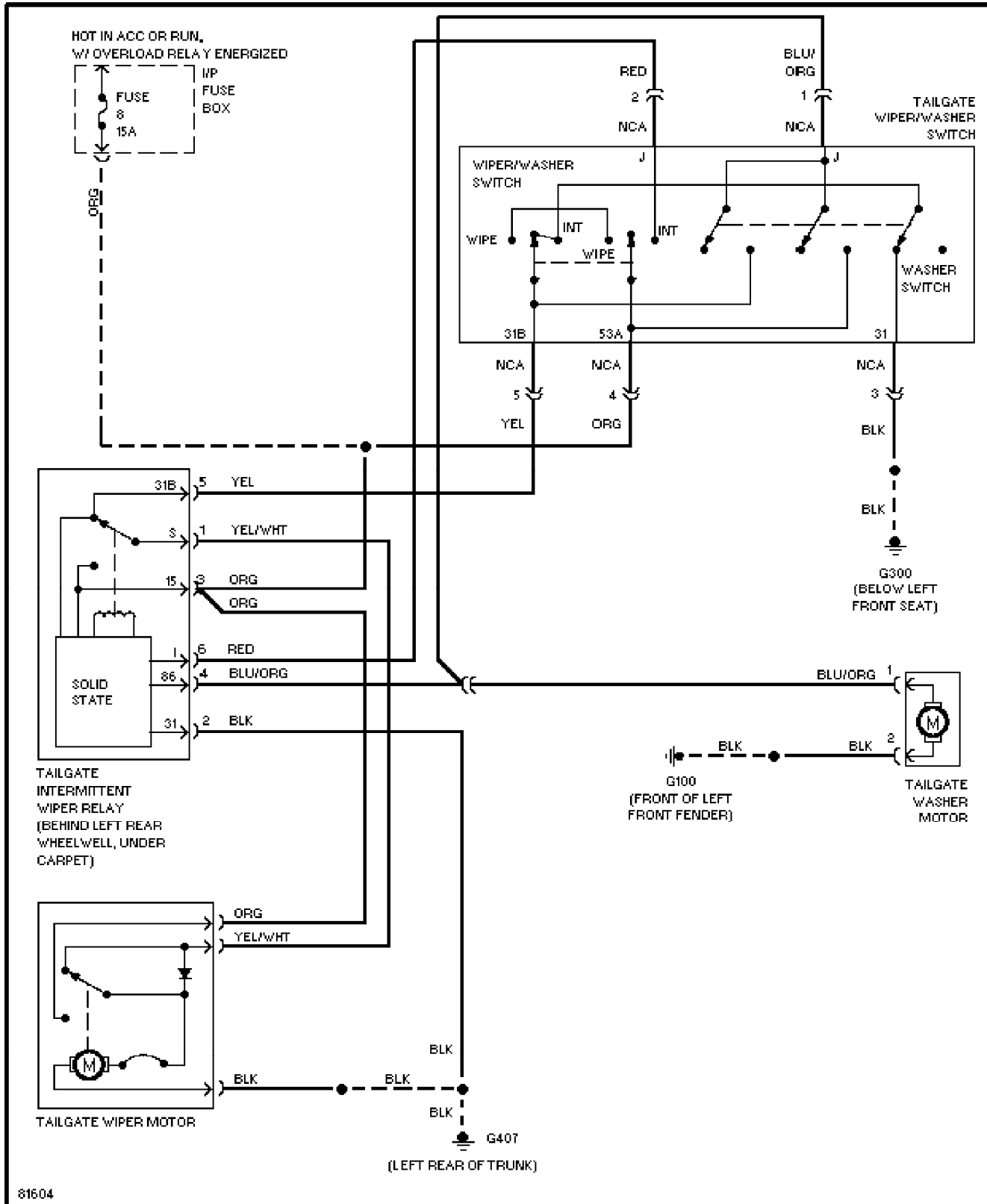
Rear Wiper/Washer Circuit

1996 Volvo 960

For x

Copyright © 1998 Mitchell Repair Information Company, LLC

Saturday, July 24, 2004 11:11AM



SYSTEM WIRING DIAGRAMS

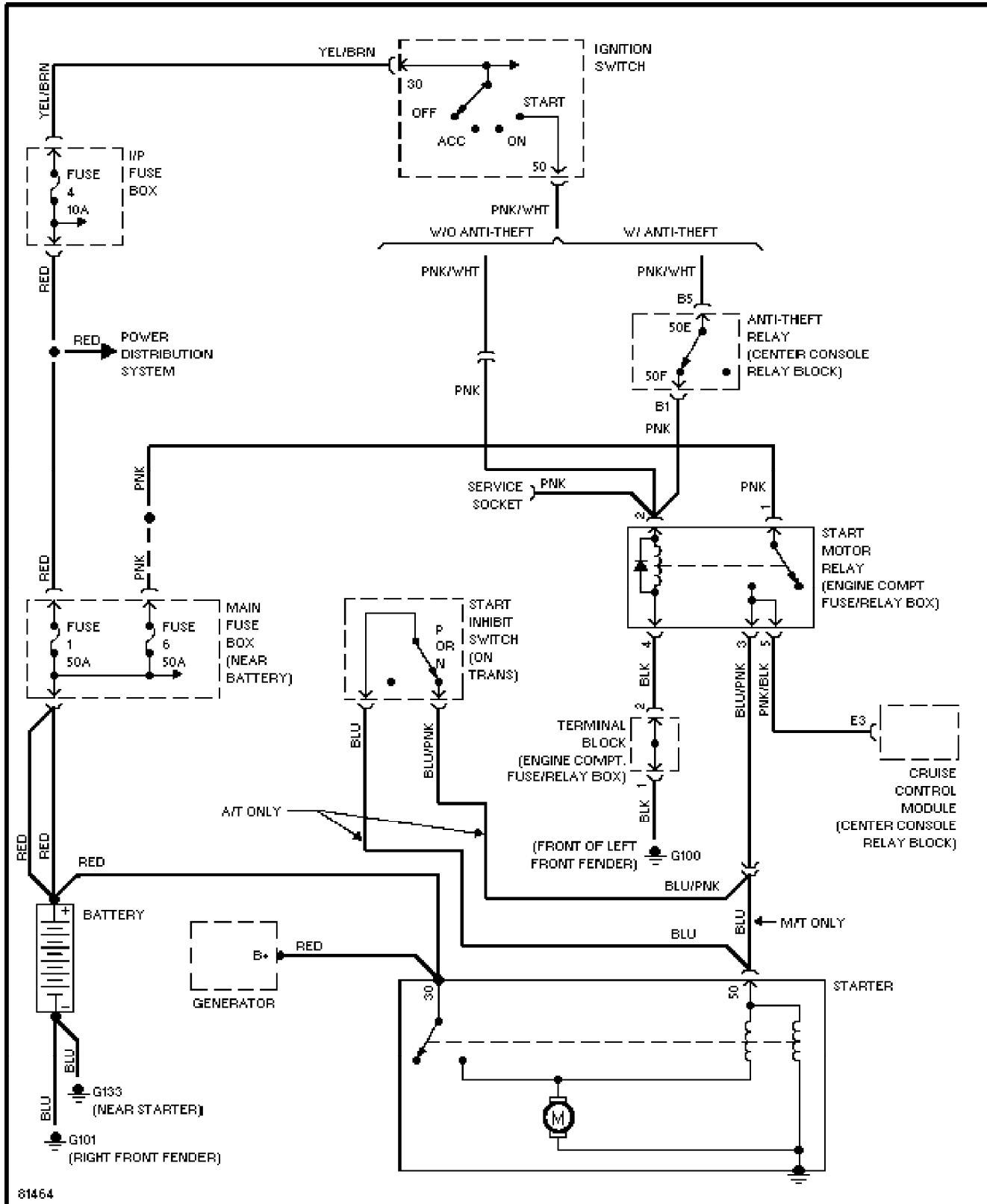
Starting Circuit

1996 Volvo 960

For x

Copyright © 1998 Mitchell Repair Information Company, LLC

Saturday, July 24, 2004 11:10AM



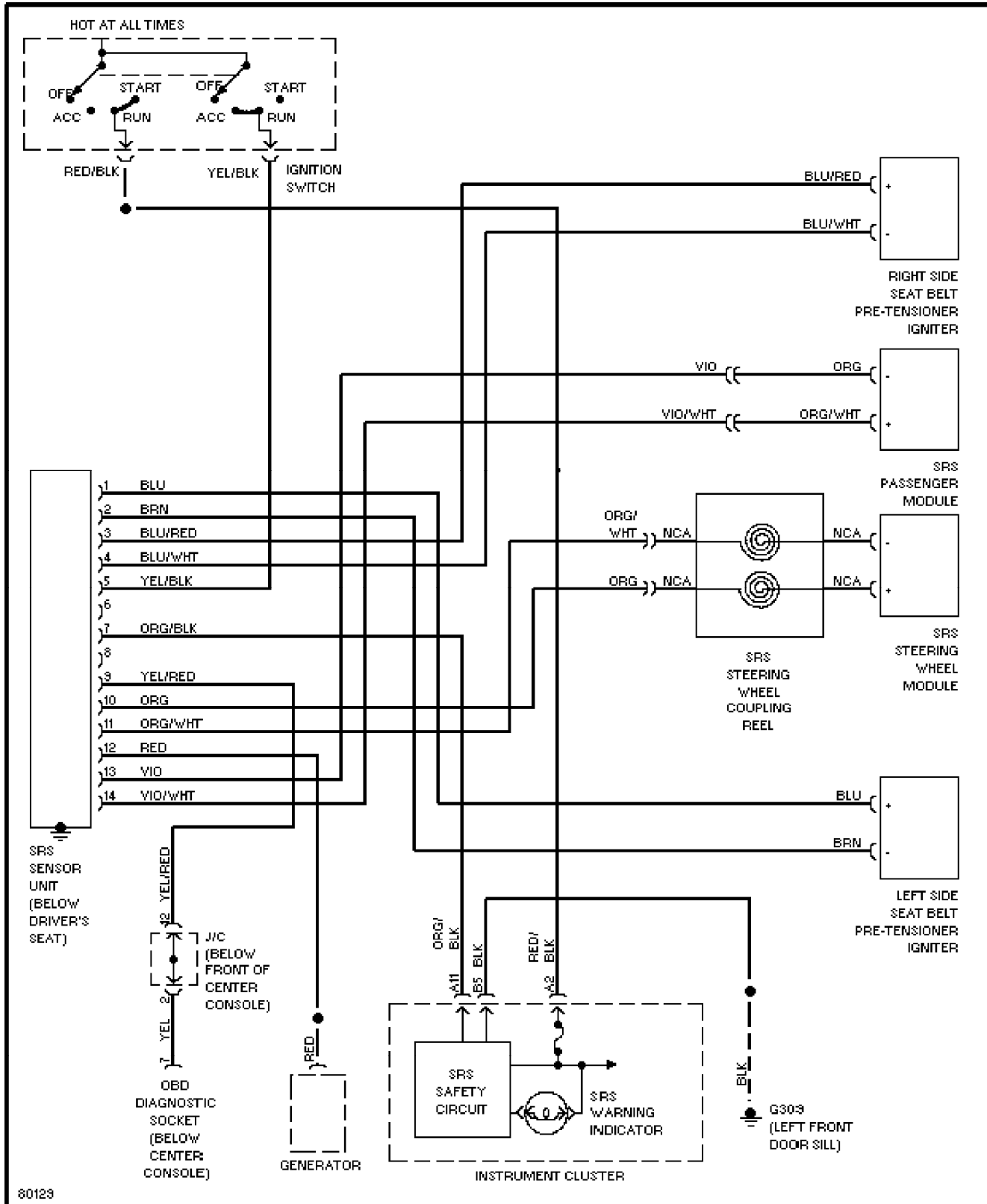
SYSTEM WIRING DIAGRAMS

Supplemental Restraint Circuit

1996 Volvo 960

For x

Copyright © 1998 Mitchell Repair Information Company, LLC
 Saturday, July 24, 2004 11:10AM



SYSTEM WIRING DIAGRAMS

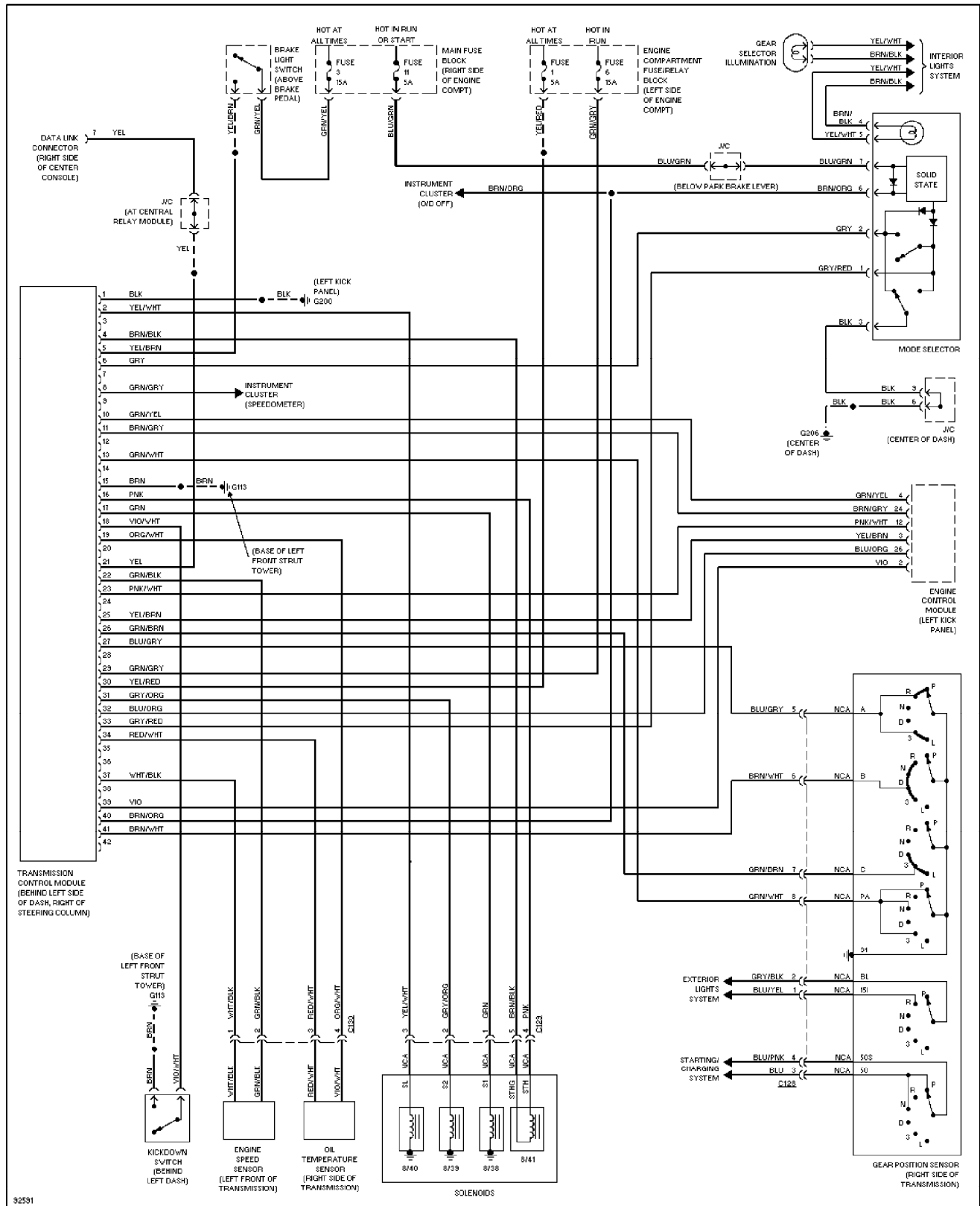
Transmission Circuit

1996 Volvo 960

For x

Copyright © 1998 Mitchell Repair Information Company, LLC

Saturday, July 24, 2004 11:10AM



SYSTEM WIRING DIAGRAMS

Warning System Circuits

1996 Volvo 960

For x

Copyright © 1998 Mitchell Repair Information Company, LLC

Saturday, July 24, 2004 11:10AM

