

SYSTEM WIRING DIAGRAMS

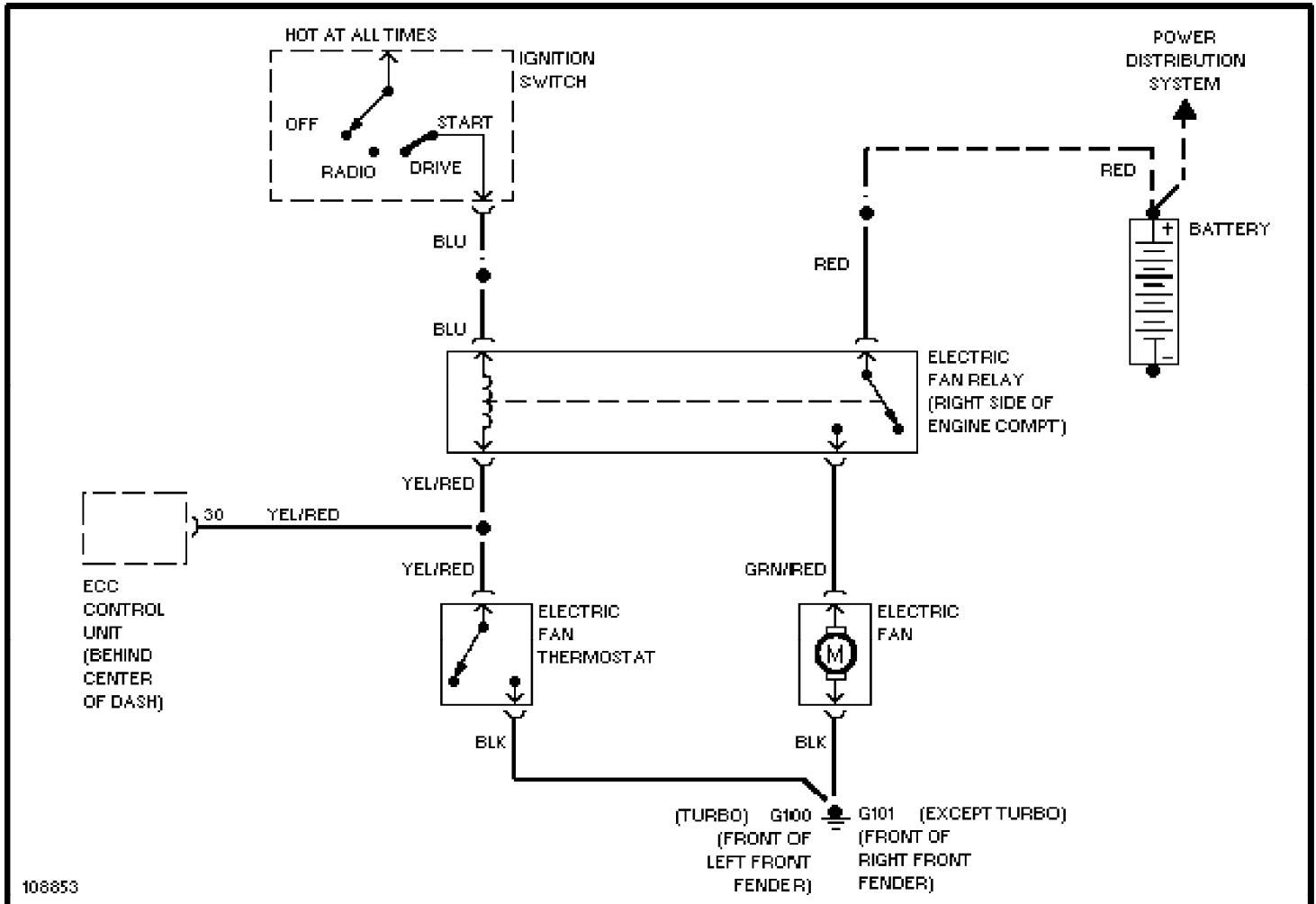
Cooling Fan Circuit

1988 Volvo 760

For x

Copyright © 1998 Mitchell Repair Information Company, LLC

Friday, July 23, 2004 08:49PM



SYSTEM WIRING DIAGRAMS

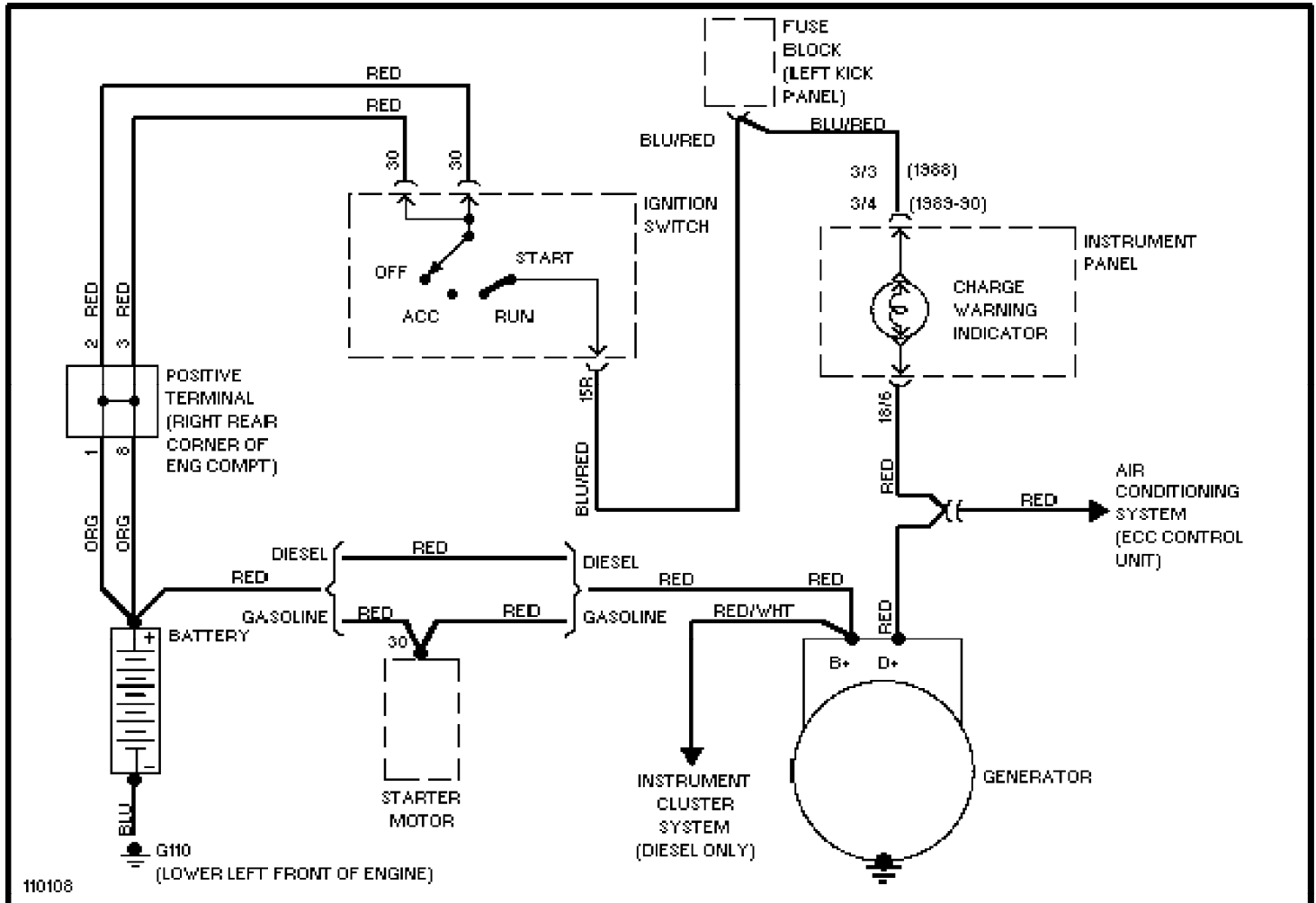
Charging Circuit

1988 Volvo 760

For x

Copyright © 1998 Mitchell Repair Information Company, LLC

Friday, July 23, 2004 08:56PM



SYSTEM WIRING DIAGRAMS

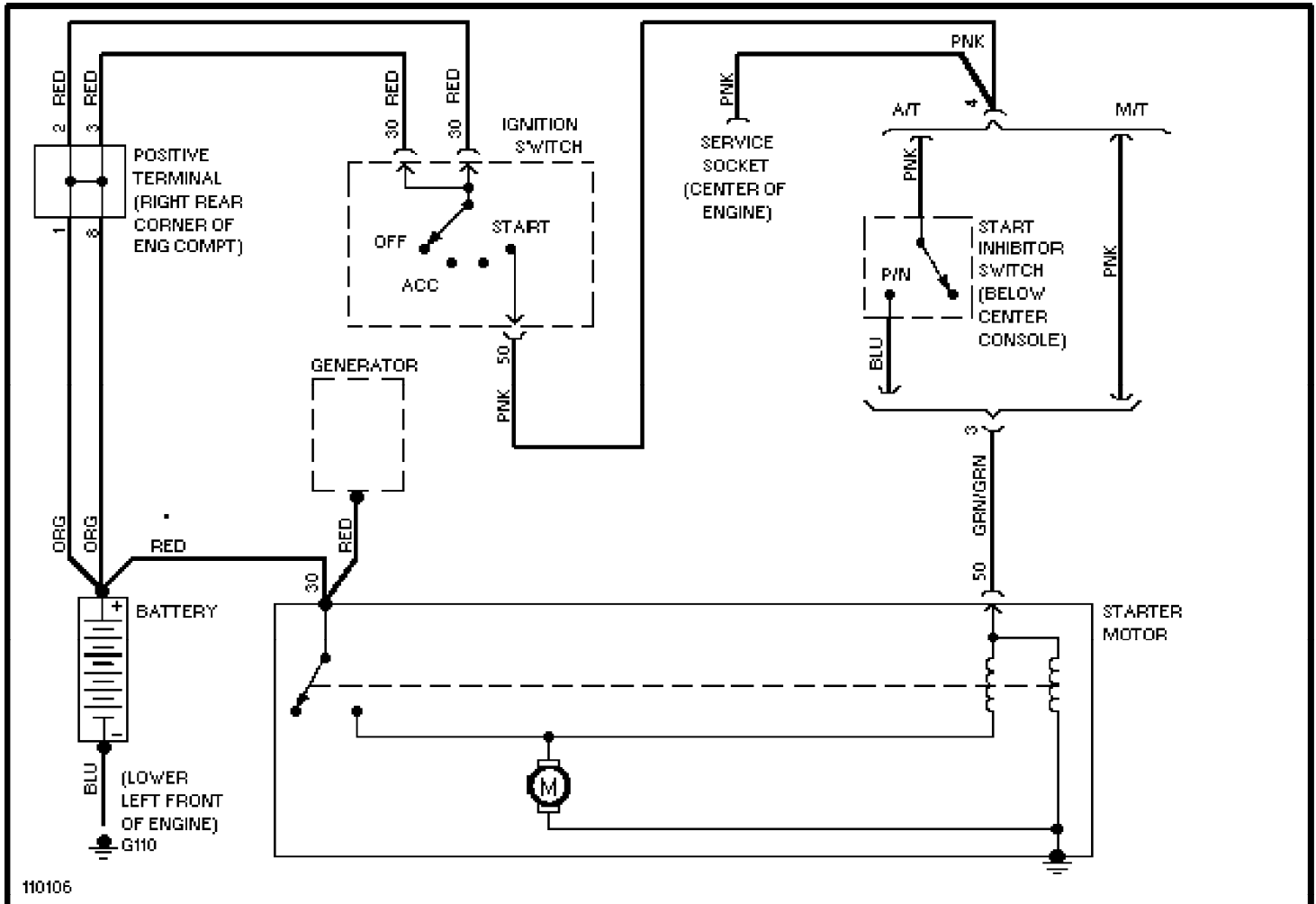
Starting Circuit

1988 Volvo 760

For x

Copyright © 1998 Mitchell Repair Information Company, LLC

Friday, July 23, 2004 08:56PM



SYSTEM WIRING DIAGRAMS

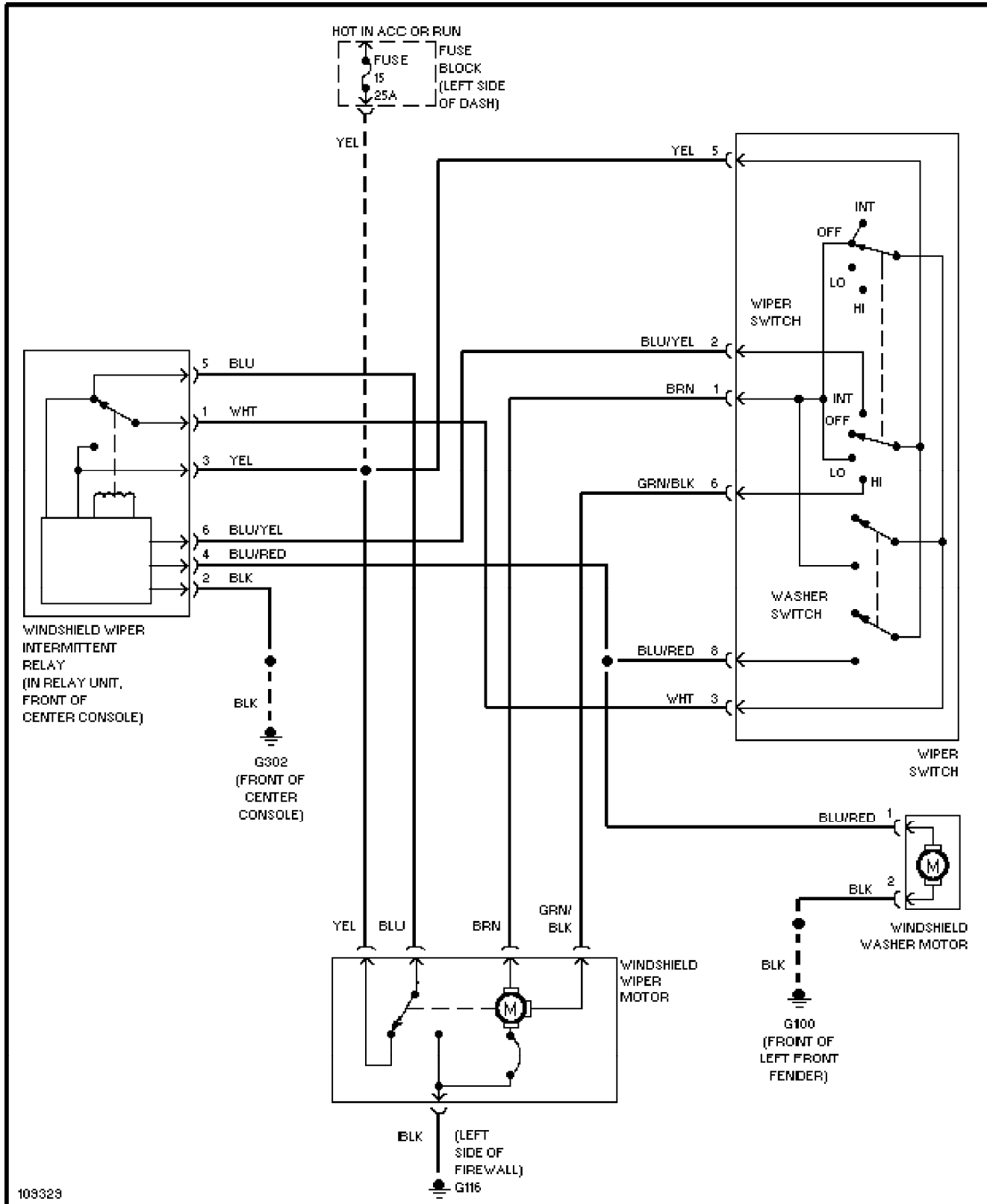
Front Wiper/Washer Circuit

1988 Volvo 760

For x

Copyright © 1998 Mitchell Repair Information Company, LLC

Friday, July 23, 2004 08:56PM



SYSTEM WIRING DIAGRAMS

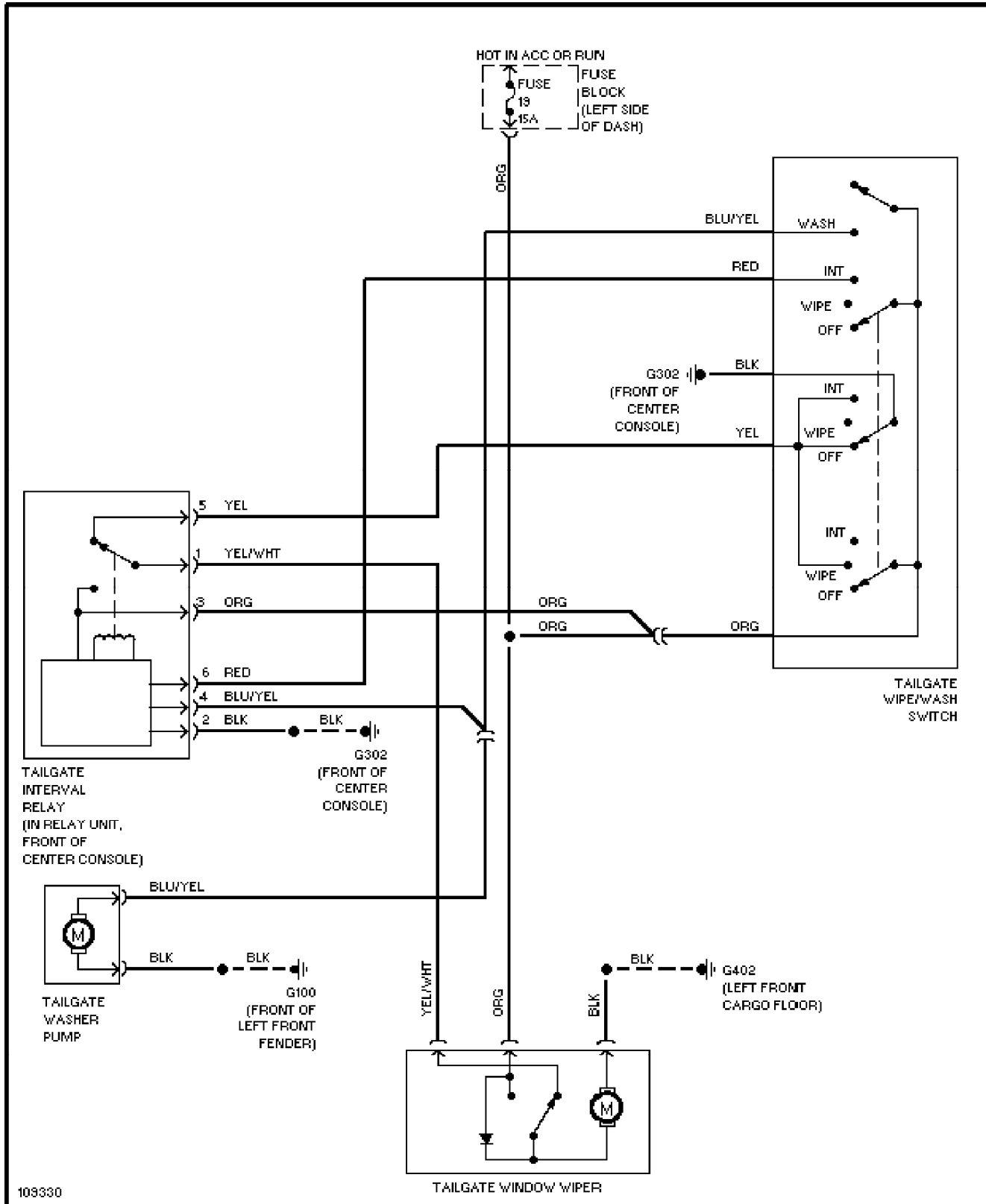
Rear Wiper/Washer Circuit

1988 Volvo 760

For x

Copyright © 1998 Mitchell Repair Information Company, LLC

Friday, July 23, 2004 08:56PM



SYSTEM WIRING DIAGRAMS

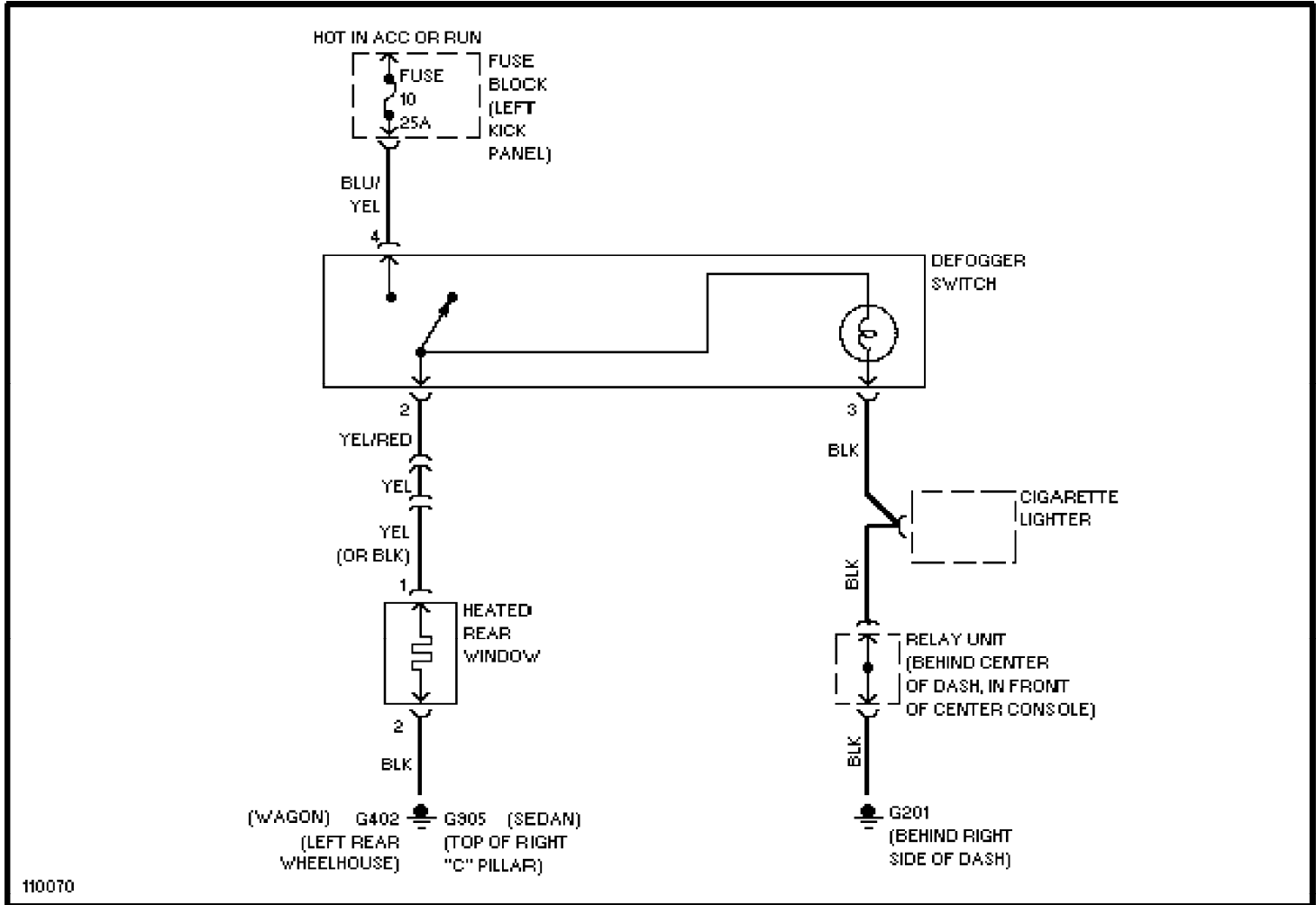
Defogger Circuit, W/O Heated Mirrors

1988 Volvo 760

For x

Copyright © 1998 Mitchell Repair Information Company, LLC

Friday, July 23, 2004 08:55PM



SYSTEM WIRING DIAGRAMS

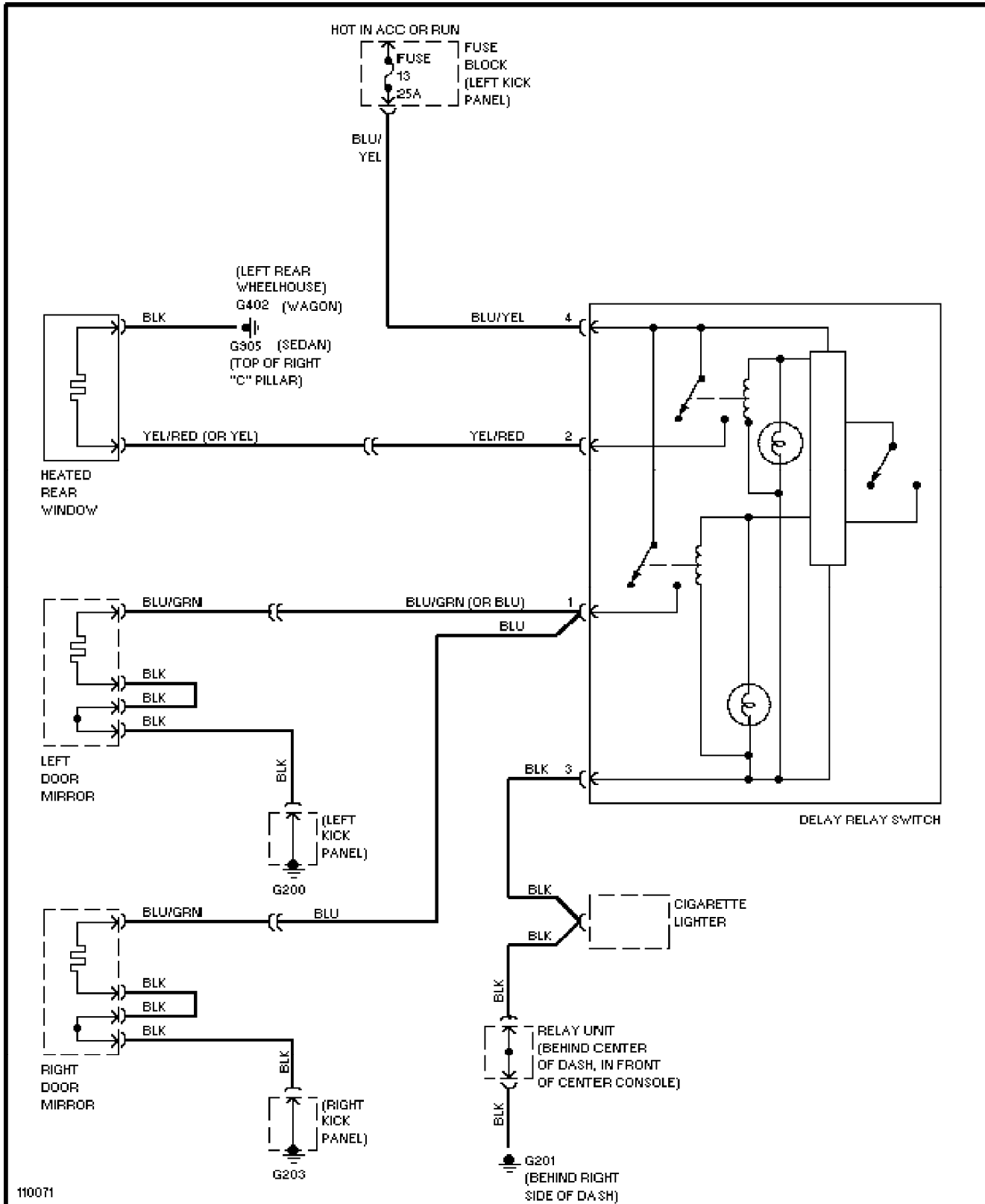
Rear Defogger & Heated Mirrors Circuit

1988 Volvo 760

For x

Copyright © 1998 Mitchell Repair Information Company, LLC

Friday, July 23, 2004 08:56PM



SYSTEM WIRING DIAGRAMS

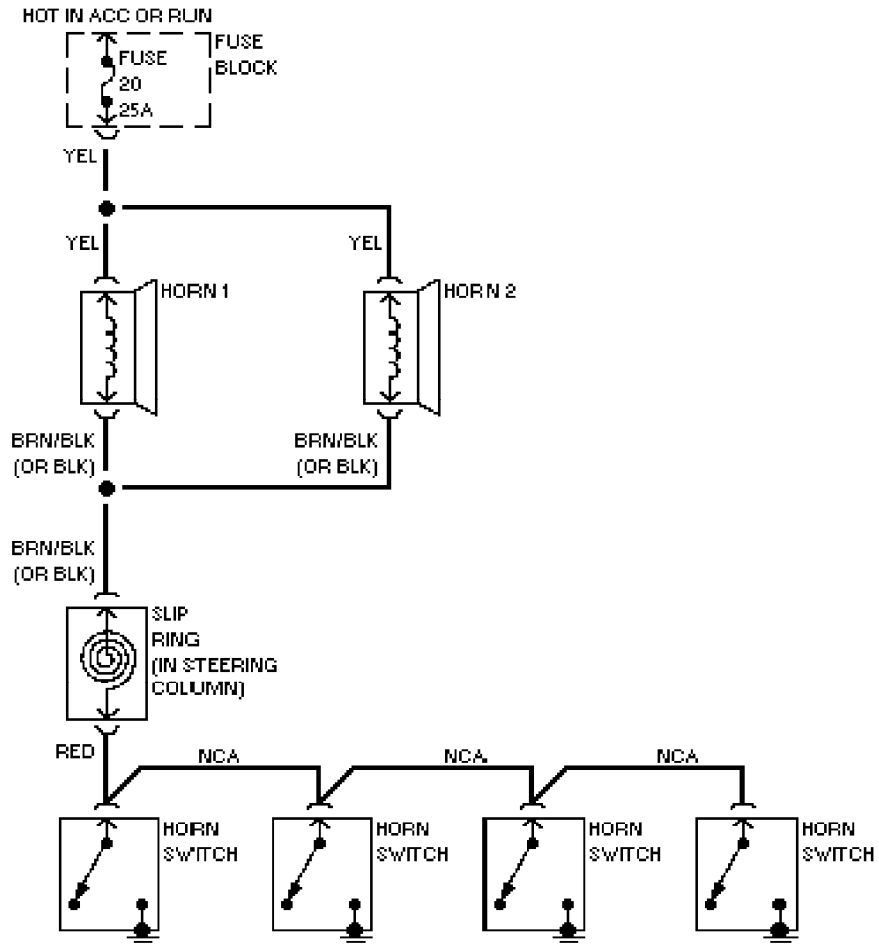
Horn Circuit

1988 Volvo 760

For x

Copyright © 1998 Mitchell Repair Information Company, LLC

Friday, July 23, 2004 08:56PM



SYSTEM WIRING DIAGRAMS

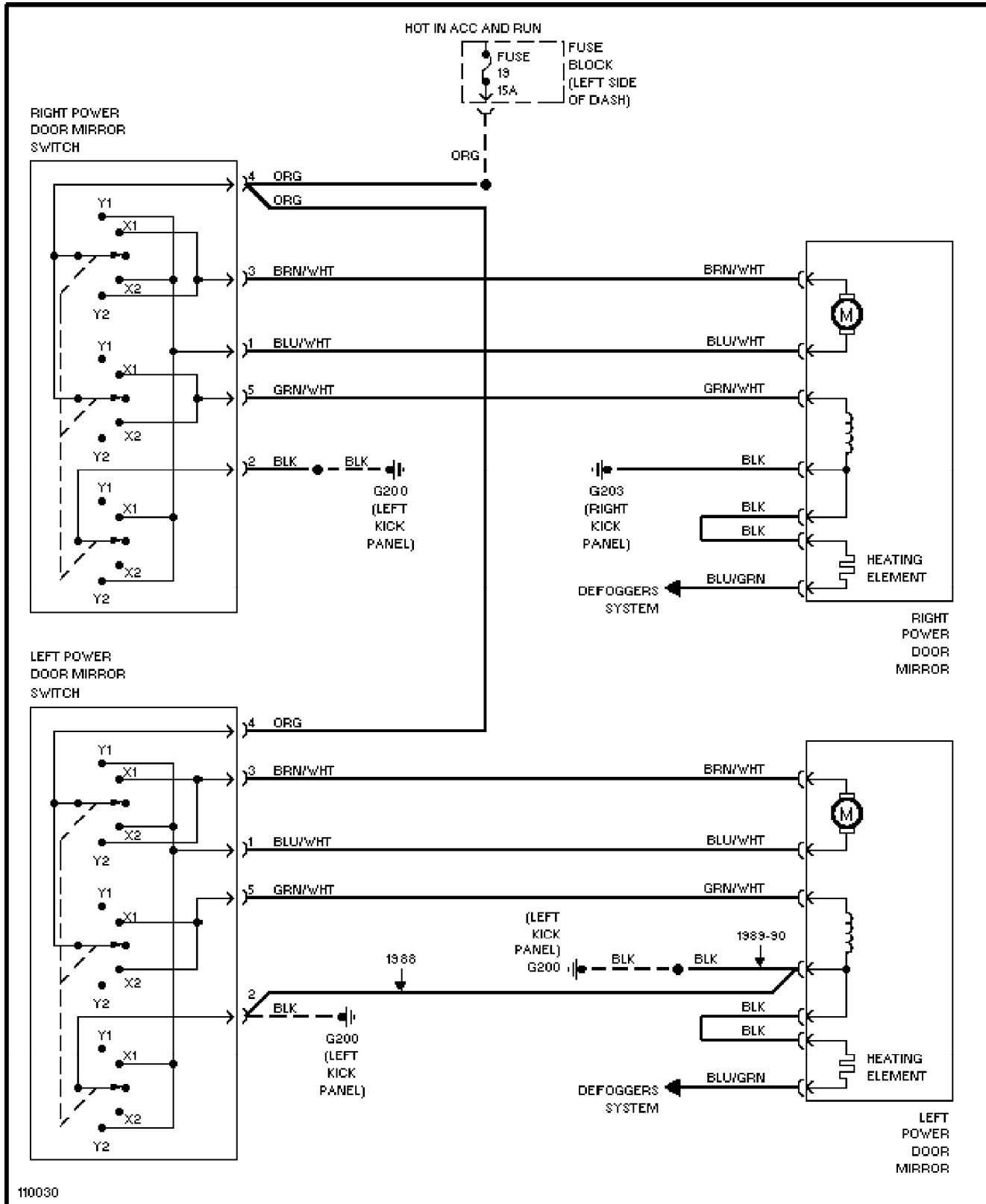
Power Mirror Circuit

1988 Volvo 760

For x

Copyright © 1998 Mitchell Repair Information Company, LLC

Friday, July 23, 2004 08:56PM



SYSTEM WIRING DIAGRAMS

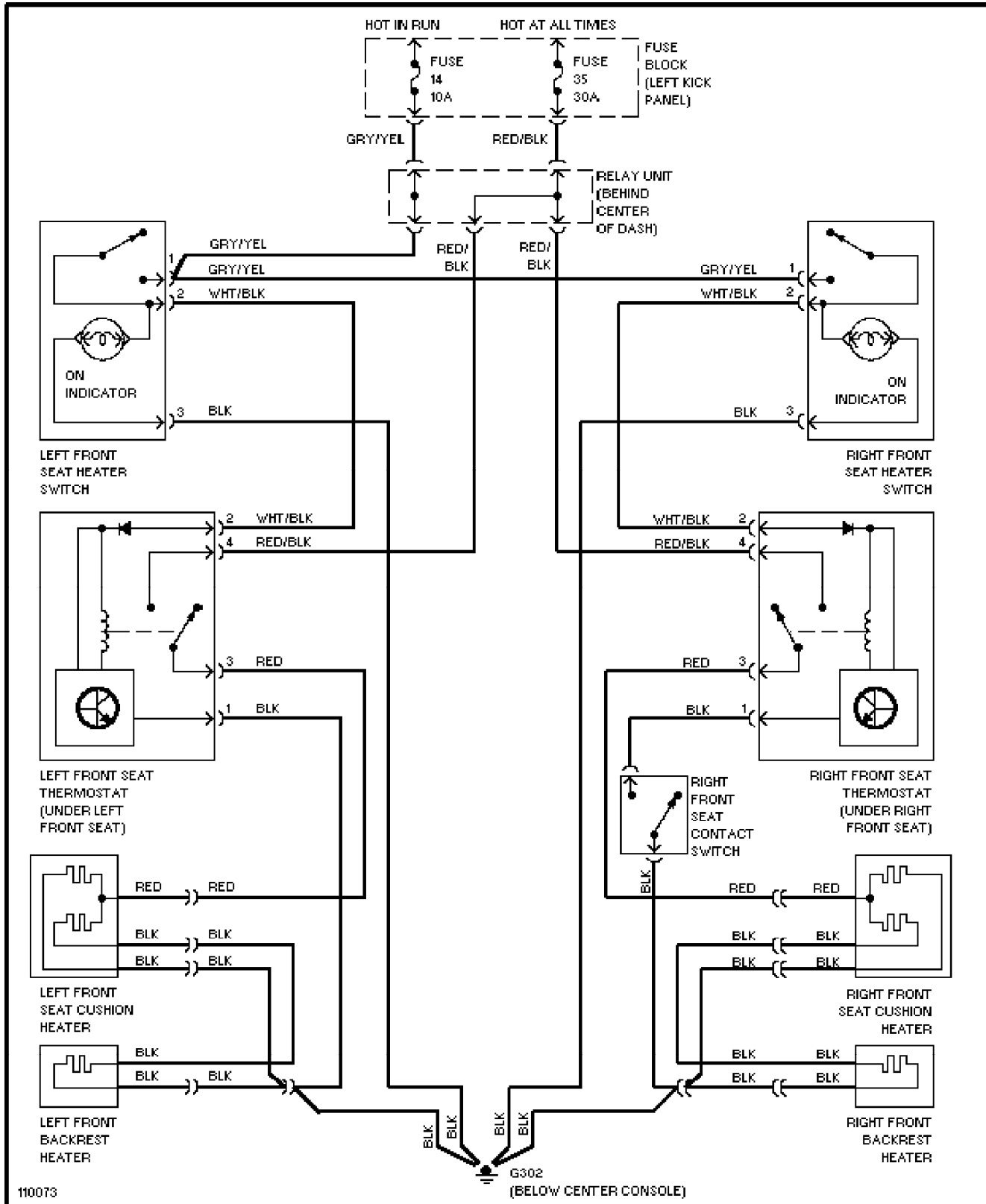
Heated Seats Circuit

1988 Volvo 760

For x

Copyright © 1998 Mitchell Repair Information Company, LLC

Friday, July 23, 2004 08:56PM



SYSTEM WIRING DIAGRAMS

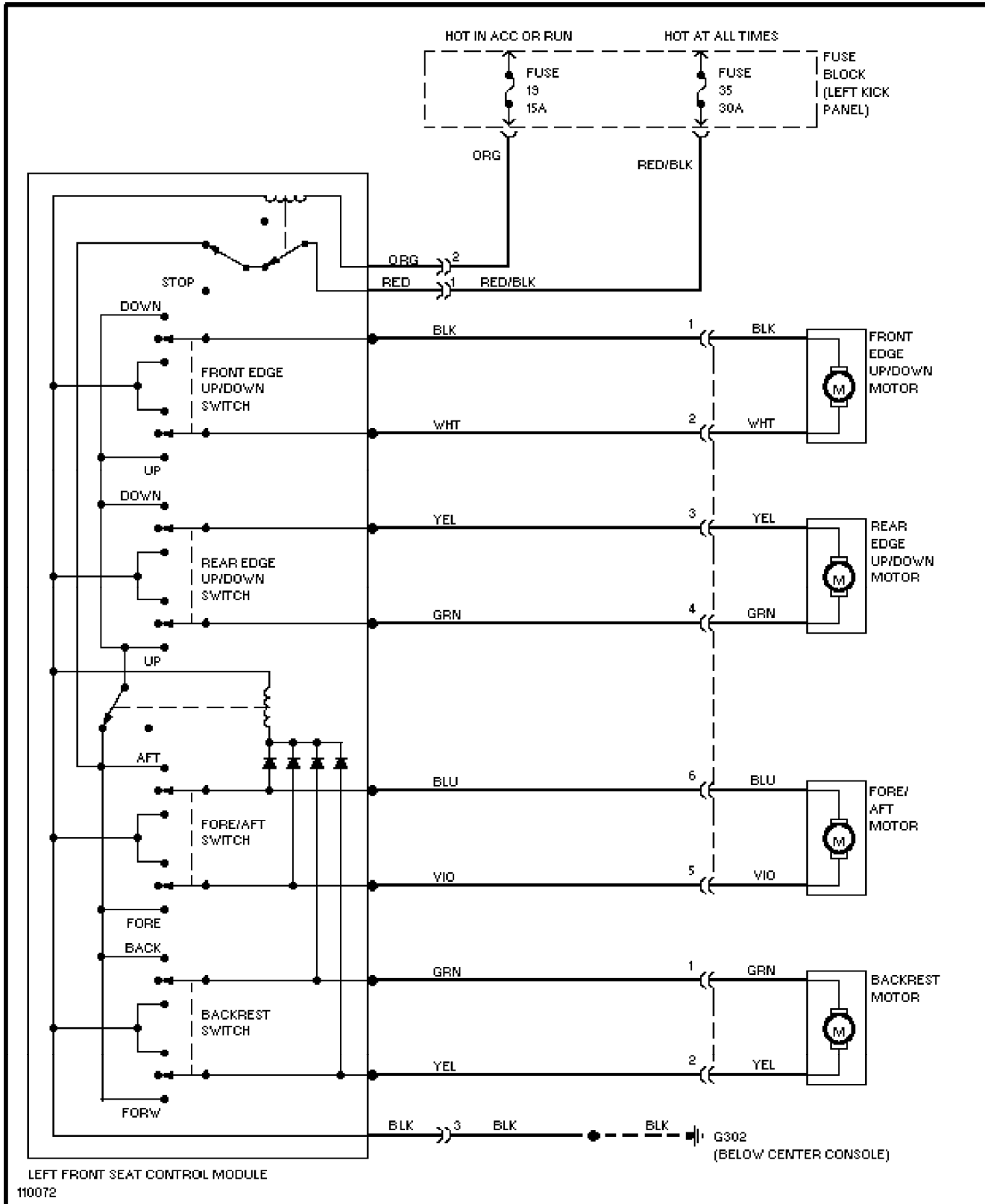
Power Seat Circuit

1988 Volvo 760

For x

Copyright © 1998 Mitchell Repair Information Company, LLC

Friday, July 23, 2004 08:56PM



SYSTEM WIRING DIAGRAMS

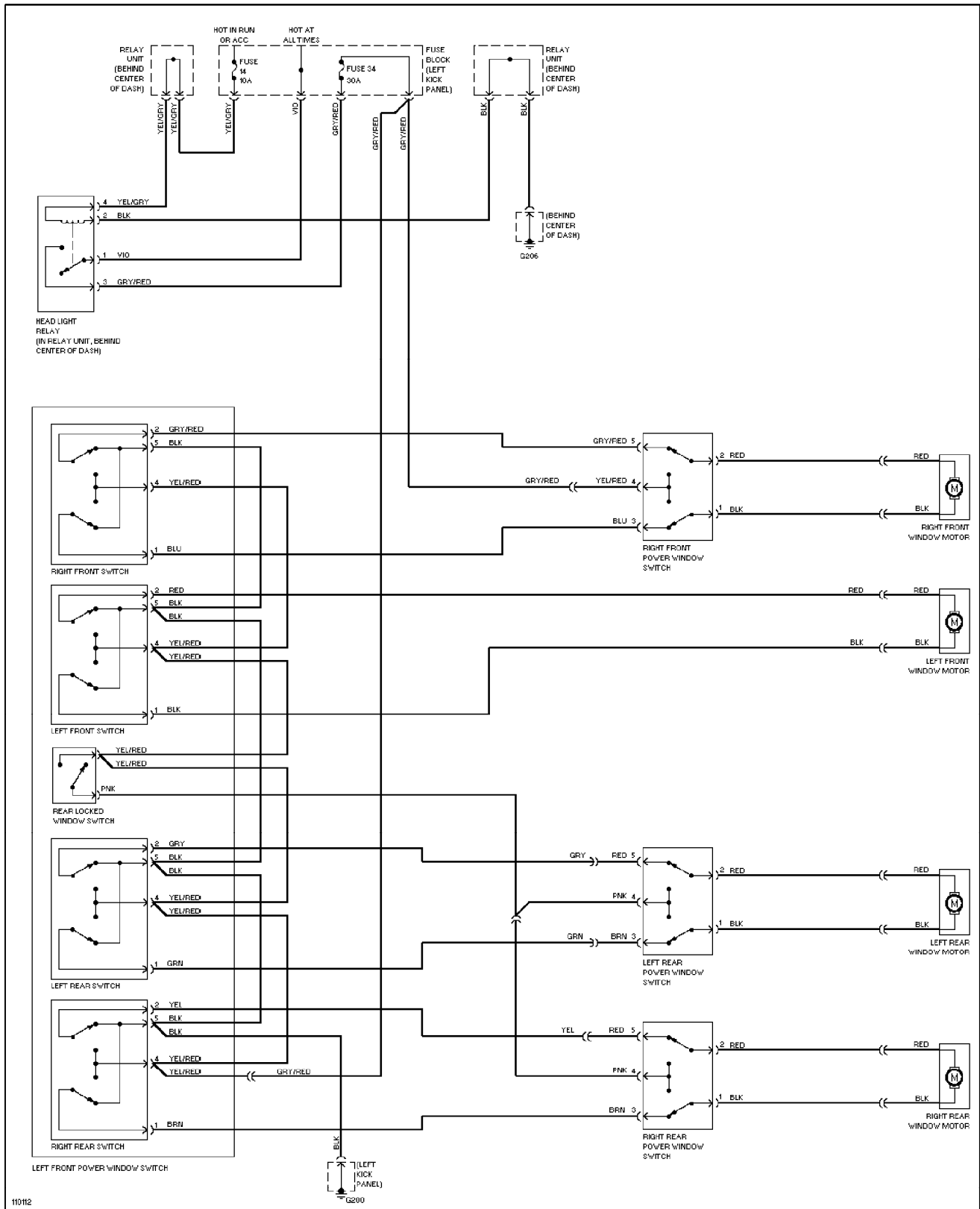
Power Window Circuit

1988 Volvo 760

For x

Copyright © 1998 Mitchell Repair Information Company, LLC

Friday, July 23, 2004 08:56PM



SYSTEM WIRING DIAGRAMS

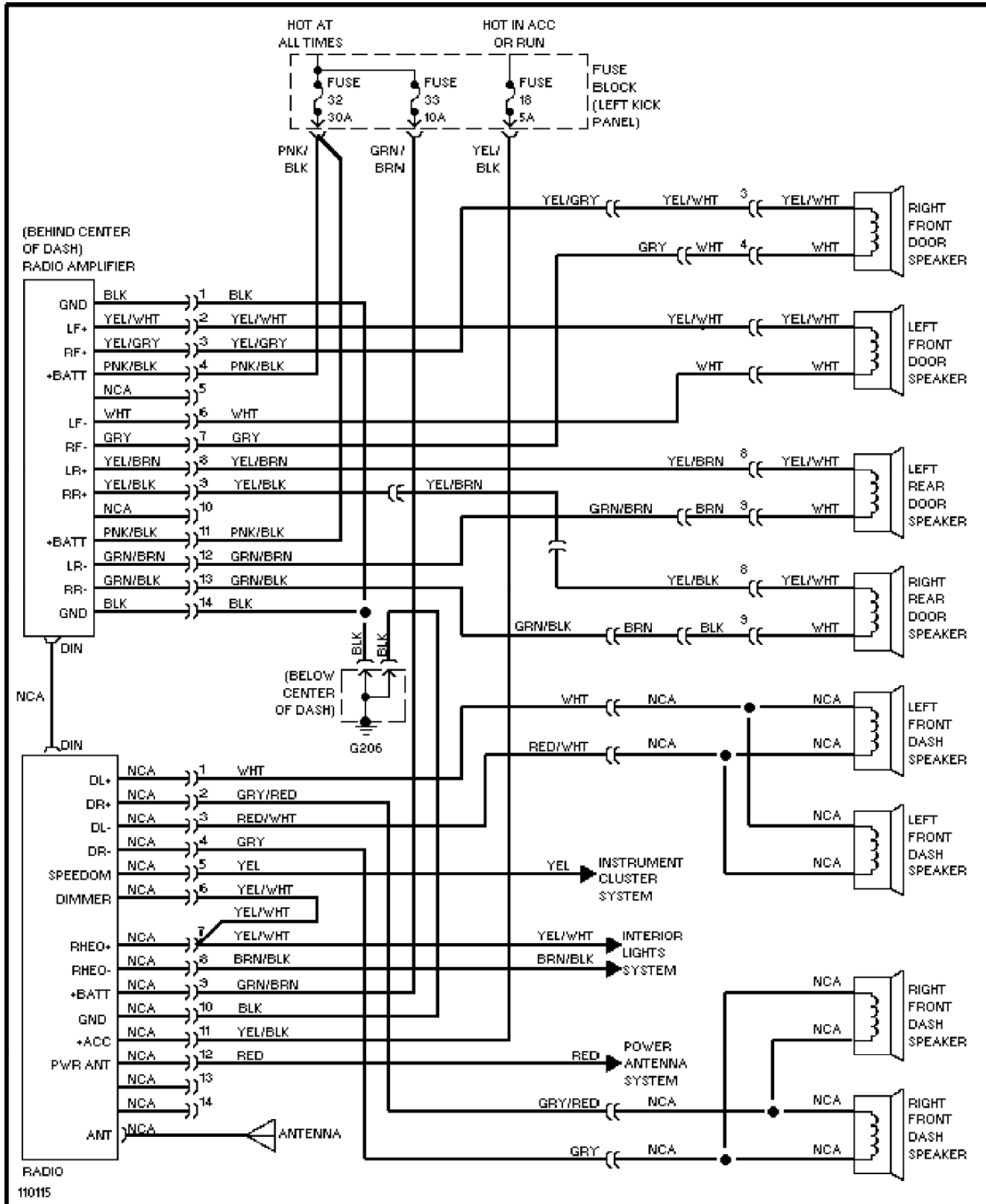
Radio Circuits

1988 Volvo 760

For x

Copyright © 1998 Mitchell Repair Information Company, LLC

Friday, July 23, 2004 08:56PM



WIRING DIAGRAMS

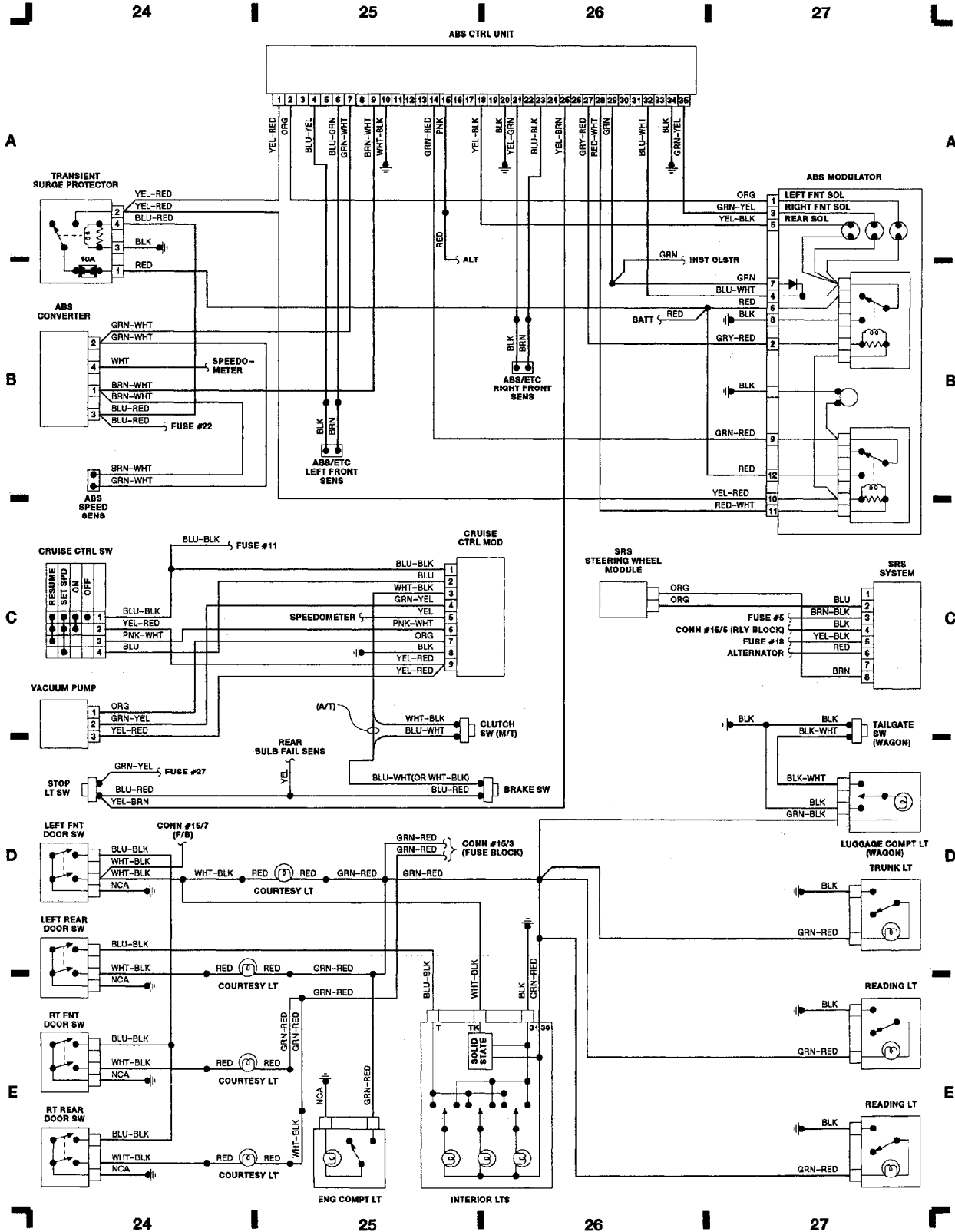
Fig. 7: Anti-Lock Brake System, Cruise Control & Accessories

1988 Volvo 760

For x

Copyright © 1998 Mitchell Repair Information Company, LLC

Friday, July 23, 2004 08:57PM



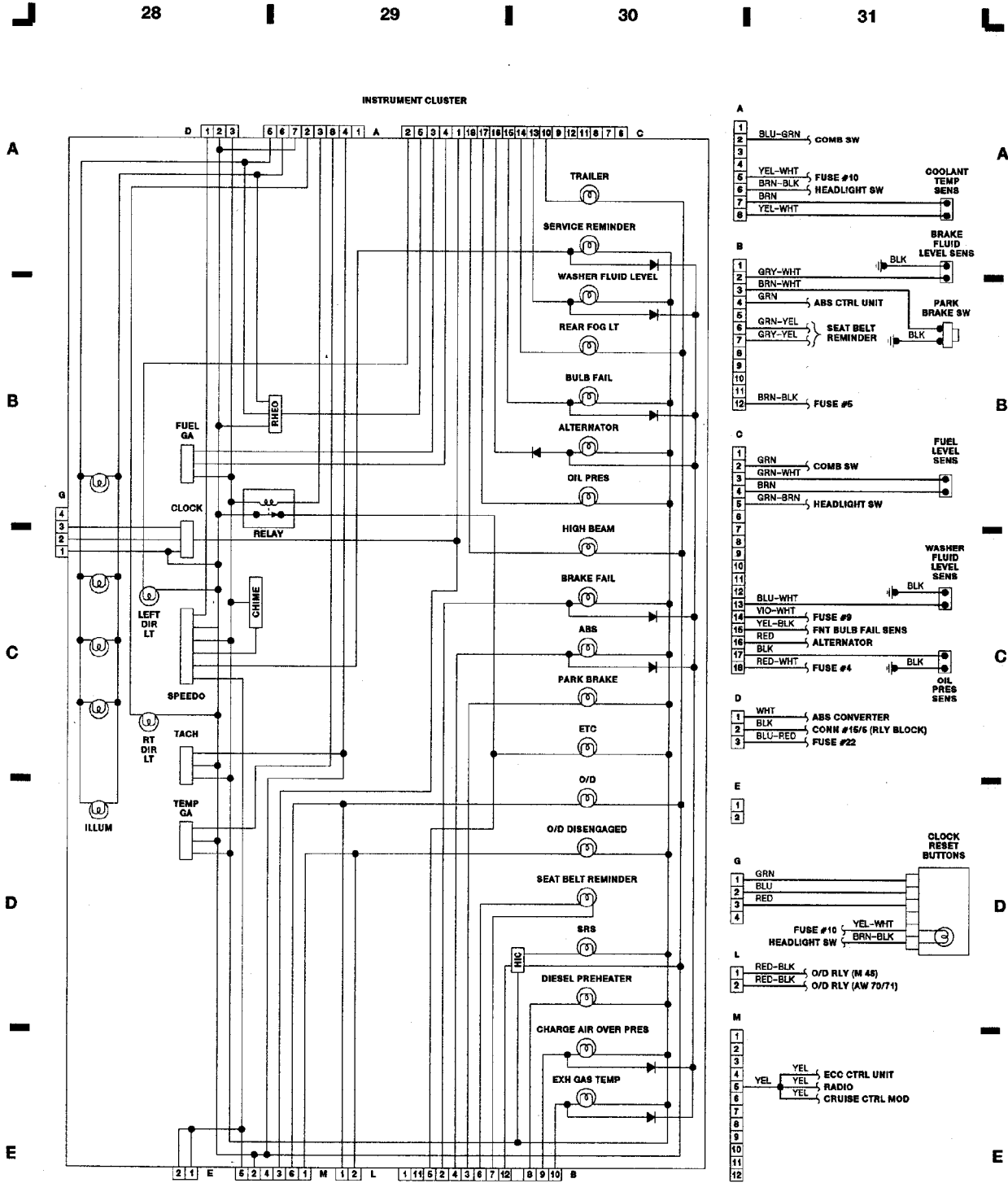
WIRING DIAGRAMS

Fig. 8: Instrument Panel

1988 Volvo 760

For x

Copyright © 1998 Mitchell Repair Information Company, LLC
Friday, July 23, 2004 08:57PM

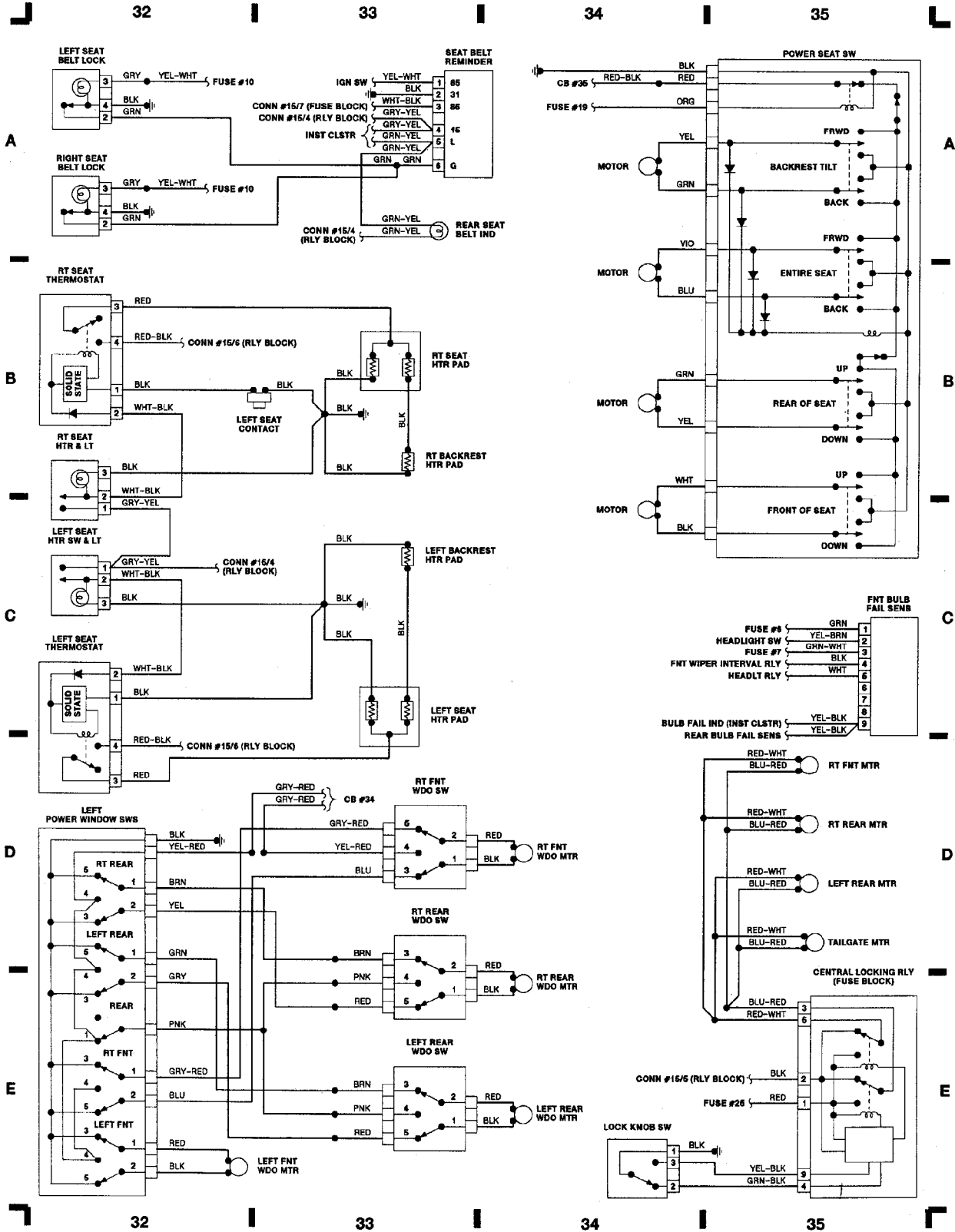


WIRING DIAGRAMS

Fig. 9: Passenger Compartment

1988 Volvo 760

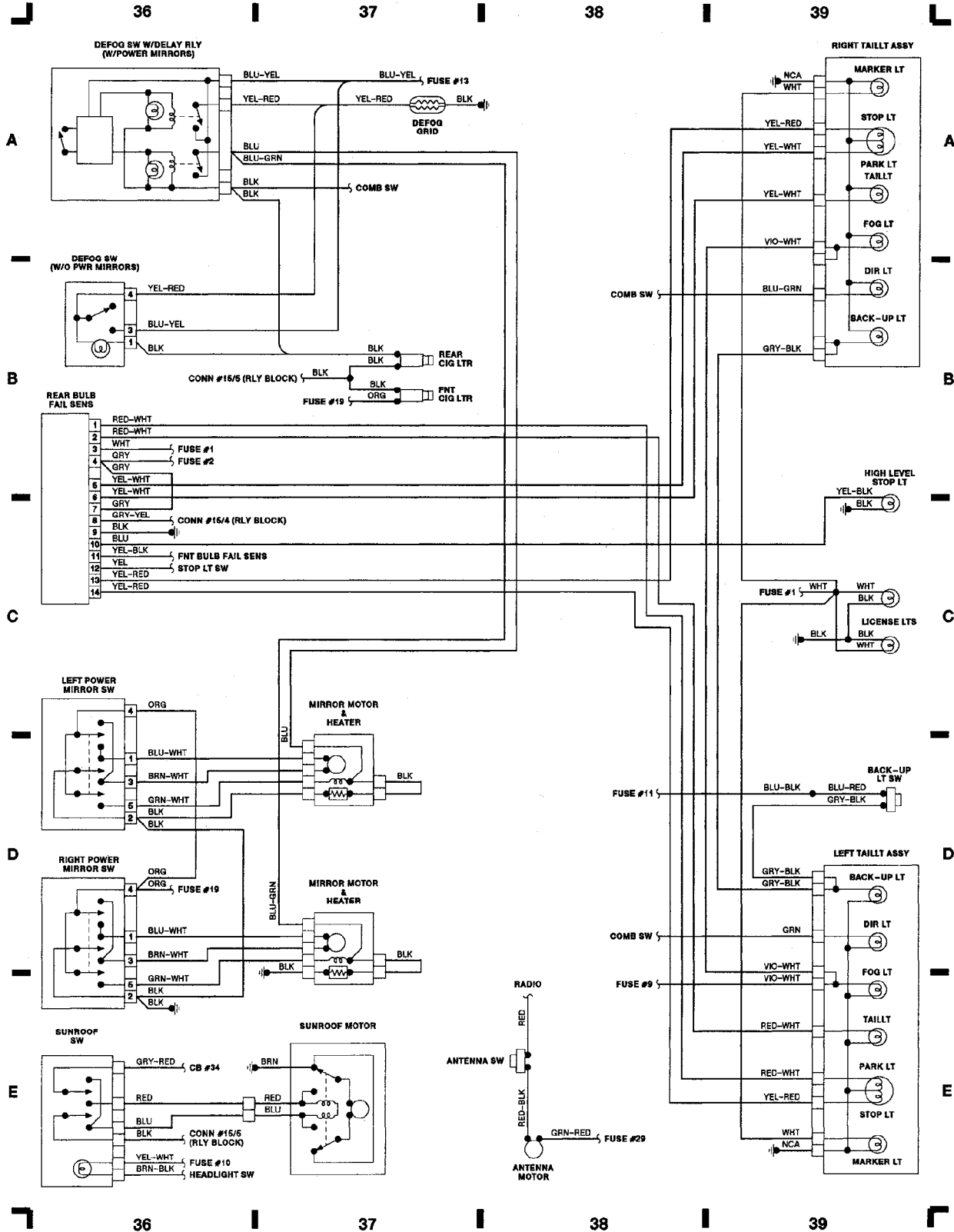
For x
 Copyright © 1998 Mitchell Repair Information Company, LLC
 Friday, July 23, 2004 08:58PM



WIRING DIAGRAMS

Fig. 10: Passenger Compartment (Cont.) & Taillights

1988 Volvo 760
For x
Copyright © 1998 Mitchell Repair Information Company, LLC
Friday, July 23, 2004 08:58PM



WIRING DIAGRAMS

Fig. 1: Engine Compartment & Headlights

1988 Volvo 760

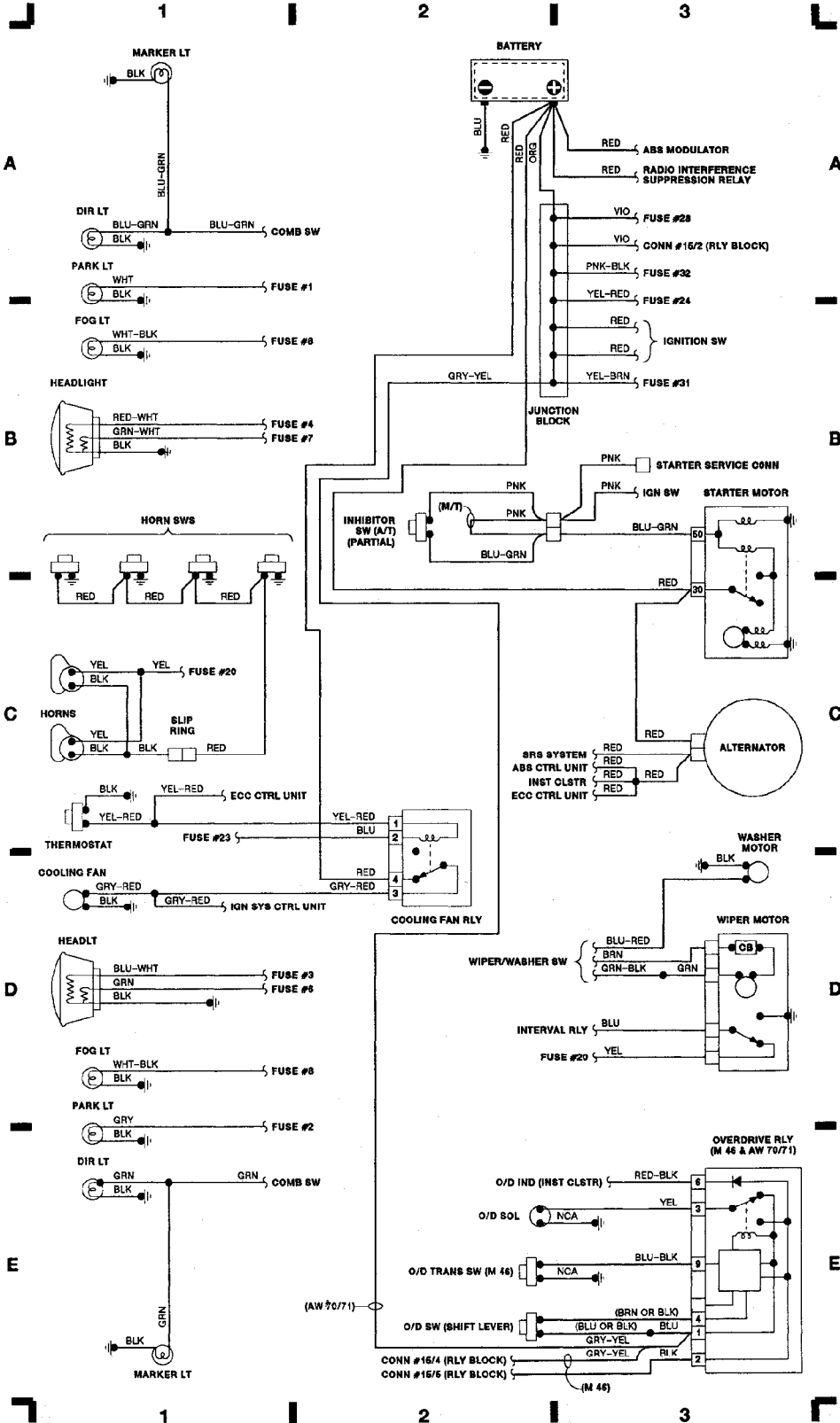
For x

Copyright © 1998 Mitchell Repair Information Company, LLC

Friday, July 23, 2004 08:57PM

COMPONENT LOCATOR:

ABS CTRL SYSTEM	A-C 24-27
ALTERNATOR	C 3
ANTENNA MTR & SW	E 38
ASHTRAY LIGHT (FNT & REAR)	E 12
BACK-UP LIGHT SWITCH	D 39
BATTERY	A 2
BRAKE FLUID LEVEL SENS	A 31
CENTRAL LOCKING RELAY	D-E 34-35
CIG LTRS	B 37
CIG LTR LIGHT	E 12
CLOCK RESET BUTTONS	D 31
COMB SWITCH	A-B 20
CONN #15/2	A 17
CONN #15/3	A 14
CONN #15/4	A 18
CONN #15/5	B 17-18
CONN #15/6	B 16-17
CONN #15/7	A-B 14
COOLANT TEMP SENS	A 31
COOLING FAN SYSTEM	C D 1-2
CRUISE CTRL SYSTEM	C-D 24-25
DEFOG SYSTEM	A-B 36
DOOR SWITCHES	D-E 24
ELECTRONIC CLIMATE CONTROL (ECC)	C-E 16-19
FOG LIGHT RELAY	B-C 20
FOG LIGHT SWITCH	C-D 20
FRONT BULB FAIL SENSOR	C 35
FUEL LEVEL SENSOR	D 20
FUEL PUMP (MAIN)	C 6, C 10
FUEL PUMP (TANK)	C 7, B 10
FUEL PUMP RELAY	B 7, B 11
FUSE BLOCK	A-E 13-14
GEAR SEL SWITCH LIGHT	E 12
GLOVE BOX LIGHT & SWITCH	D-E 20
HEADLIGHT RELAY	B-C 23
HEADLIGHT SWITCH	A-B 23
HEATER BLOWER MOTOR	D 16
IGNITION COIL	C 4, C 8
IGNITION SWITCH	C 16
IGNITION SYSTEM CONTROL UNIT	D-E 4, D-E 8
INSTRUMENT CLUSTER	A-E 28-30
INTERIOR LIGHTS	D-E 25-27
JUNCTION BLOCK	A-B 23
LAMBOA-SOND	C 7, C 11
LH JETRONIC CTRL UNIT	A 4, A 8
OIL PRESSURE SWITCH	C 31
OVERDRIVE SYSTEM	E 3
PARK BRAKE SWITCH	B 31
POWER MIRROR SYSTEM	C-D 36-37
POWER SEAT SYSTEM	A-C 35
POWER WINDOW RELAY	D 20
POWER WINDOW SYSTEM	D-E 32-34
REAR BULB FAIL SENSOR	B-C 36
REAR WIPER INTERVAL RELAY	D-E 21
REAR WIPER MOTOR	E 25
REAR WIPER/WASHER SWITCH	D-E 23
RELAY BLOCK	A-B 17-18
SEAT BELT LOCKS	A 32
SEAT BELT REMINDER	A 33-34
SEAT HEATER SWITCH LIGHT	E 12
SEAT HEATER SYSTEM	B-D 32-33
SRS SYSTEM	C 26-27
STARTER MOTOR	B-C 3
STOP LIGHT SWITCH	D 24
SUNROOF SYSTEM	E 36-37
TEST CONN	B 7, B 11
VANITY MIRROR LIGHTS	E 20
WASHER FLUID LEVEL SENS	C 31
WASHER MOTOR	C-D 3
WIPER INTERVAL RELAY	C-D 23



WIRING DIAGRAMS

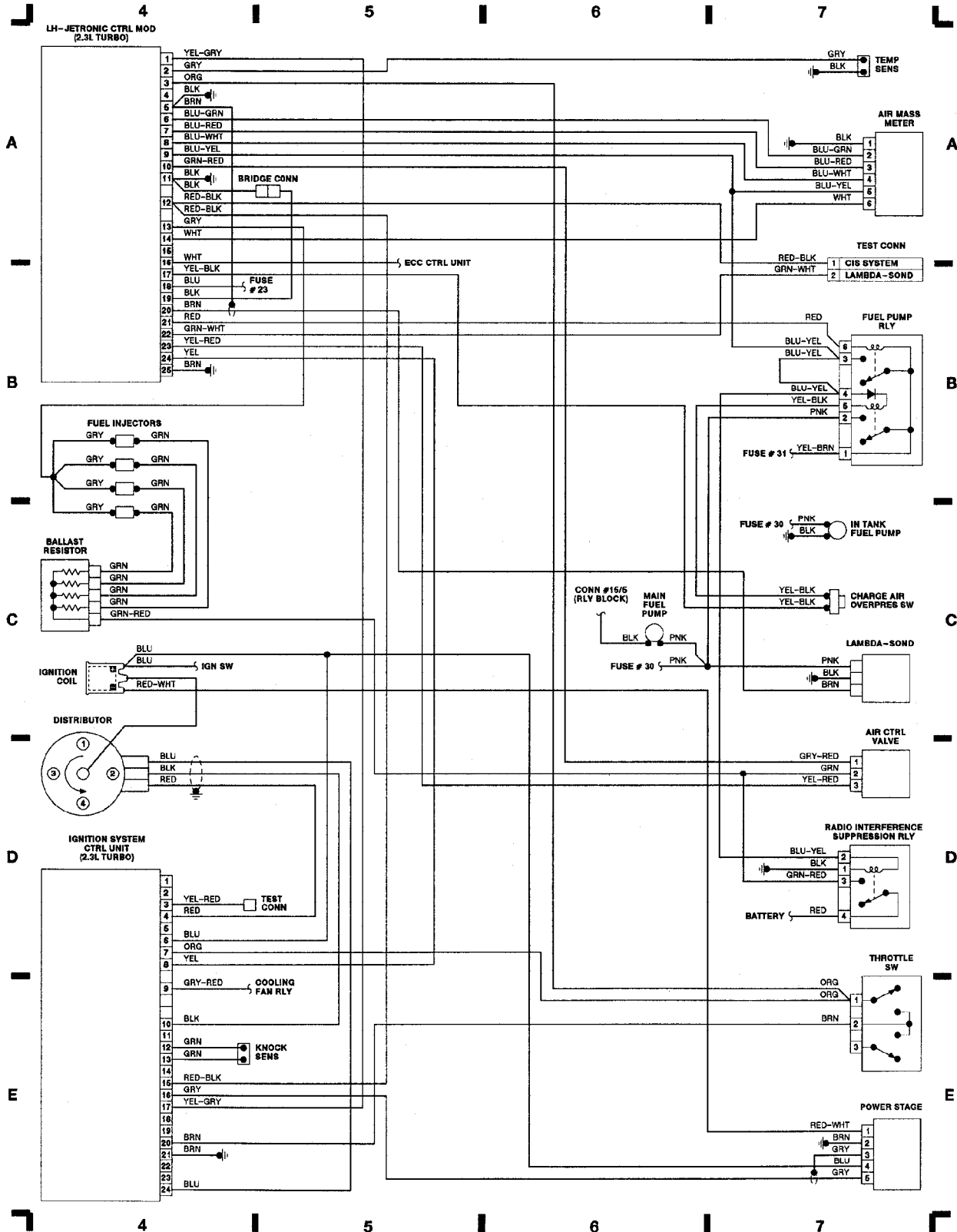
Fig. 2: Computer Engine Control (2.3L Turbo)

1988 Volvo 760

For x

Copyright © 1998 Mitchell Repair Information Company, LLC

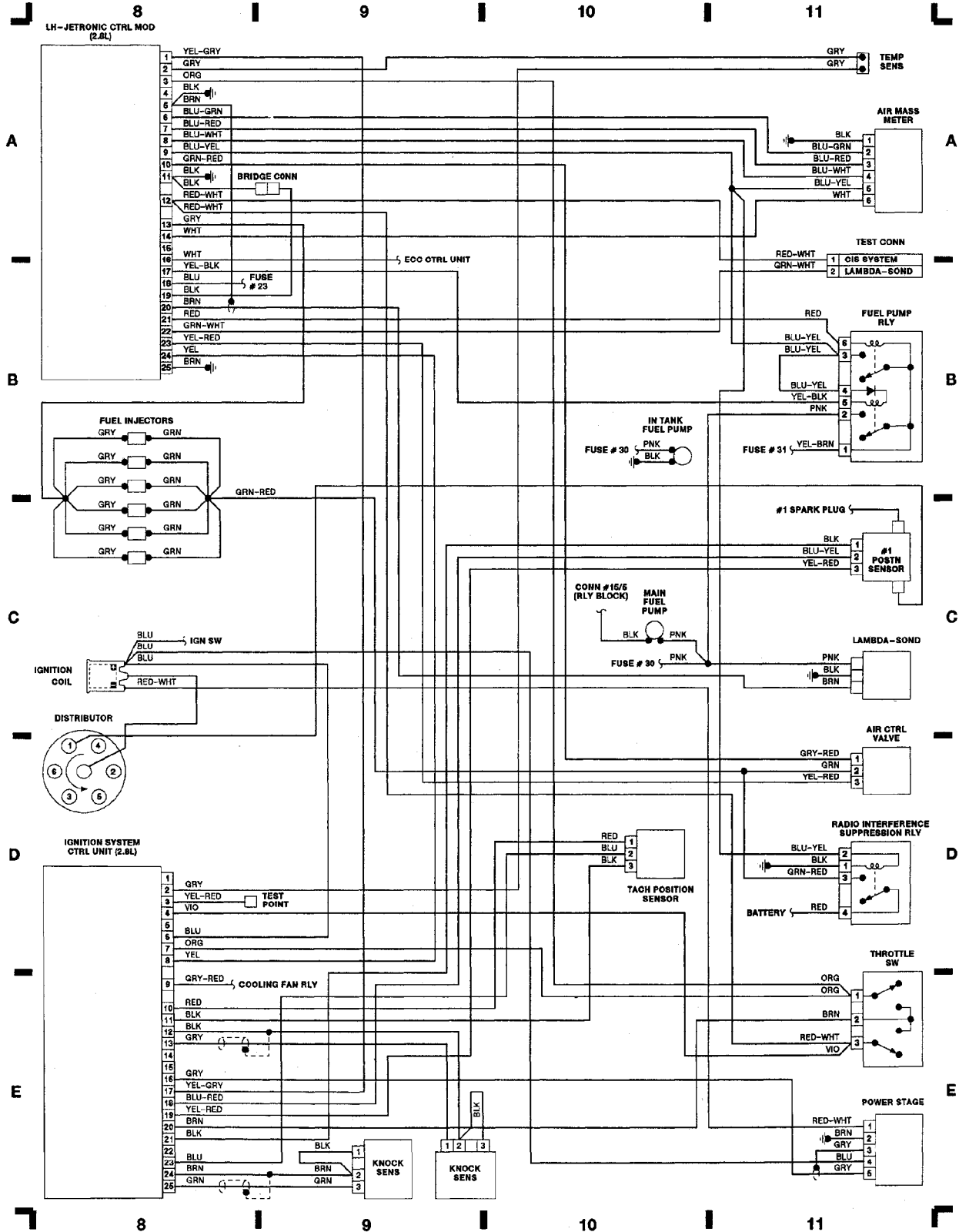
Friday, July 23, 2004 08:57PM



WIRING DIAGRAMS

Fig. 3: Computer Engine Control (2.8L V6)

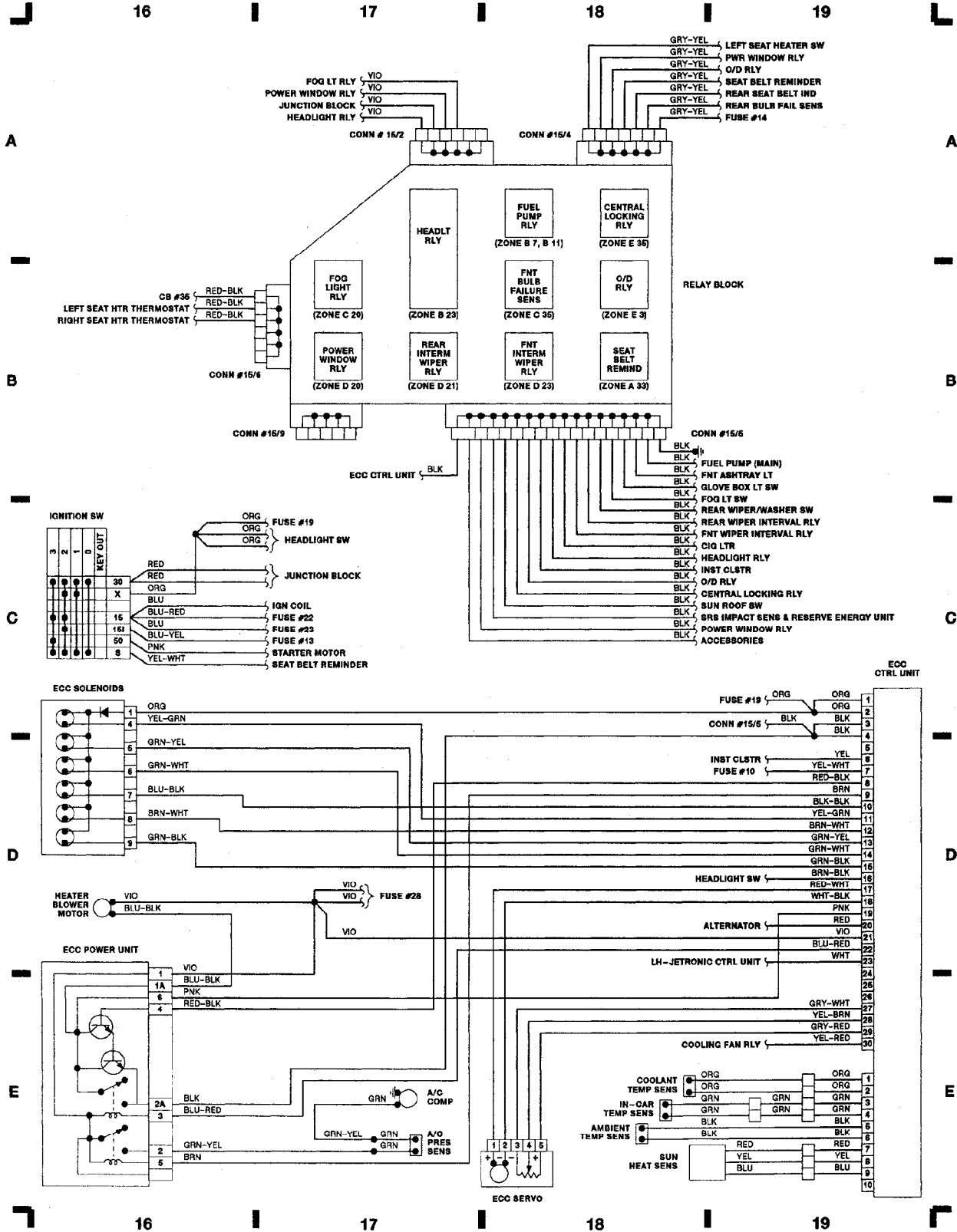
1988 Volvo 760
For x
Copyright © 1998 Mitchell Repair Information Company, LLC
Friday, July 23, 2004 08:57PM



WIRING DIAGRAMS

Fig. 5: Relay Panel & A/C & Heating System

1988 Volvo 760
For x
Copyright © 1998 Mitchell Repair Information Company, LLC
Friday, July 23, 2004 08:57PM



WIRING DIAGRAMS

Fig. 6: Steering Column Switches & Instrument Panel Switches

1988 Volvo 760

For x

Copyright © 1998 Mitchell Repair Information Company, LLC

Friday, July 23, 2004 08:57PM

