

SYSTEM WIRING DIAGRAMS

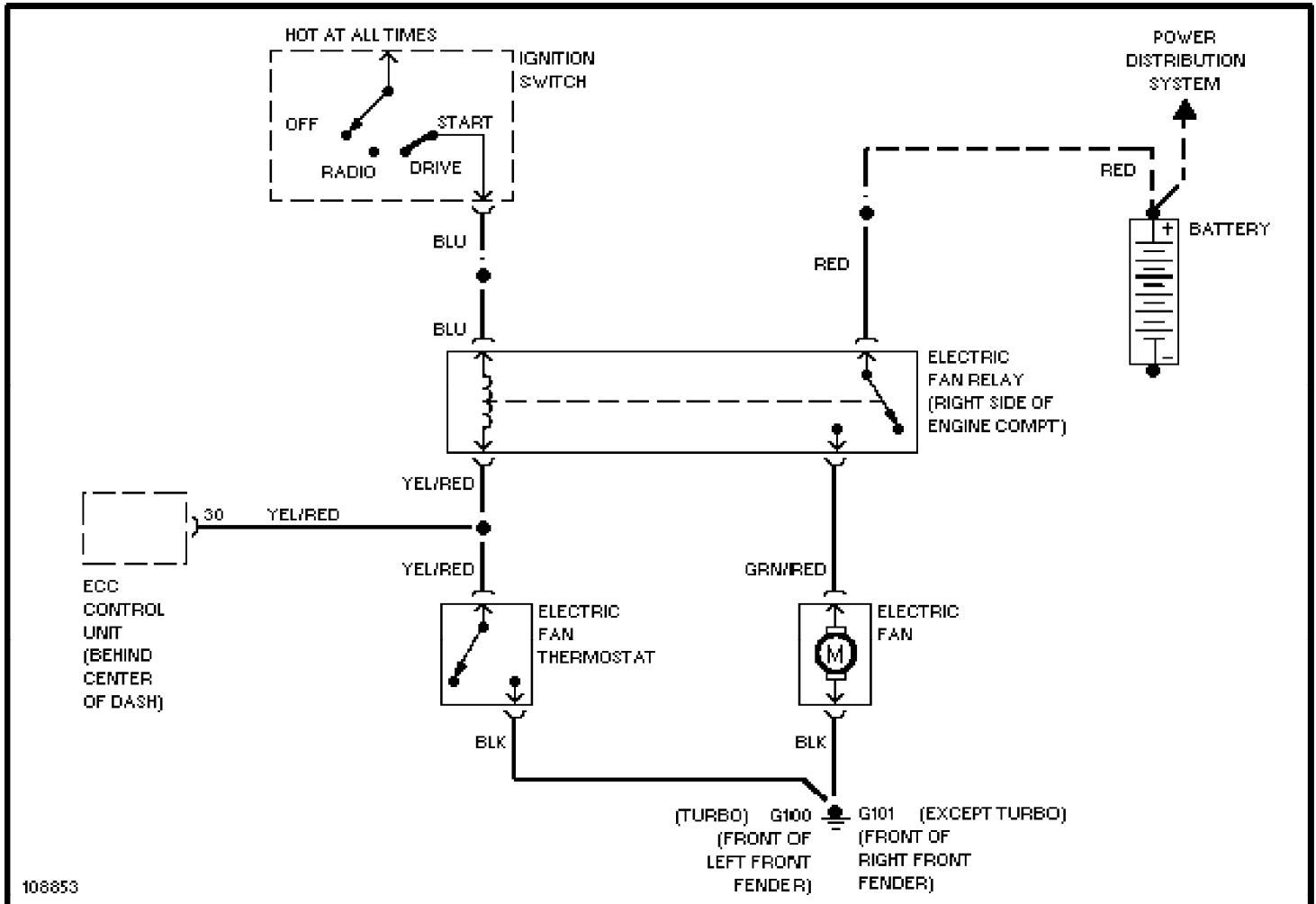
Cooling Fan Circuit

1989 Volvo 760

For x

Copyright © 1998 Mitchell Repair Information Company, LLC

Friday, July 23, 2004 09:30PM



SYSTEM WIRING DIAGRAMS

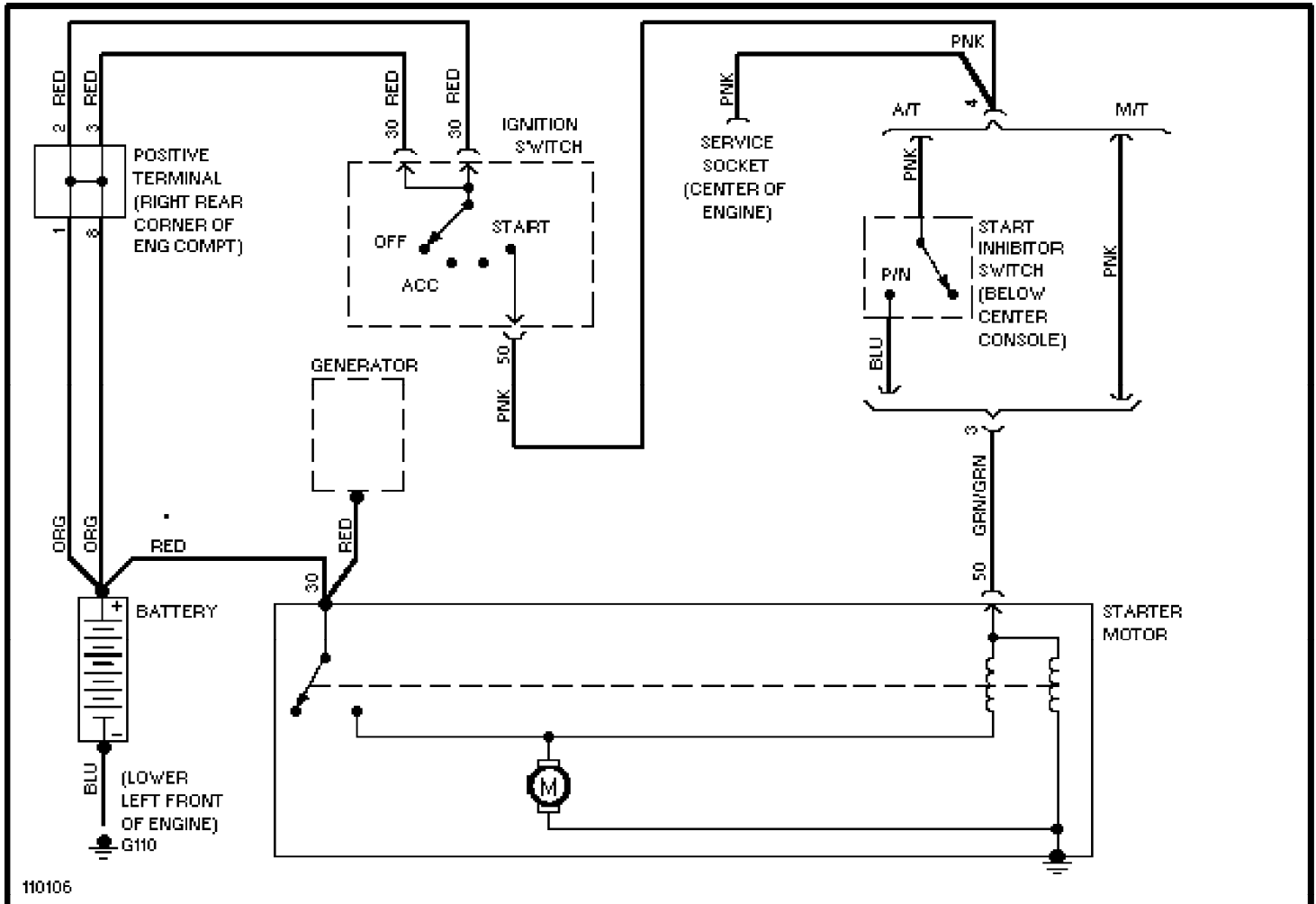
Starting Circuit

1989 Volvo 760

For x

Copyright © 1998 Mitchell Repair Information Company, LLC

Friday, July 23, 2004 09:31PM



SYSTEM WIRING DIAGRAMS

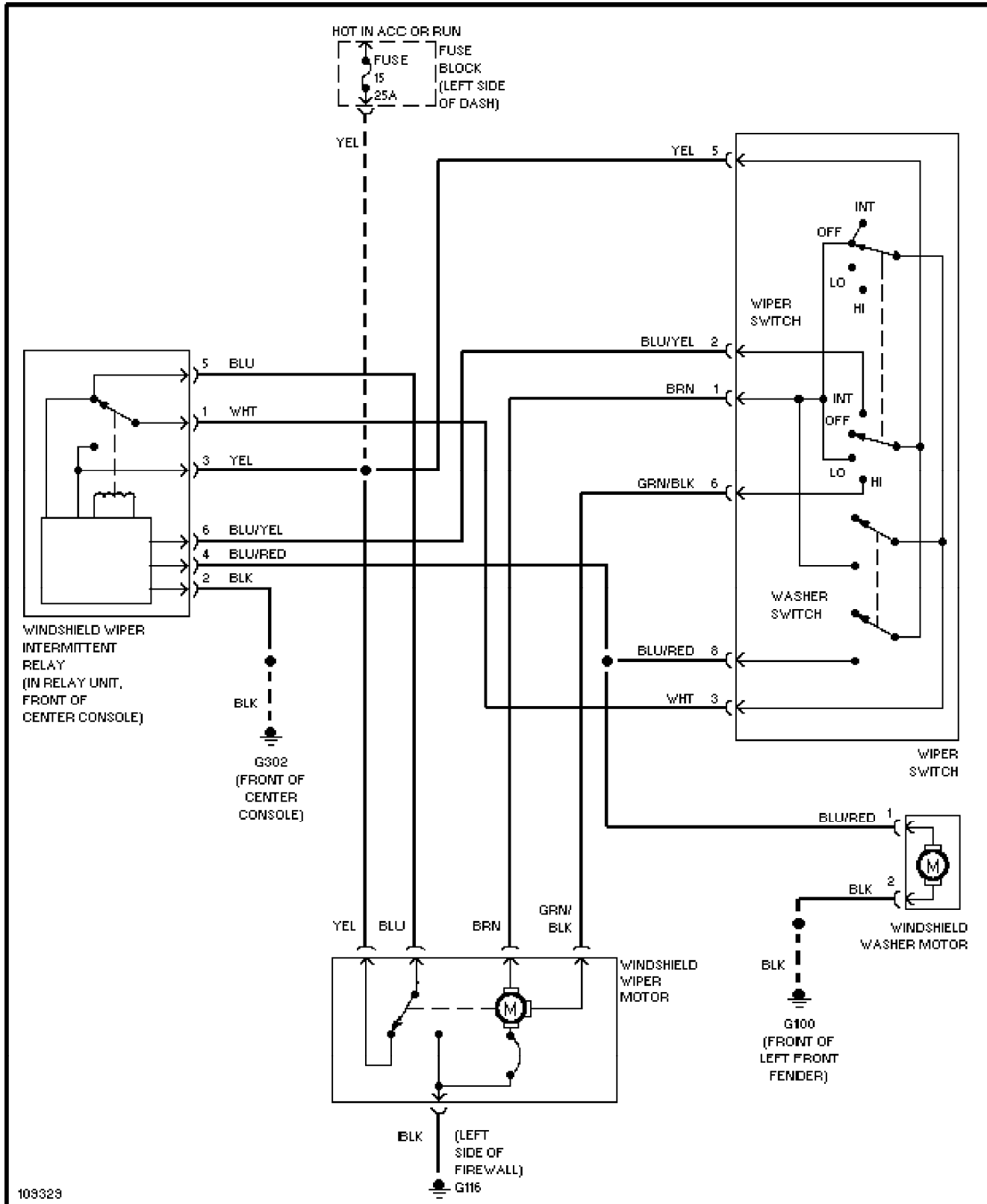
Front Wiper/Washer Circuit

1989 Volvo 760

For x

Copyright © 1998 Mitchell Repair Information Company, LLC

Friday, July 23, 2004 09:31PM



SYSTEM WIRING DIAGRAMS

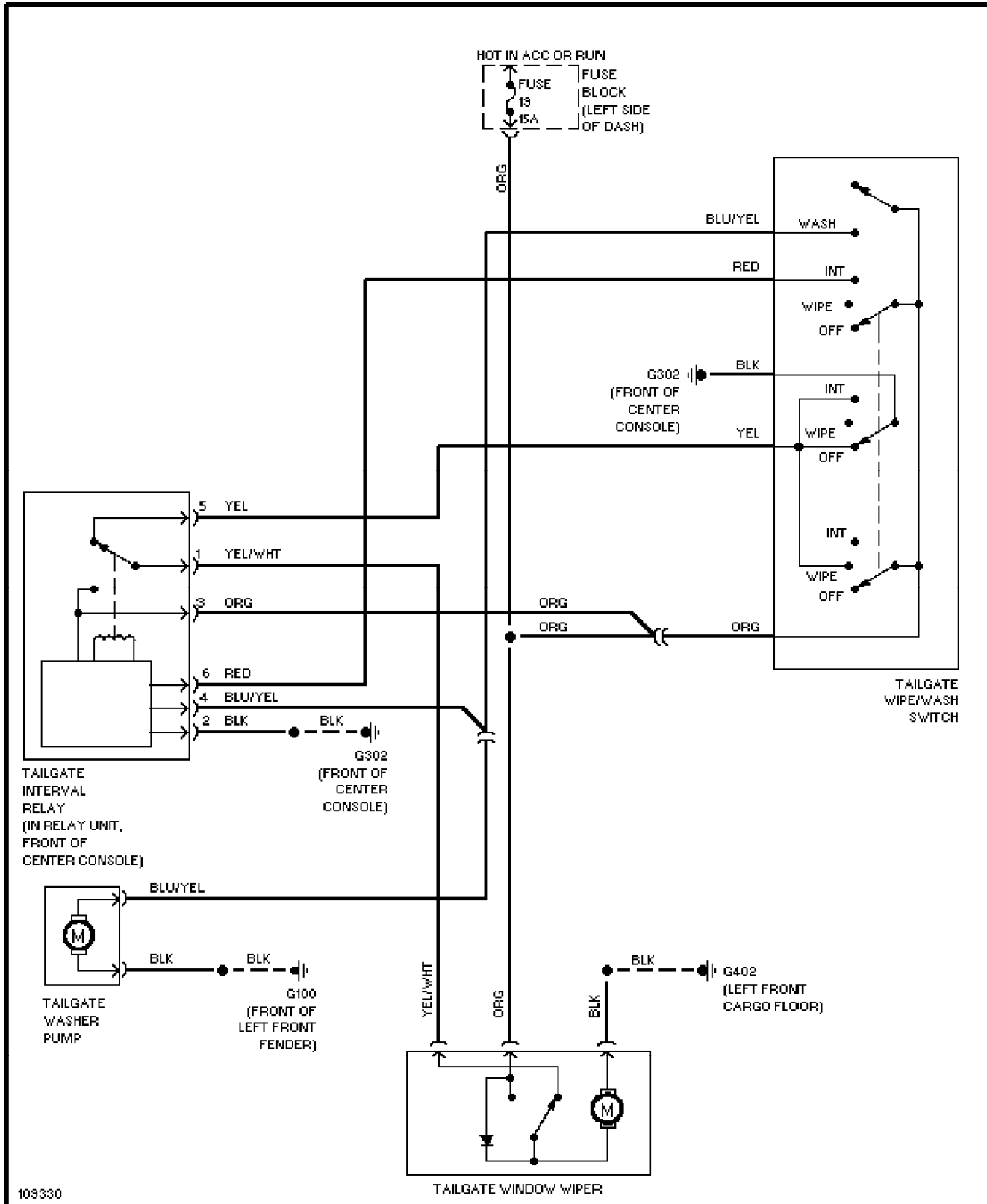
Rear Wiper/Washer Circuit

1989 Volvo 760

For x

Copyright © 1998 Mitchell Repair Information Company, LLC

Friday, July 23, 2004 09:31PM



SYSTEM WIRING DIAGRAMS

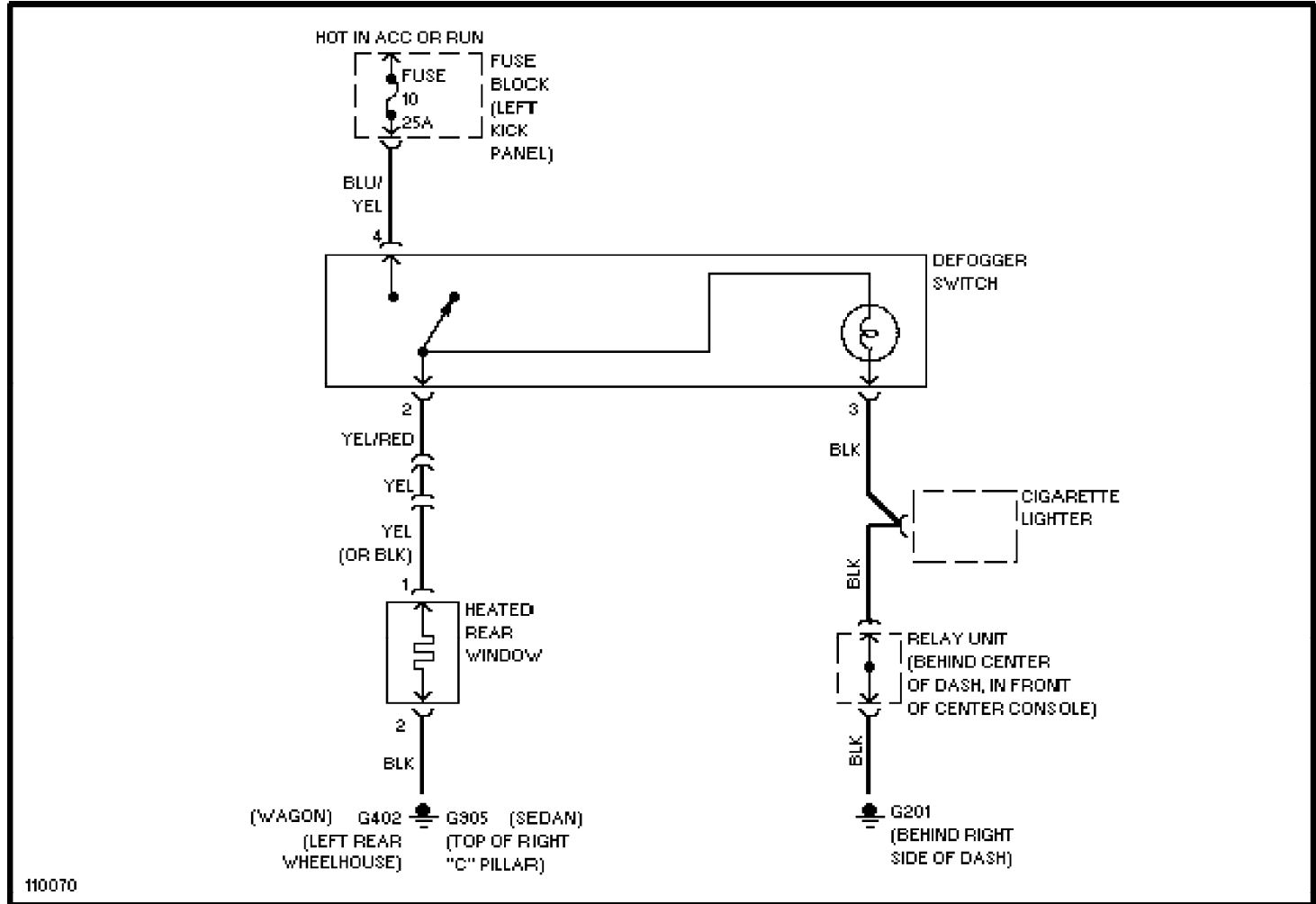
Defogger Circuit, W/O Heated Mirrors

1989 Volvo 760

For x

Copyright © 1998 Mitchell Repair Information Company, LLC

Friday, July 23, 2004 09:30PM



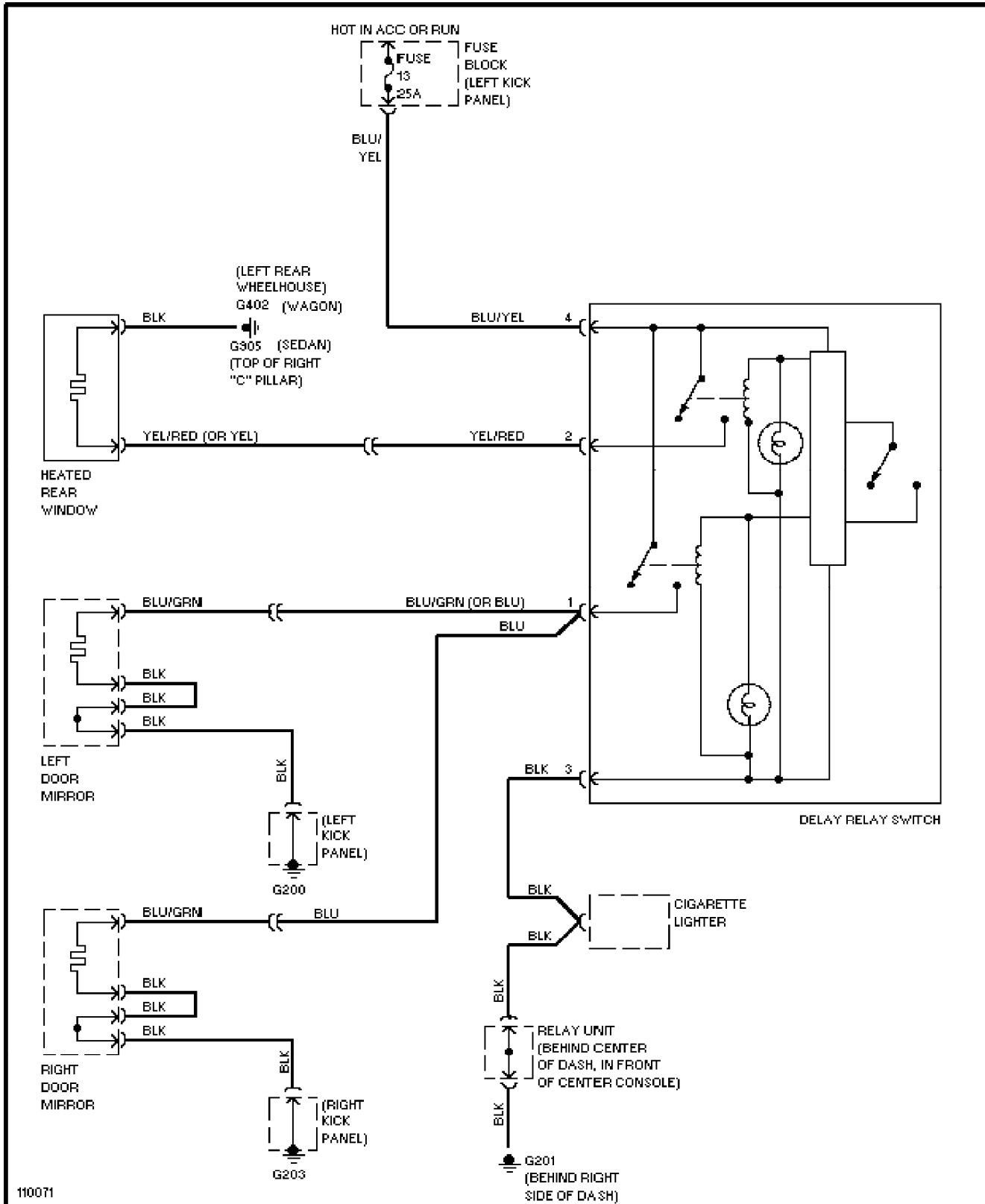
SYSTEM WIRING DIAGRAMS

Rear Defogger & Heated Mirrors Circuit

1989 Volvo 760

For x

Copyright © 1998 Mitchell Repair Information Company, LLC
Friday, July 23, 2004 09:30PM



SYSTEM WIRING DIAGRAMS

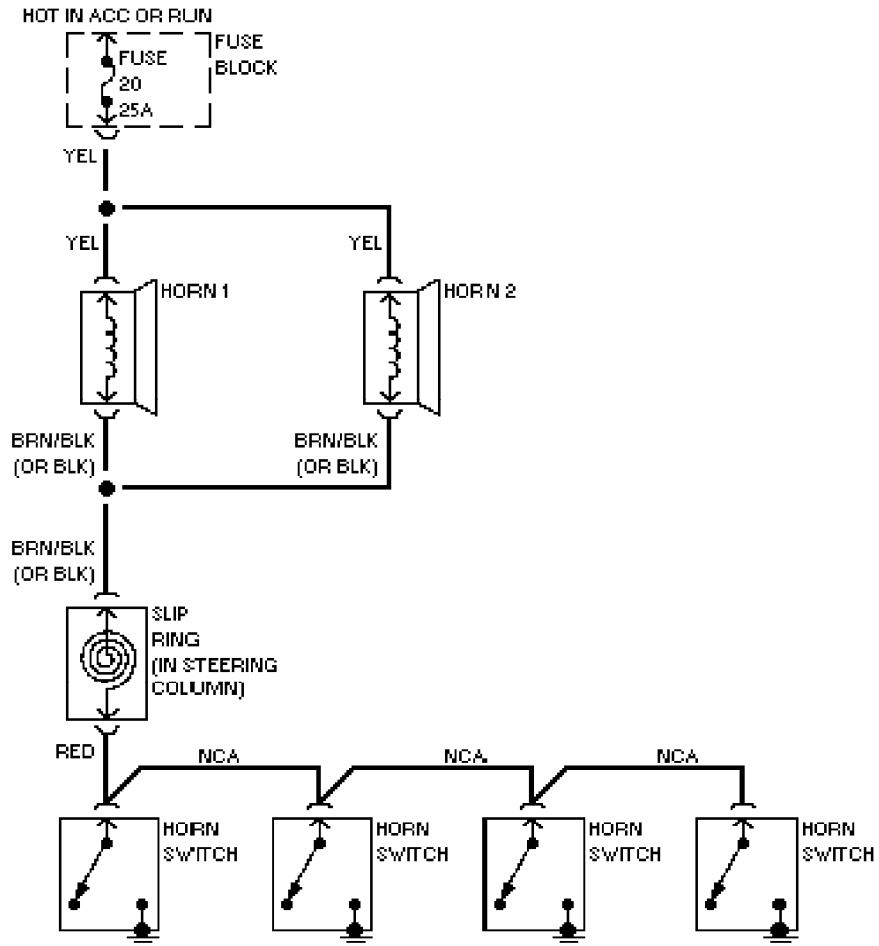
Horn Circuit

1989 Volvo 760

For x

Copyright © 1998 Mitchell Repair Information Company, LLC

Friday, July 23, 2004 09:30PM



SYSTEM WIRING DIAGRAMS

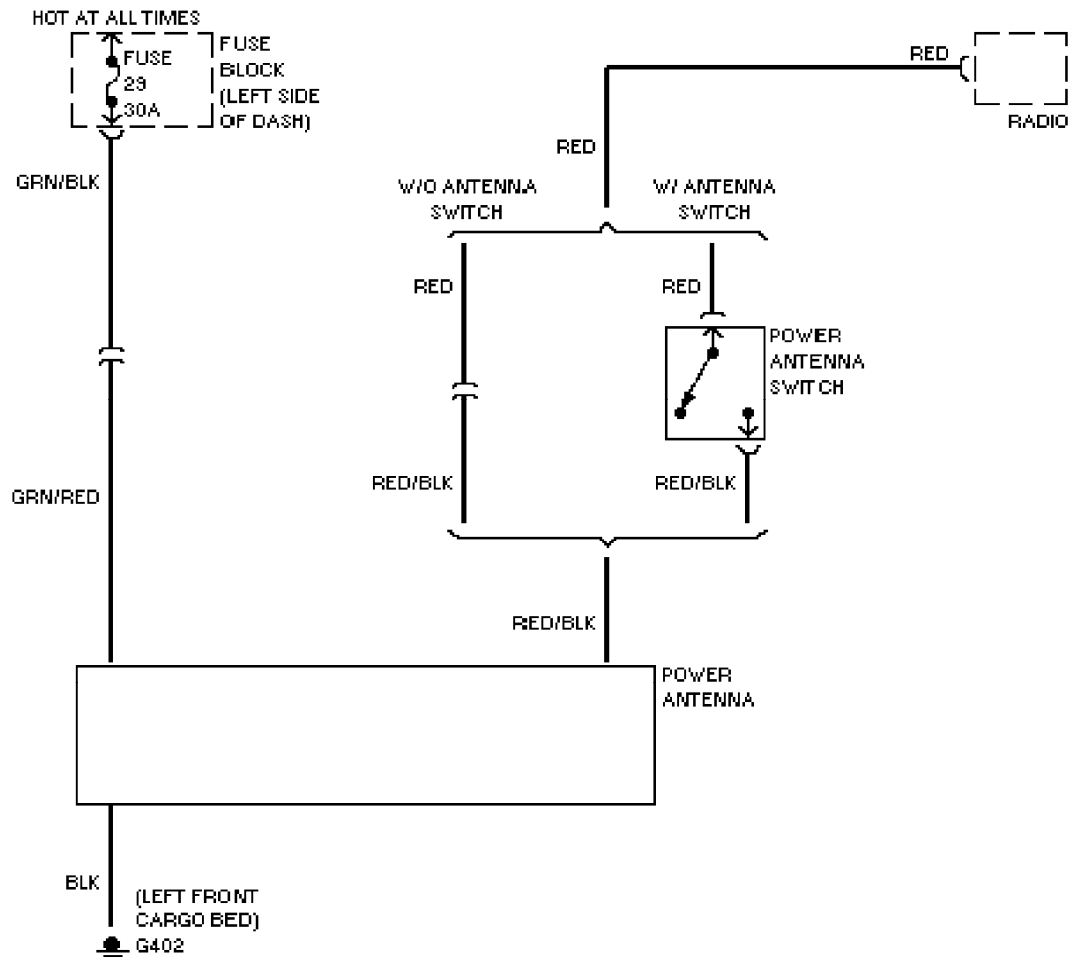
Power Antenna Circuit

1989 Volvo 760

For x

Copyright © 1998 Mitchell Repair Information Company, LLC

Friday, July 23, 2004 09:30PM



SYSTEM WIRING DIAGRAMS

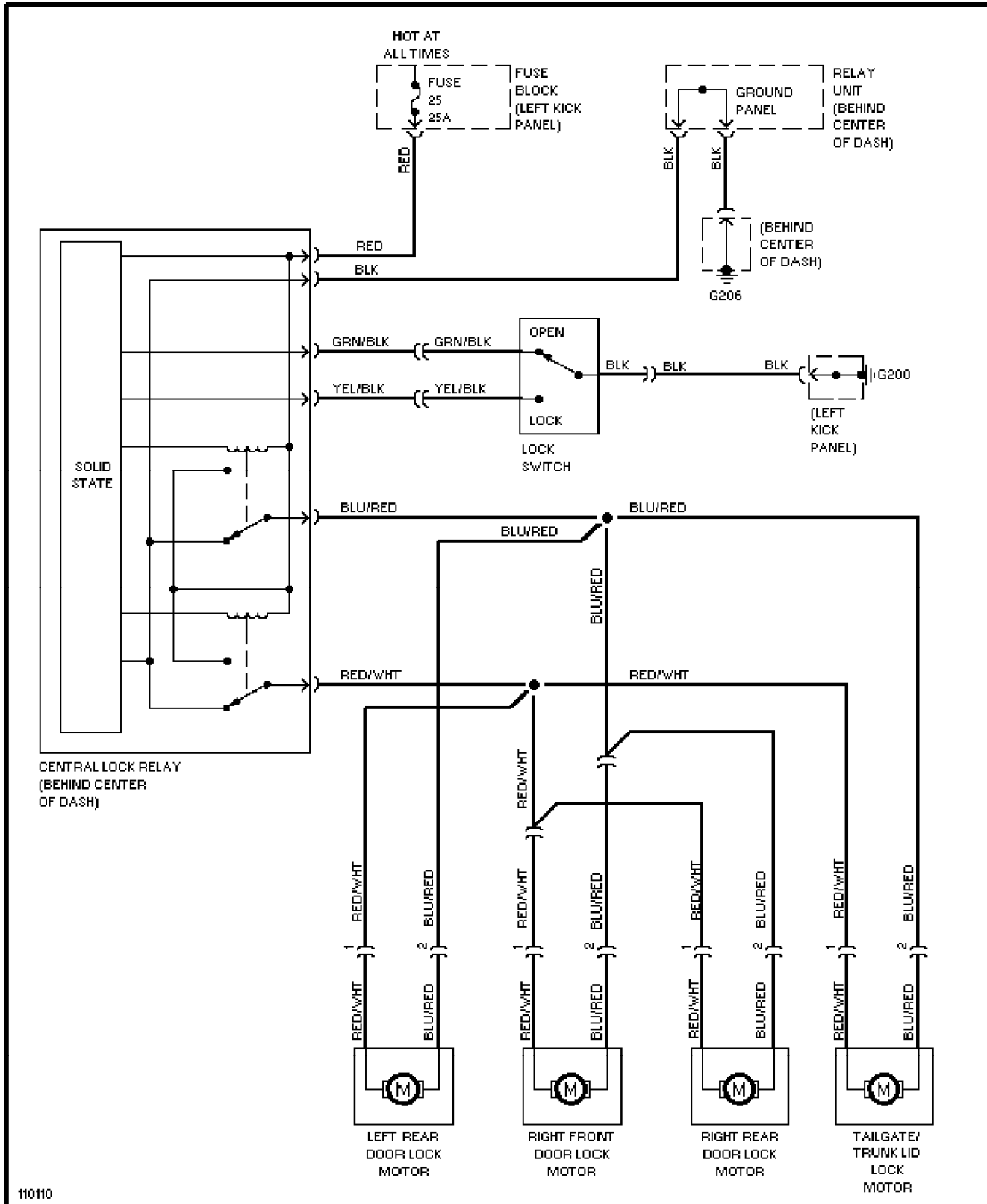
Power Door Lock Circuit

1989 Volvo 760

For x

Copyright © 1998 Mitchell Repair Information Company, LLC

Friday, July 23, 2004 09:30PM



SYSTEM WIRING DIAGRAMS

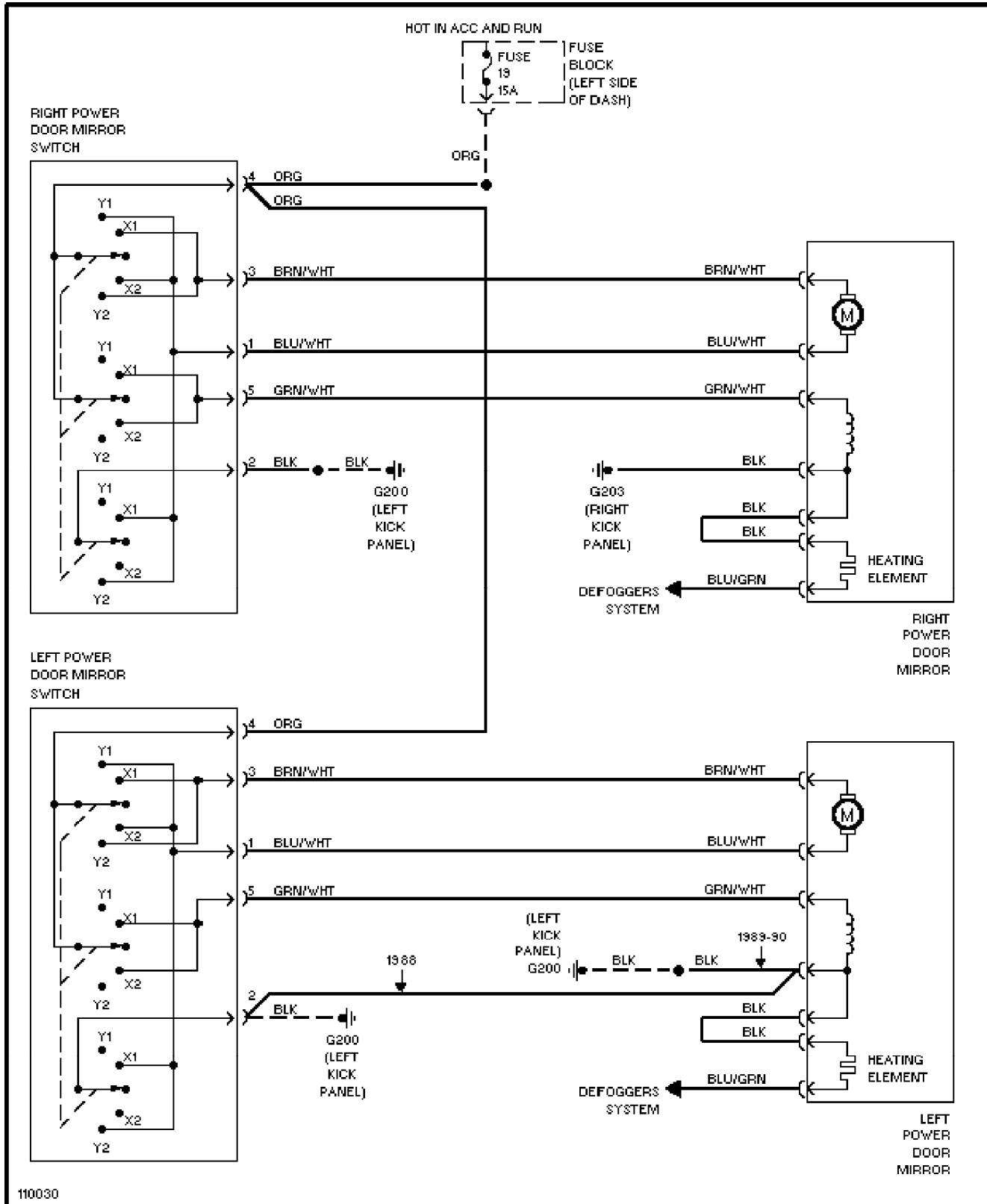
Power Mirror Circuit

1989 Volvo 760

For x

Copyright © 1998 Mitchell Repair Information Company, LLC

Friday, July 23, 2004 09:30PM



SYSTEM WIRING DIAGRAMS

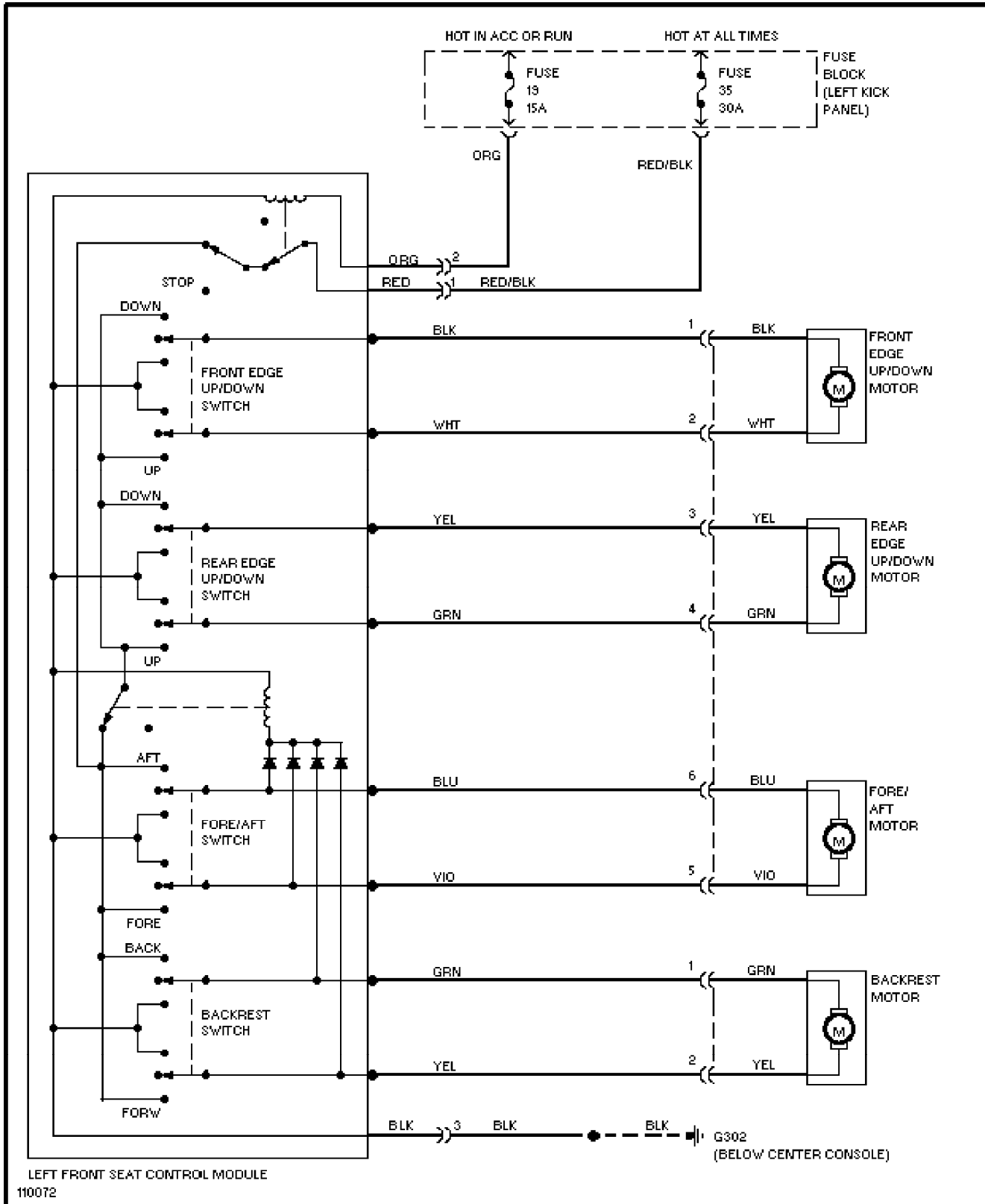
Power Seat Circuit

1989 Volvo 760

For x

Copyright © 1998 Mitchell Repair Information Company, LLC

Friday, July 23, 2004 09:31PM



SYSTEM WIRING DIAGRAMS

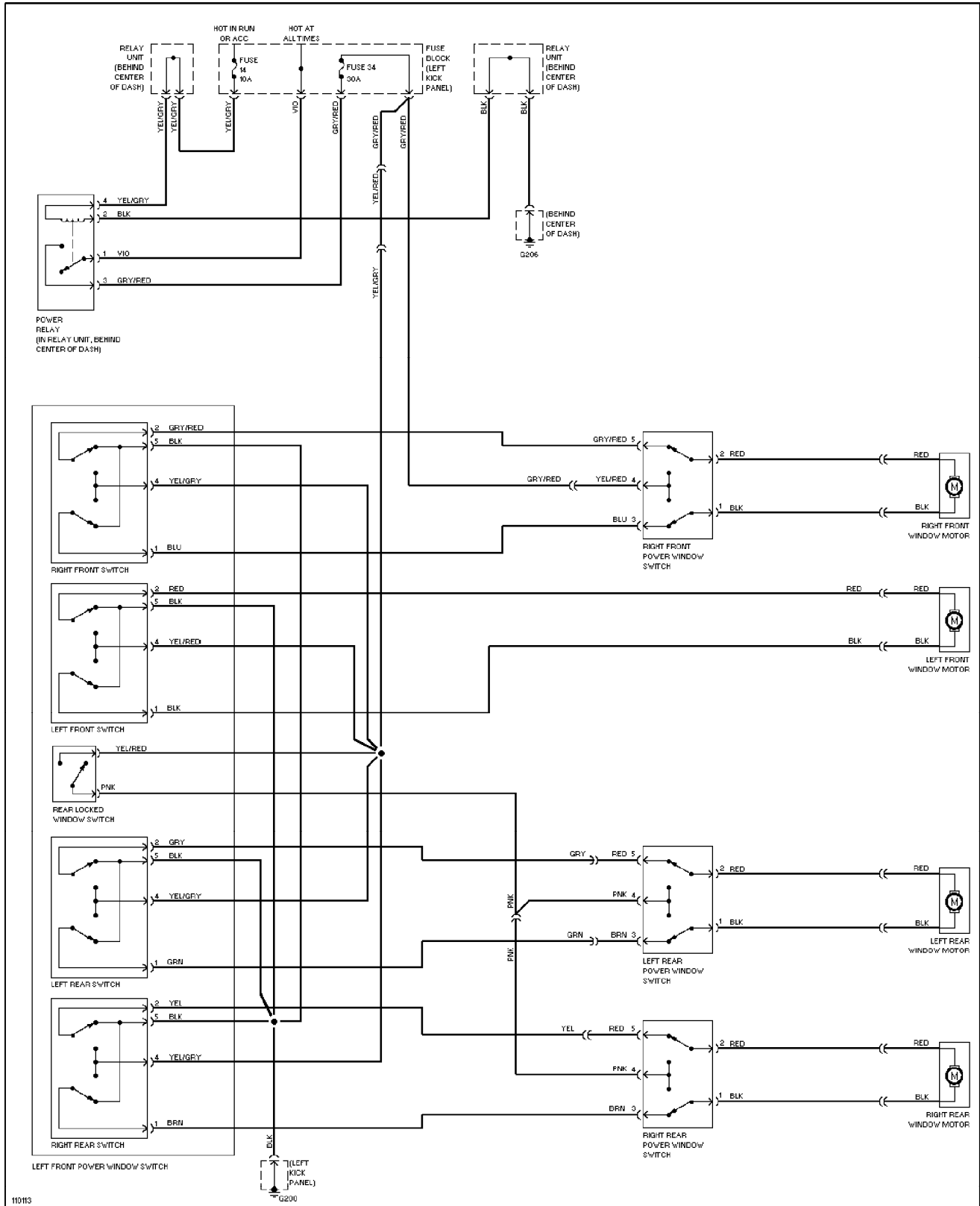
Power Window Circuit

1989 Volvo 760

For x

Copyright © 1998 Mitchell Repair Information Company, LLC

Friday, July 23, 2004 09:31PM



SYSTEM WIRING DIAGRAMS

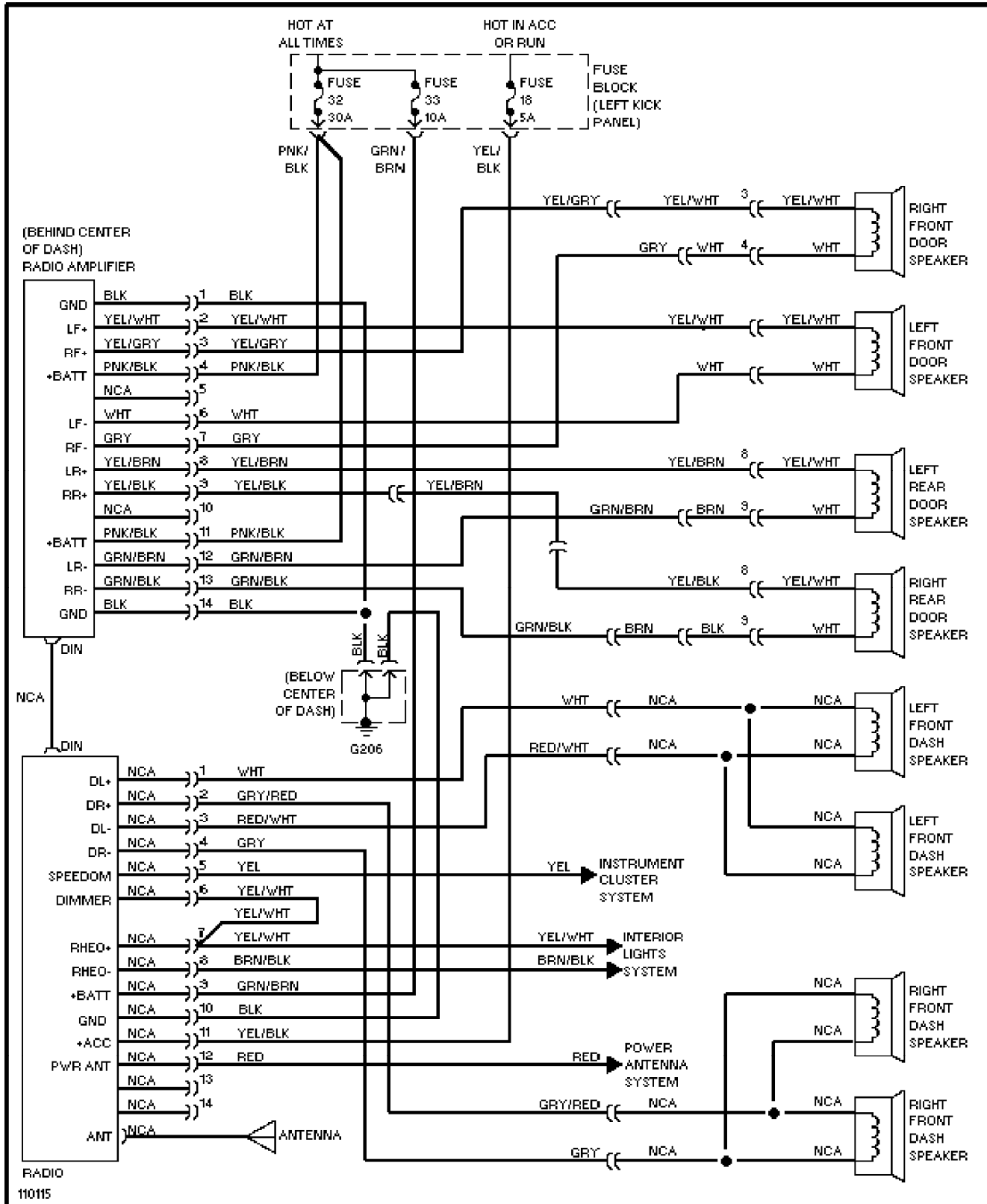
Radio Circuits

1989 Volvo 760

For x

Copyright © 1998 Mitchell Repair Information Company, LLC

Friday, July 23, 2004 09:31PM



SYSTEM WIRING DIAGRAMS

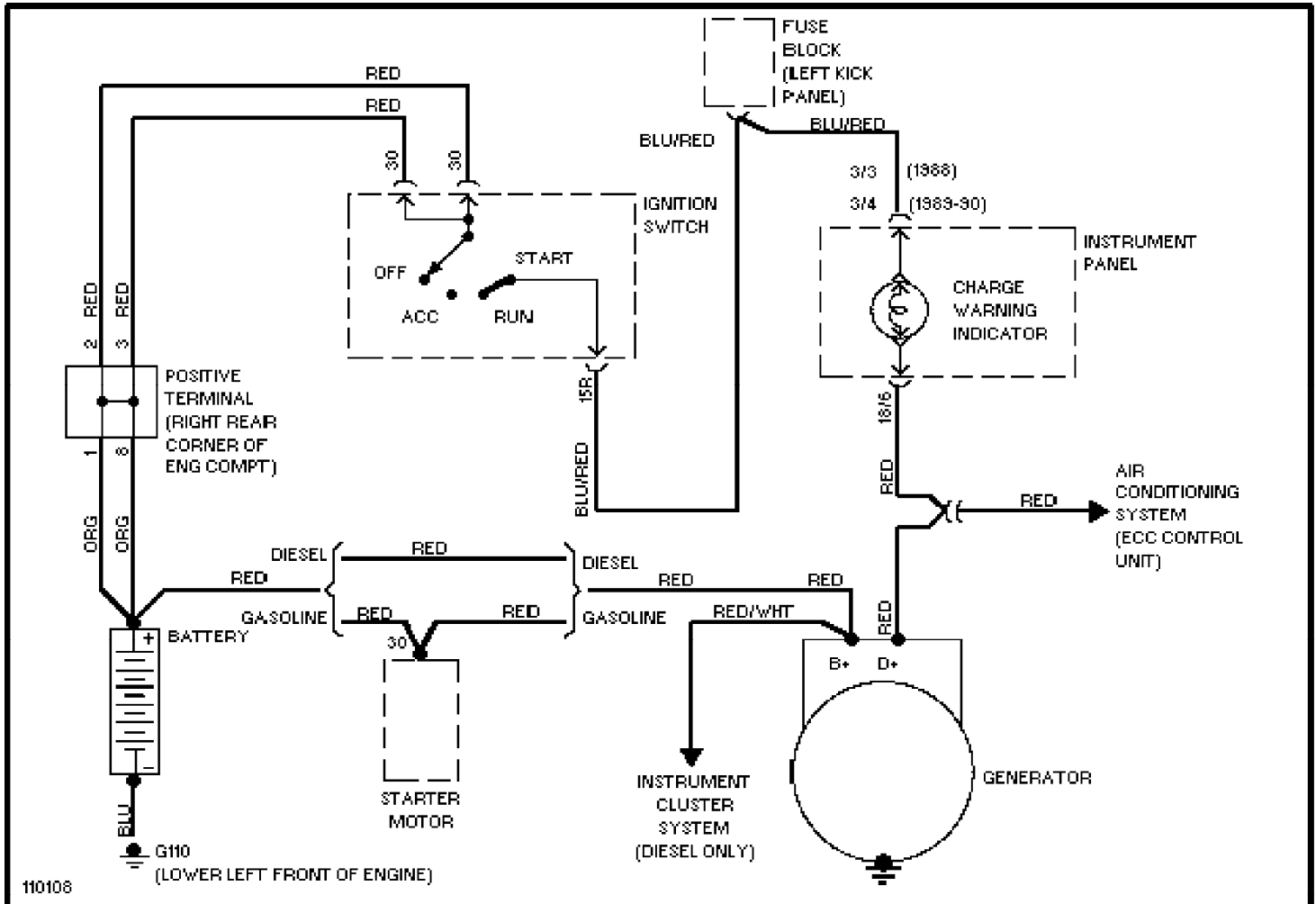
Charging Circuit

1989 Volvo 760

For x

Copyright © 1998 Mitchell Repair Information Company, LLC

Friday, July 23, 2004 09:31PM



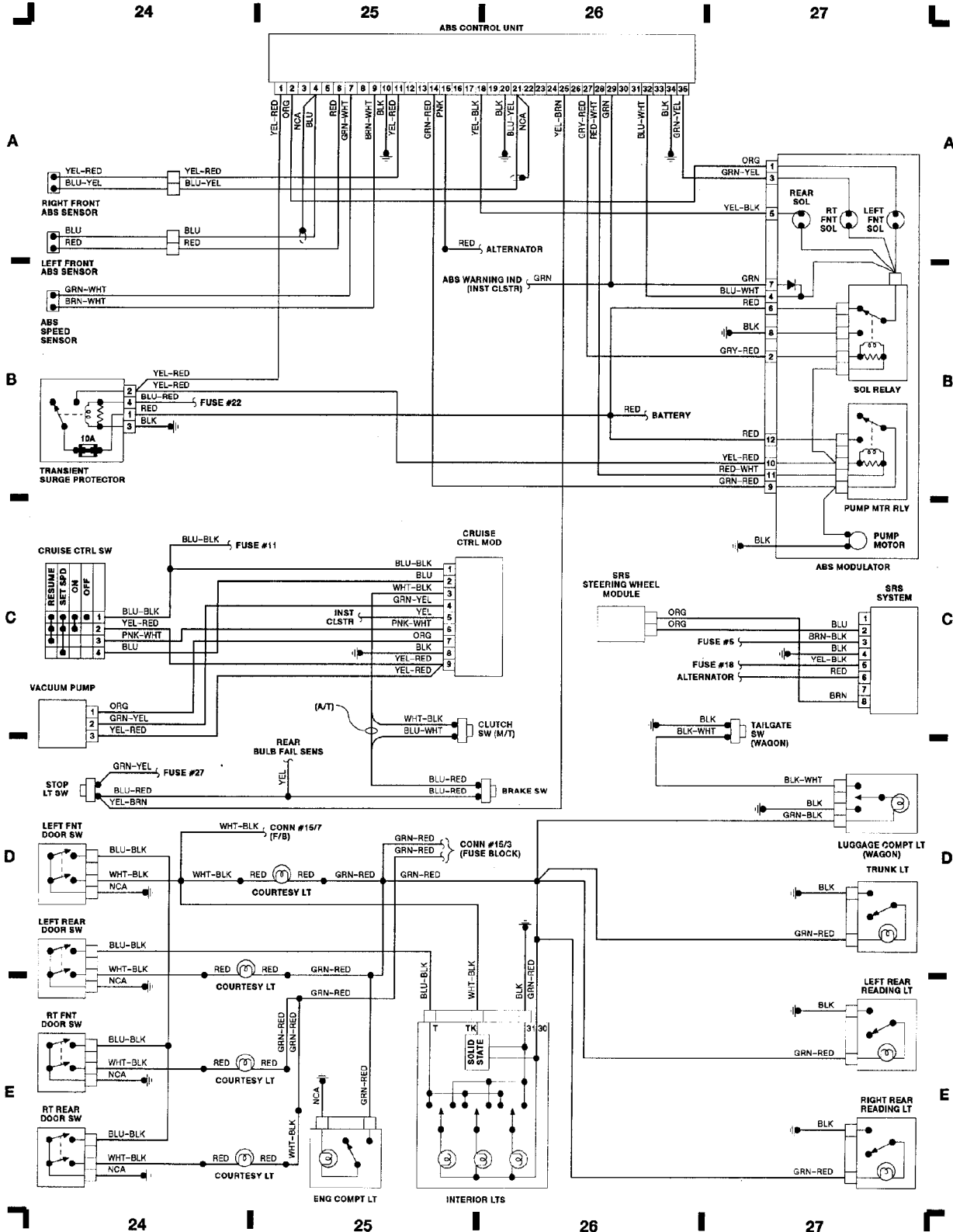
WIRING DIAGRAMS

Fig. 7: Anti-Lock Brake System

1989 Volvo 760

For x

Copyright © 1998 Mitchell Repair Information Company, LLC
Friday, July 23, 2004 09:32PM



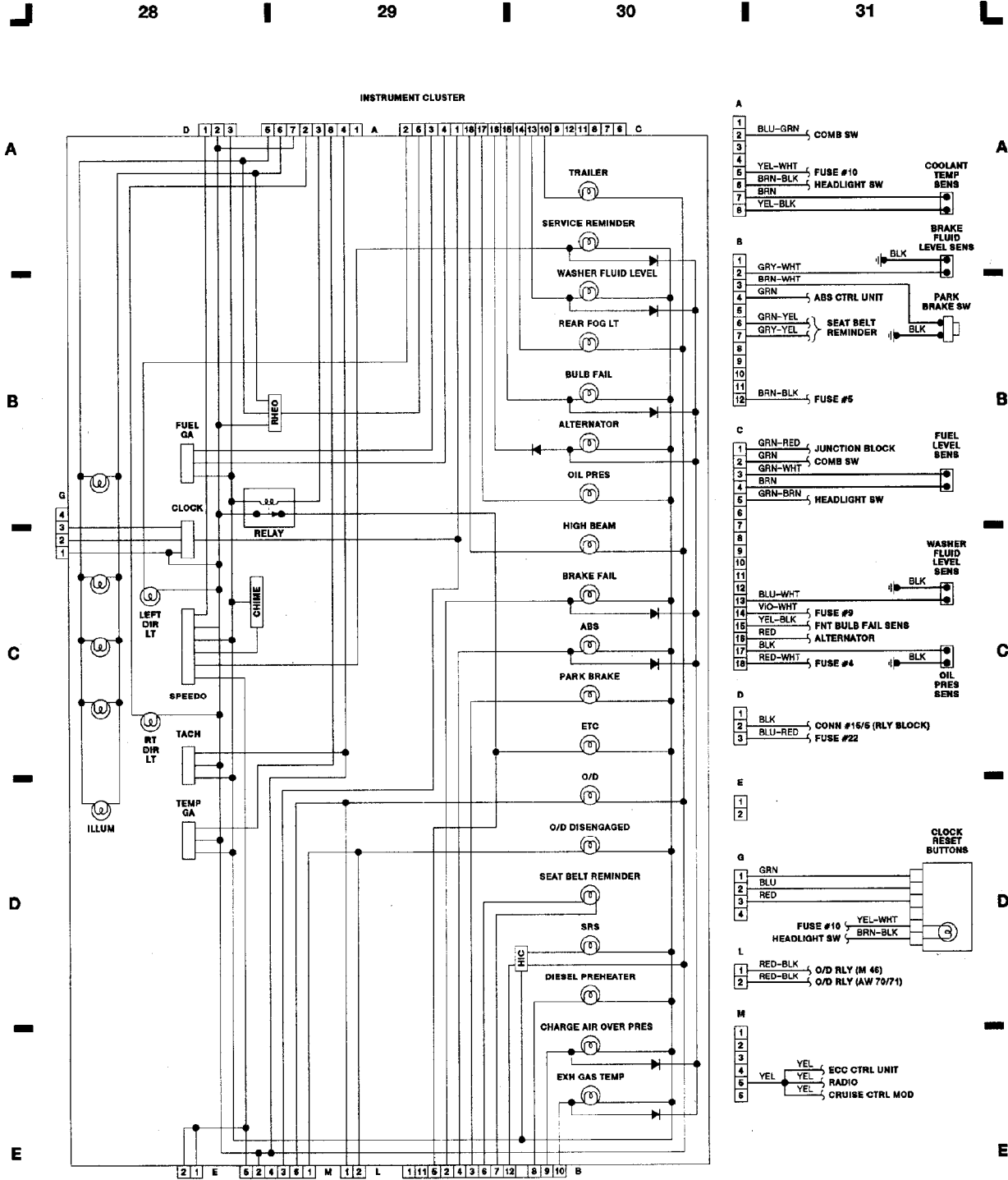
WIRING DIAGRAMS

Fig. 8: Instrument Panel

1989 Volvo 760

For x

Copyright © 1998 Mitchell Repair Information Company, LLC
Friday, July 23, 2004 09:32PM

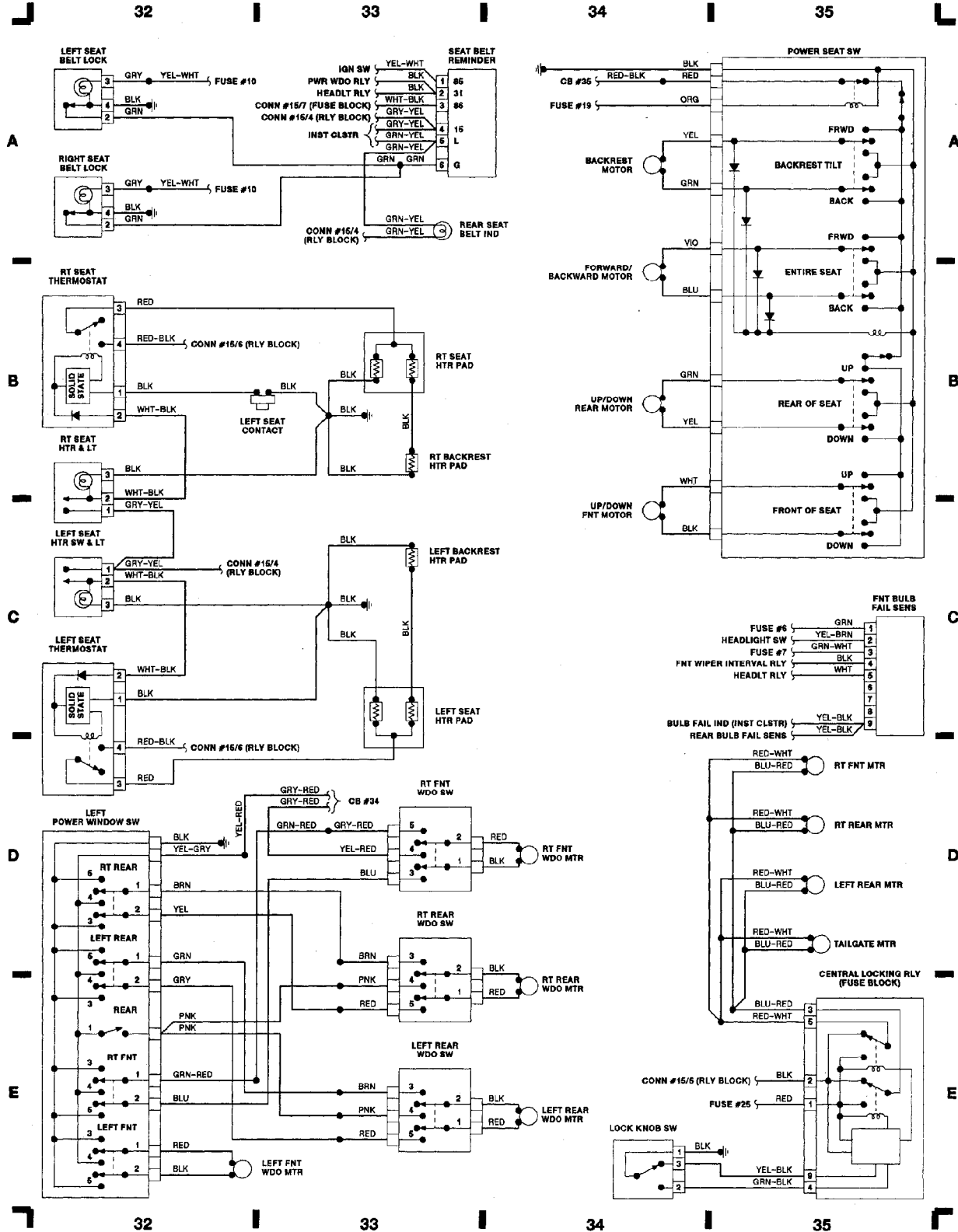


WIRING DIAGRAMS

Fig. 9: Power Windows and Power Seats

1989 Volvo 760

For x
Copyright © 1998 Mitchell Repair Information Company, LLC
Friday, July 23, 2004 09:32PM



WIRING DIAGRAMS

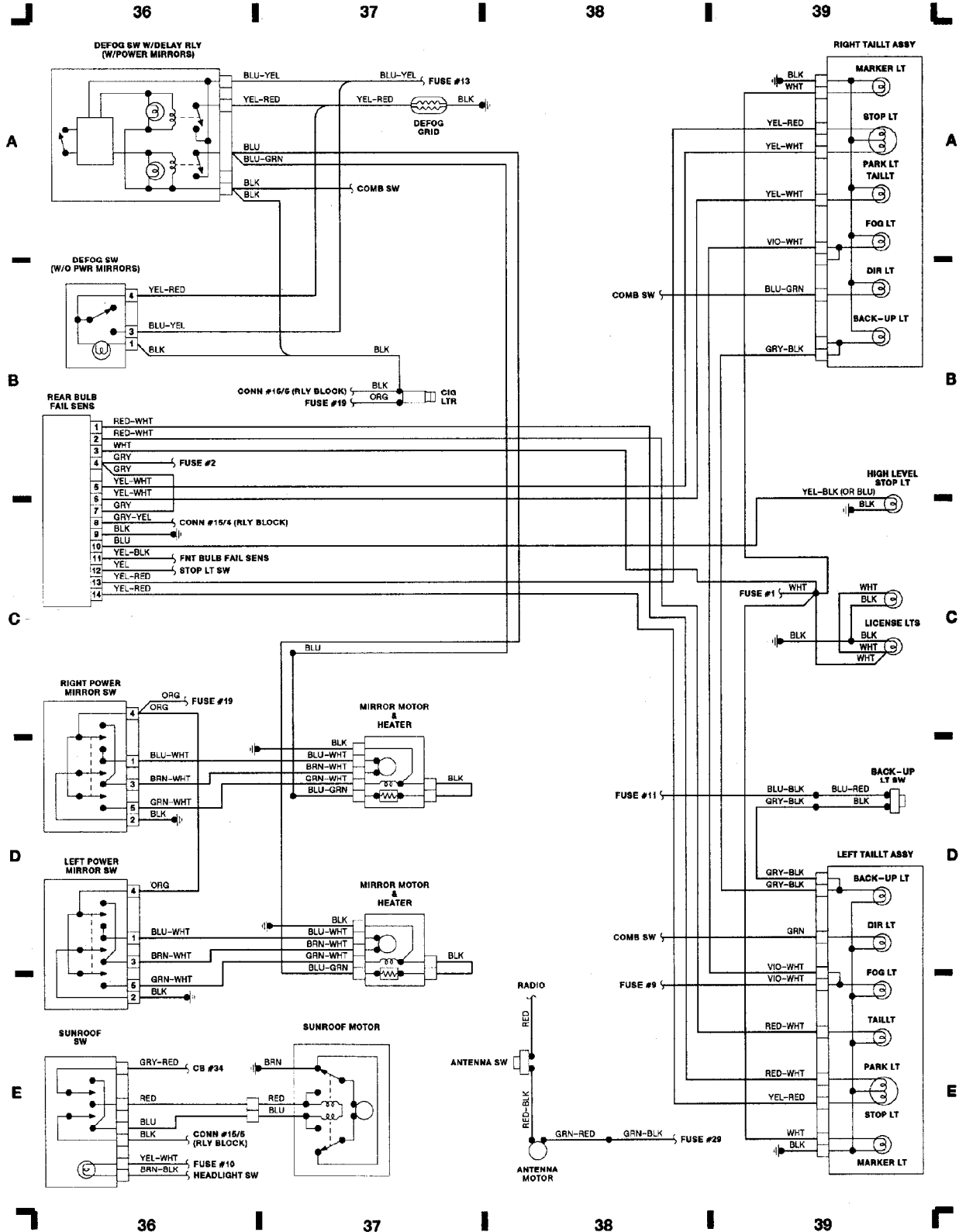
Fig. 10: Power Mirrors, Defog, Sunroof and Taillights

1989 Volvo 760

For x

Copyright © 1998 Mitchell Repair Information Company, LLC

Friday, July 23, 2004 09:33PM



WIRING DIAGRAMS

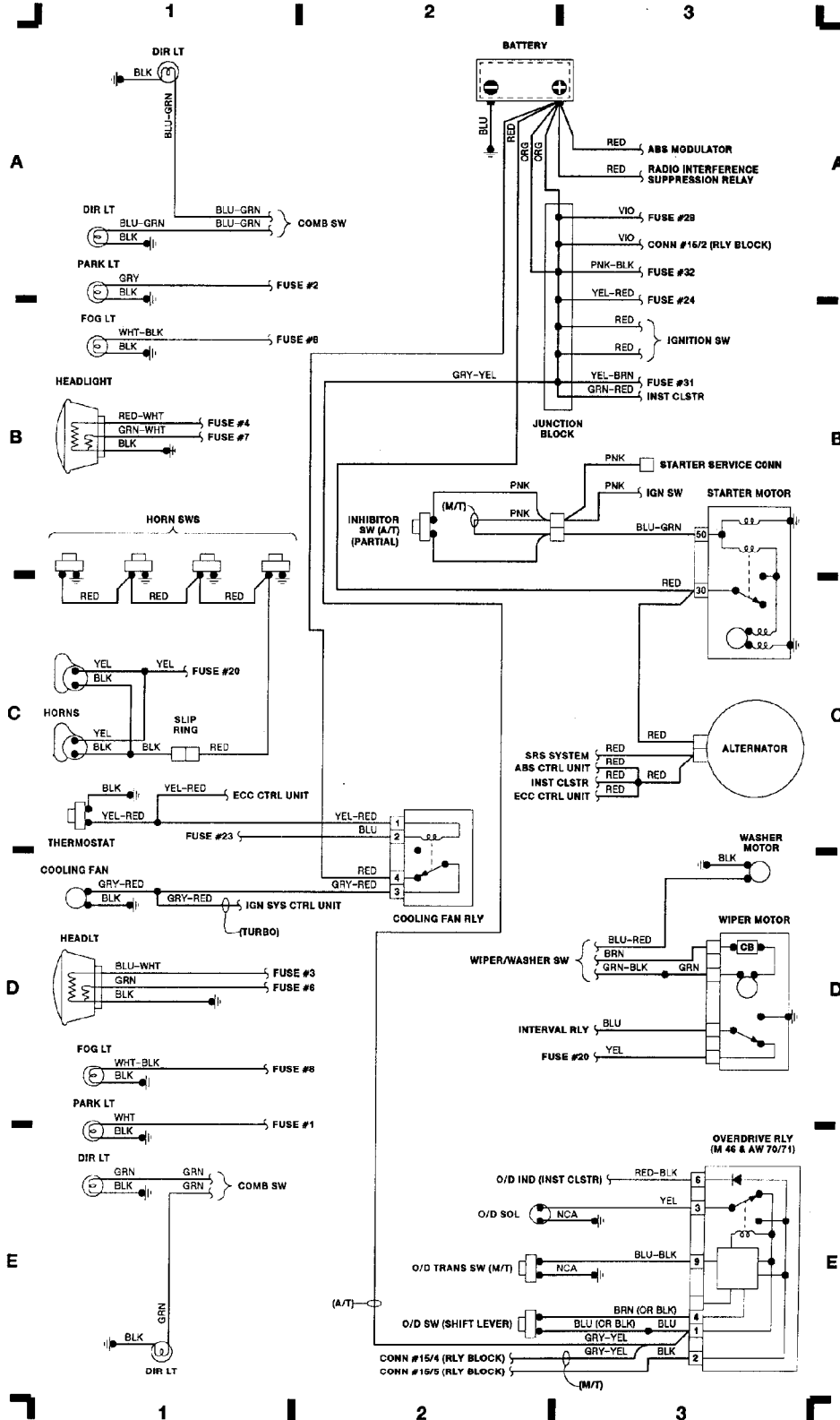
Fig. 1: Engine Compartment & Headlights

1989 Volvo 760

For x
Copyright © 1998 Mitchell Repair Information Company, LLC
Friday, July 23, 2004 09:32PM

COMPONENT LOCATOR:

ABS CTRL UNIT	A 25-26
ABS MODULATOR	A-C 27
ALTERNATOR	C 3
ANTENNA MOTOR	E 38
BACK-UP LT SW	D 39
BATTERY	A 2
CENTRAL LOCKING RLY	E 35
CIG LTR	B 37
CIG LTR LT	E 12
CLOCK RESET BUTTONS	D 31
COMB SW	A-B 20
CONN #15/2	A 17
CONN #15/3	A 14
CONN #15/4	A 18
CONN #15/5	B 17-18
CONN #15/6	B 16-17
CONN #15/7	B-C 14
COOLANT FAN RLY	C-D 2
CRUISE CTRL MOD	C 25-26
CRUISE CTRL SW	C 24
DEFOG SW	A-B 36
DOOR SWS	D-E 24
ECC CTRL UNIT	C-E 19
FNT ASHTRAY LT	E 12
FNT BULB FAIL SENS	C 35
FNT WASHER MOTOR	C 3
FNT WIPER INTERVAL RLY	D 23
FNT WIPER MOTOR	D 3
FNT WIPER/WASHER SW	C 23
FOG LT RLY	B-C 20
FOG LT SW	C-D 20
FUEL INJ ECU (4 CYL)	A-B 6
FUEL INJ ECU (6 CYL)	A-B 4
FUEL PUMP (MAIN) (4 CYL)	C 10
FUEL PUMP (MAIN) (6 CYL)	C 6
FUEL PUMP (TANK) (4 CYL)	C 11
FUEL PUMP (TANK) (6 CYL)	B 6
FUEL SYS RLY (4 CYL)	B 11
FUEL SYS RLY (6 CYL)	B 7
FUSE BLOCK	A-E 13-14
GEAR SEL SW LT	E 12
GLOVE BOX LT SW	D 20
GLOVE BOX LT	E 20
HEADLT RLY	B 23
HEADLT SW	A-B 23
HEATER BLOWER MOTOR	D 15
HORNS	C 1
IGN SW	C 16
IGN SYS ECU (4 CYL)	D-E 8
IGN SYS ECU (6 CYL)	D-E 4
INHIBITOR SW	B 2
INST CLSTR	A-E 28-30
JUNCTION BLOCK	A-B 2-3
LEFT SEAT HTR SW & LT	C-D 32
LEFT SEAT THERMOSTAT	C-D 32
O ₂ SENS (LAMBDA-SOND) (4 CYL)	C 11
O ₂ SENS (LAMBDA-SOND) (6 CYL)	C 7
OVERDRIVE RLY	D 3
POWER WINDOW SYS	D-E 32-33
PWR WINDOW RLY	D 20
RADIO INTERFERENCE SUPPRESSION RLY (4 CYL)	D 11
RADIO INTERFERENCE SUPPRESSION RLY (6 CYL)	D 7
REAR ASSTRY LT	E 12
REAR SEAT BELT IND	A 33
REAR WIPER INTERVAL RLY	D-E 21
REAR WIPER MOTOR	E 21
REAR WIPER/WASHER SW	D-E 23
RELAY BLOCK	A-B 17-18
RIGHT POWER MIRROR SW	A-C 36
RIGHT SEAT THERMOSTAT	B 32
SEAT BELT LOCK (RIGHT/LEFT)	A 32
SEAT BELT REMINDER	A 33-34
SEAT HEATER SW LT	E 12
SRS SYSTEM	C 27
STARTER MOTOR	B-C 3
STOP LT SW	D 24
SUNROOF SW	E 36
TRANSIENT SURGE PROTECTOR	B 24
VANITY MIRROR LTS	E 20



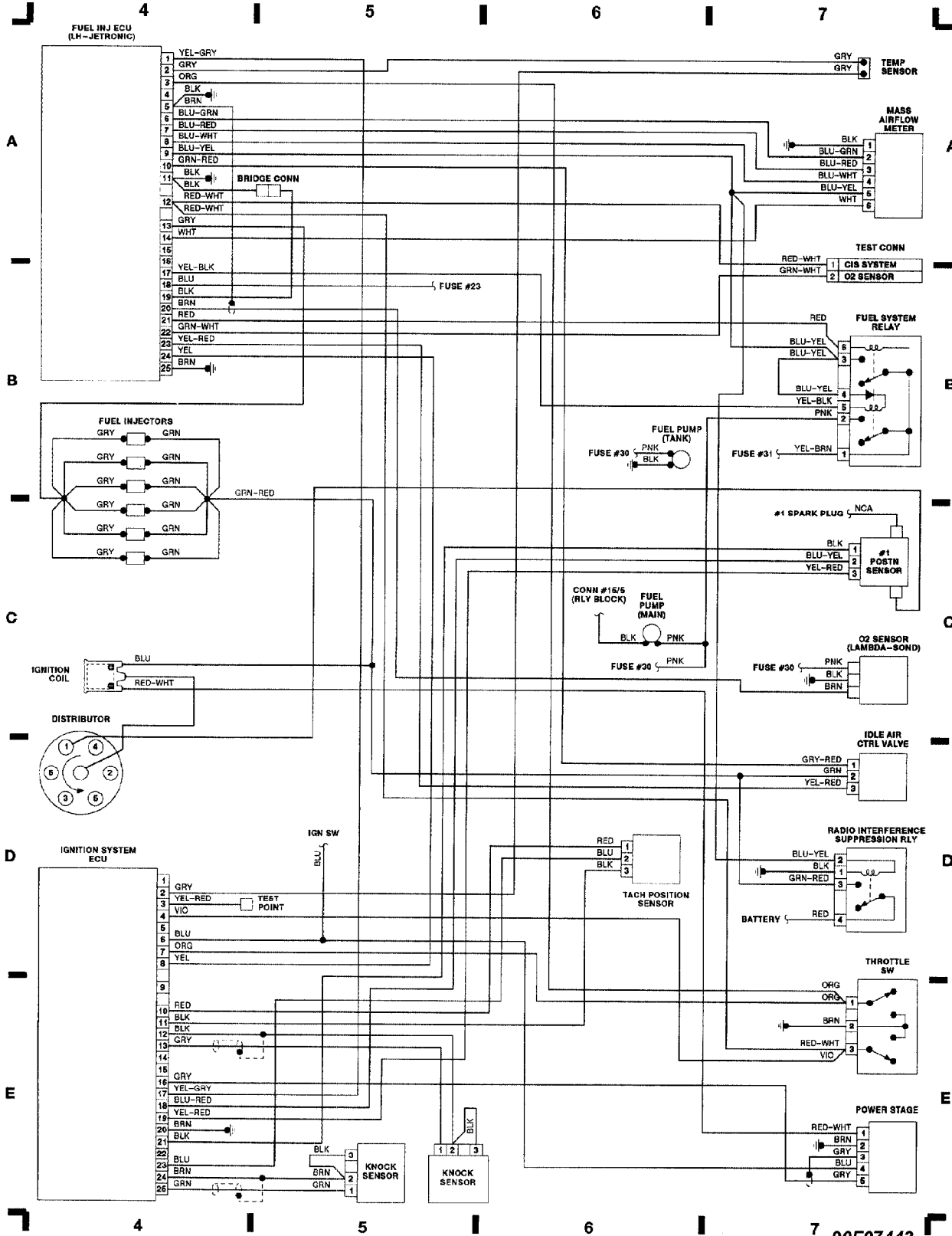
WIRING DIAGRAMS

Fig. 2: Computer Engine Control (V6)

1989 Volvo 760

For x

Copyright © 1998 Mitchell Repair Information Company, LLC
Friday, July 23, 2004 09:32PM



WIRING DIAGRAMS

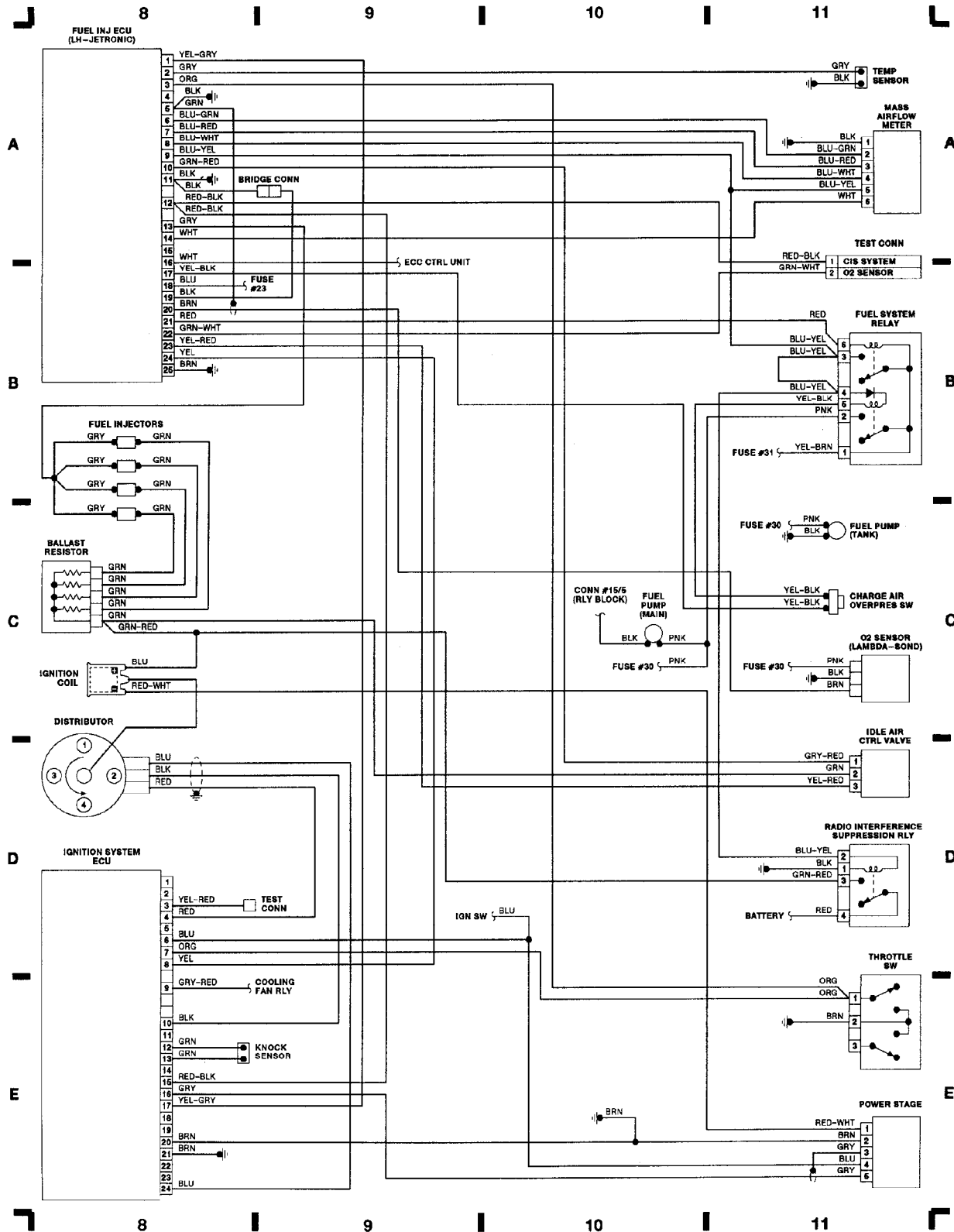
Fig. 3: Computer Engine Control (4-Cylinder)

1989 Volvo 760

For x

Copyright © 1998 Mitchell Repair Information Company, LLC

Friday, July 23, 2004 09:32PM



WIRING DIAGRAMS

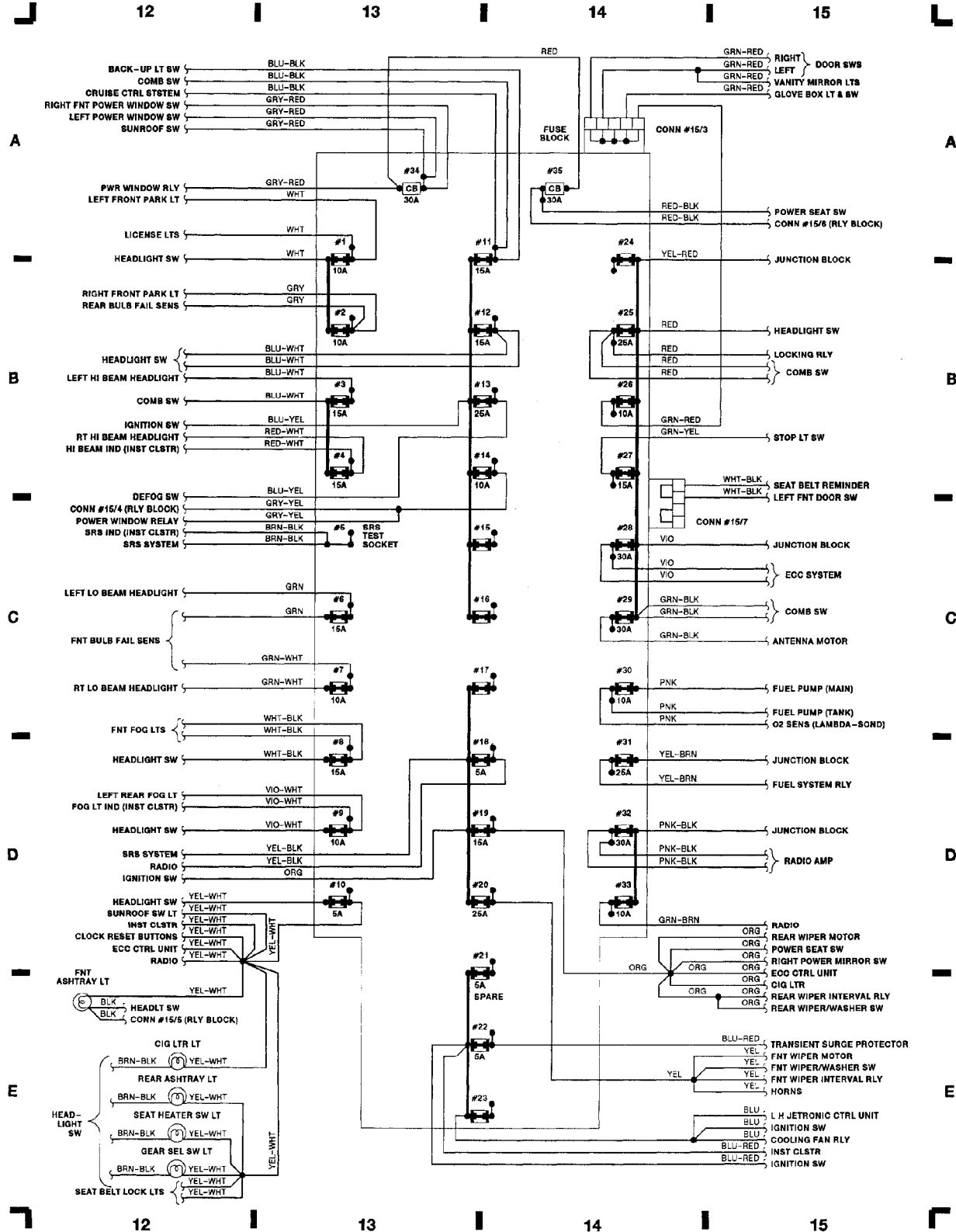
Fig. 4: Fuse Block

1989 Volvo 760

For x

Copyright © 1998 Mitchell Repair Information Company, LLC

Friday, July 23, 2004 09:32PM



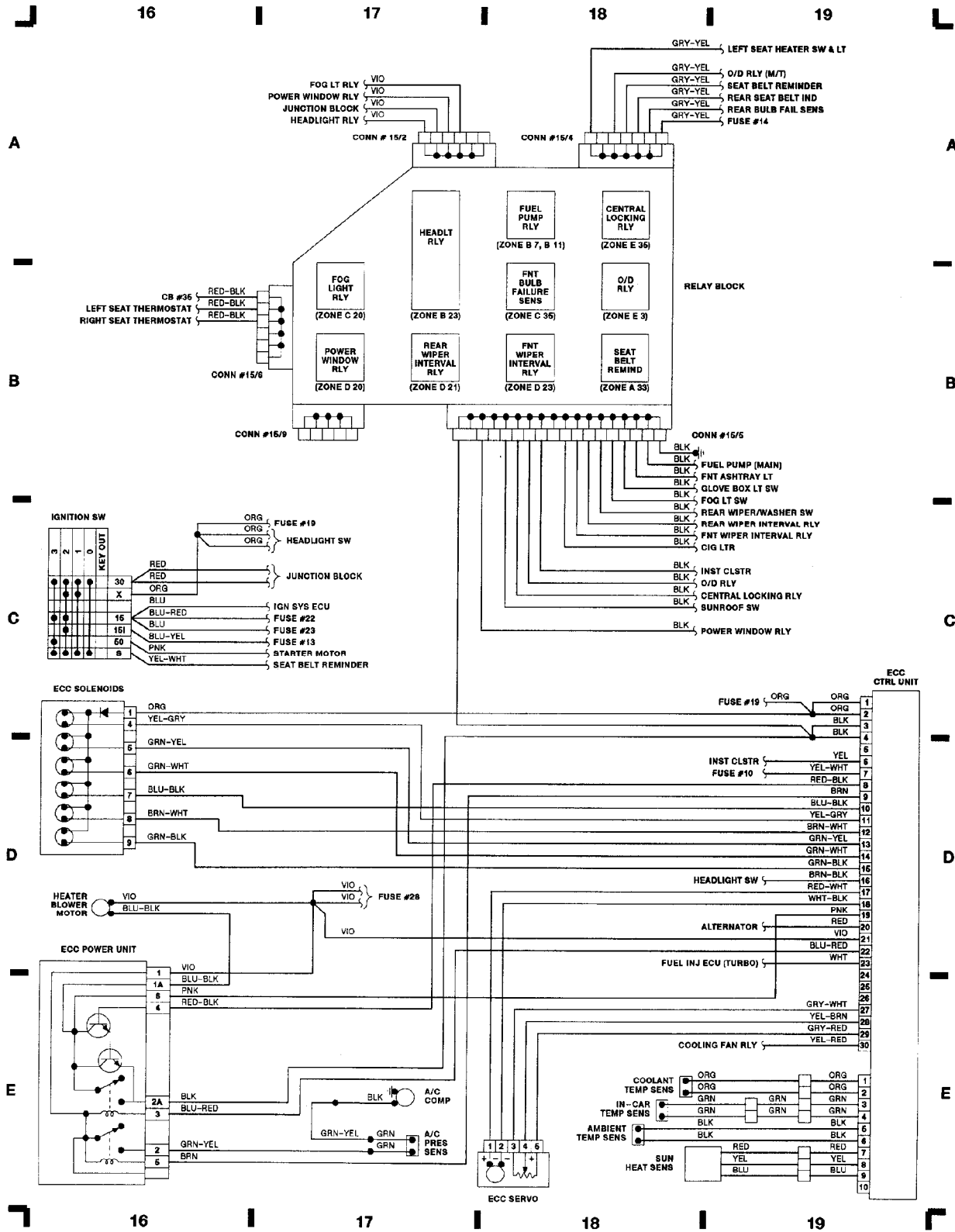
WIRING DIAGRAMS

Fig. 5: Auto A/C & Heating, Relays

1989 Volvo 760

For x

Copyright © 1998 Mitchell Repair Information Company, LLC
Friday, July 23, 2004 09:32PM



WIRING DIAGRAMS

Fig. 6: Steering Column

1989 Volvo 760

For x
 Copyright © 1998 Mitchell Repair Information Company, LLC
 Friday, July 23, 2004 09:32PM

