

SYSTEM WIRING DIAGRAMS

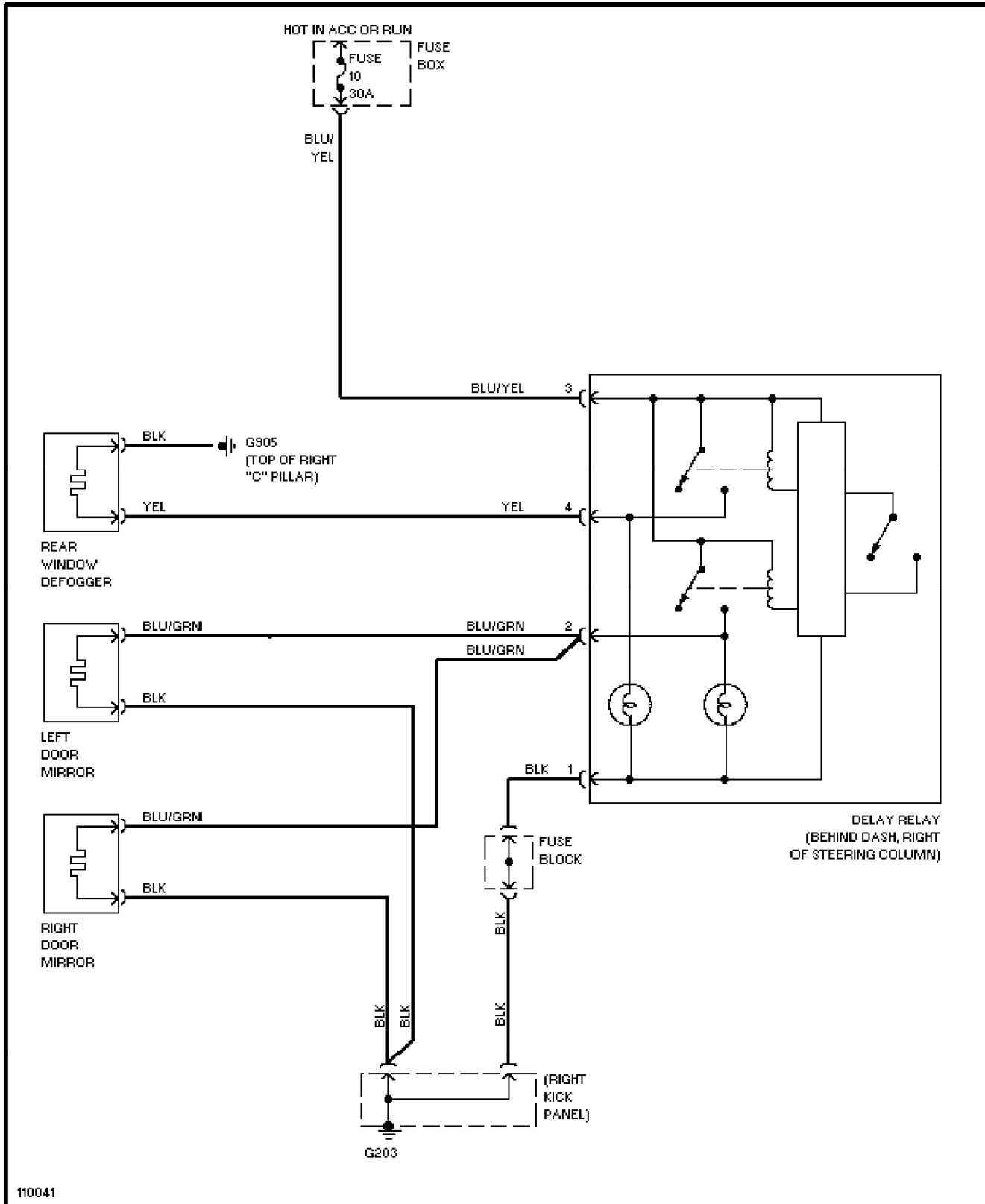
Rear Defogger & Heated Mirrors Circuit

1985 Volvo 740

For x

Copyright © 1998 Mitchell Repair Information Company, LLC

Friday, July 23, 2004 07:25PM



WIRING DIAGRAMS

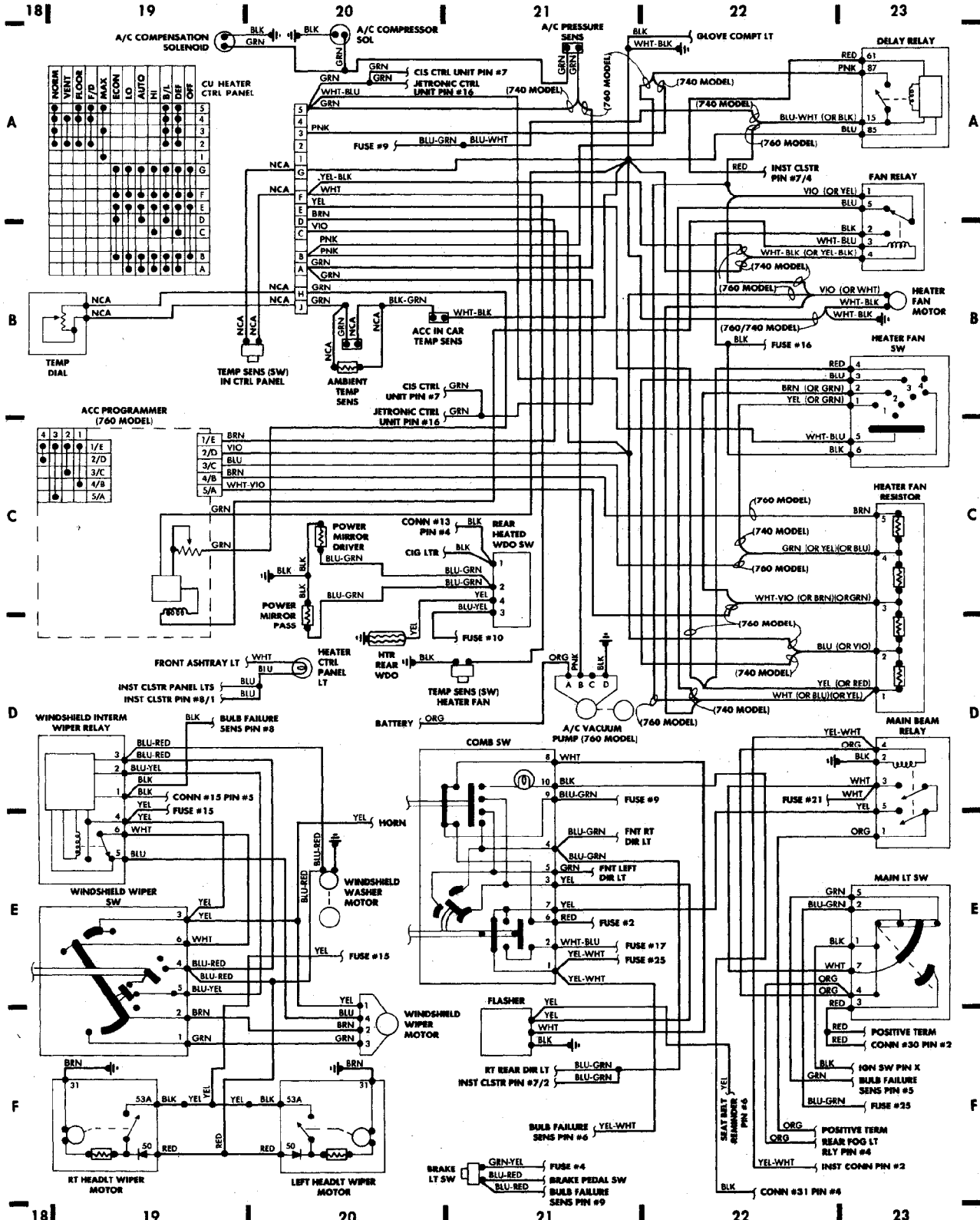
Fig. 5: Underdash

1985 Volvo 740

For x

Copyright © 1998 Mitchell Repair Information Company, LLC

Friday, July 23, 2004 07:26PM



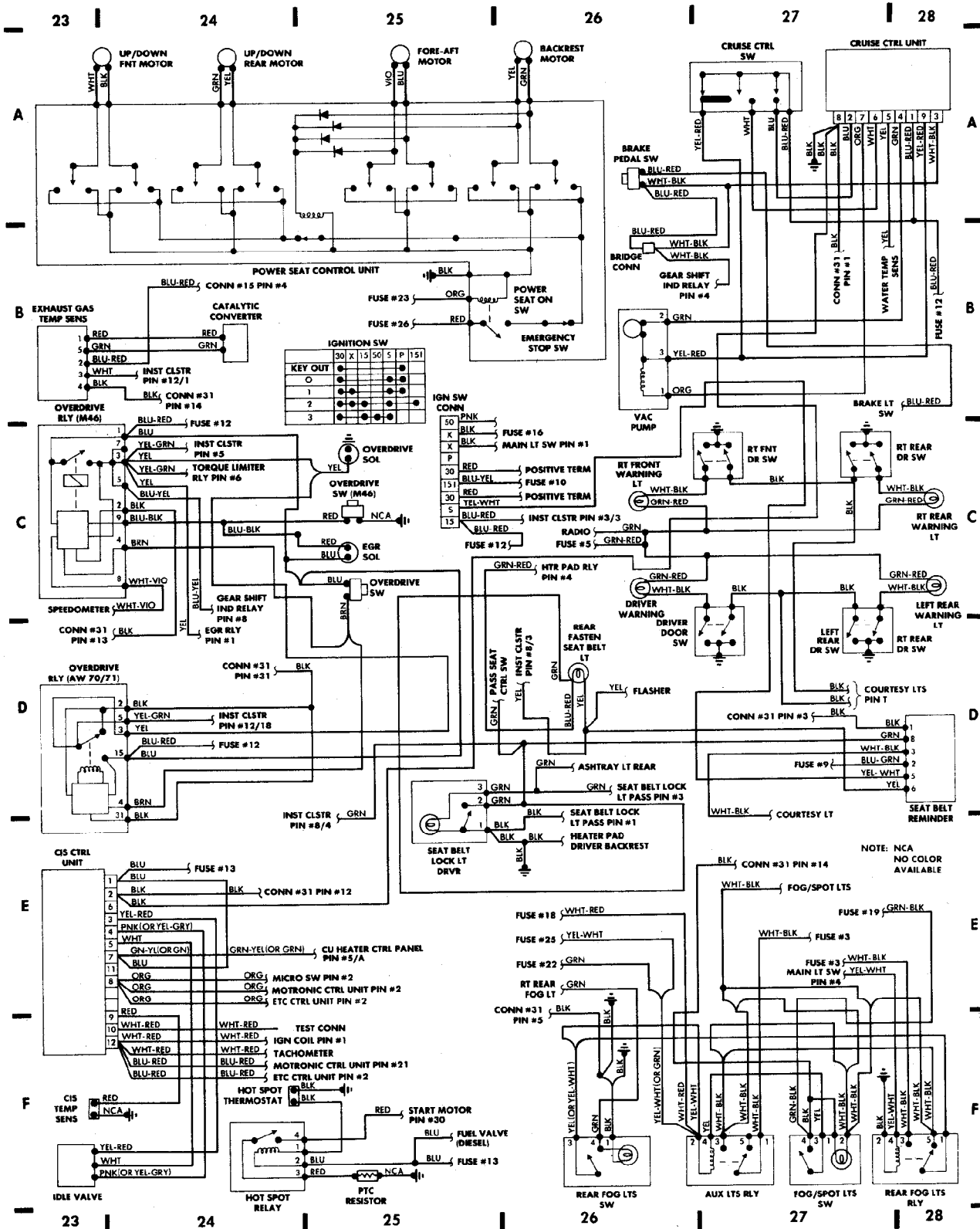
WIRING DIAGRAMS

Fig. 6: Underdash (Cont.)

1985 Volvo 740

For x

Copyright © 1998 Mitchell Repair Information Company, LLC
Friday, July 23, 2004 07:26PM



WIRING DIAGRAMS

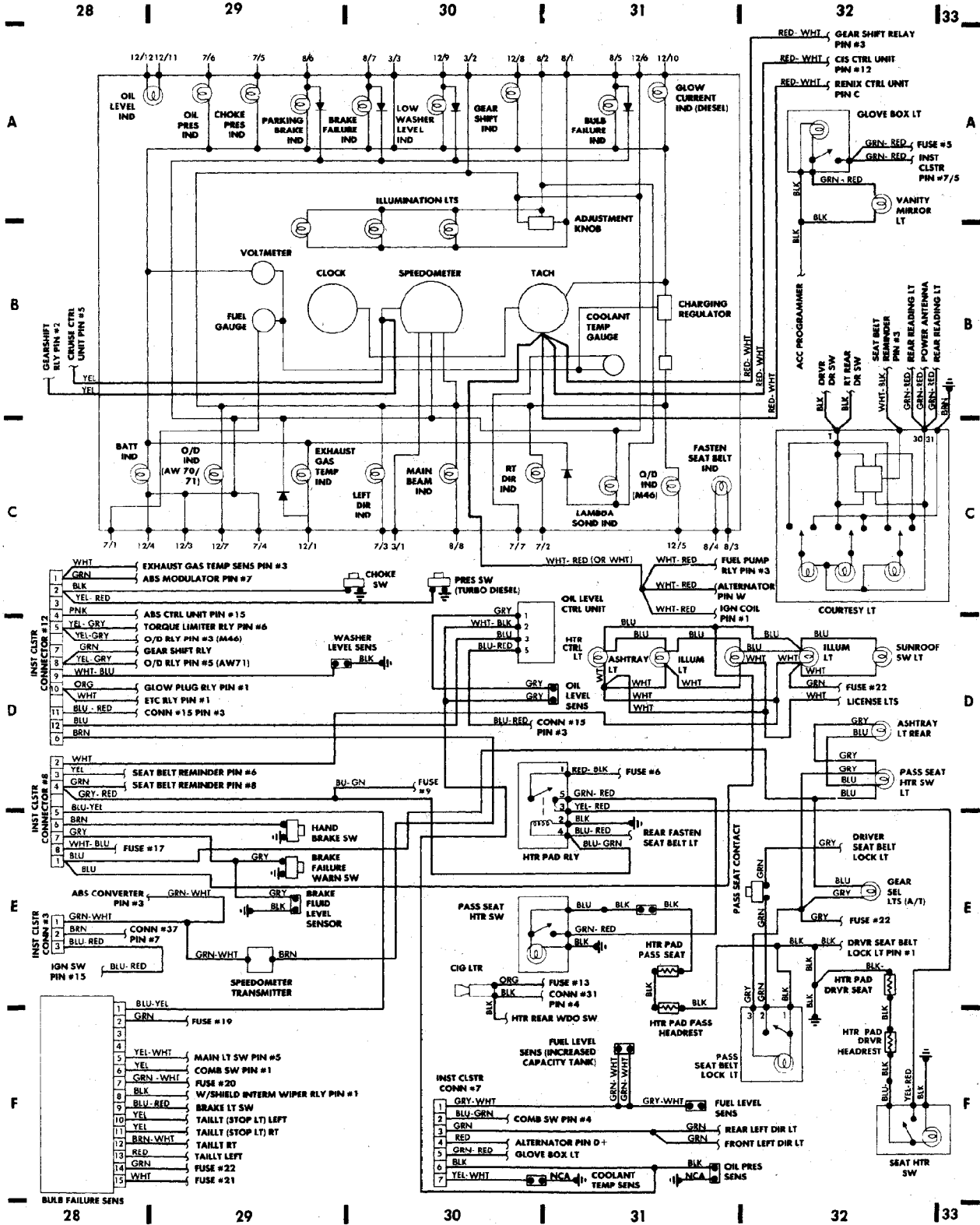
Fig. 7: Instrument Panel

1985 Volvo 740

For x

Copyright © 1998 Mitchell Repair Information Company, LLC

Friday, July 23, 2004 07:26PM

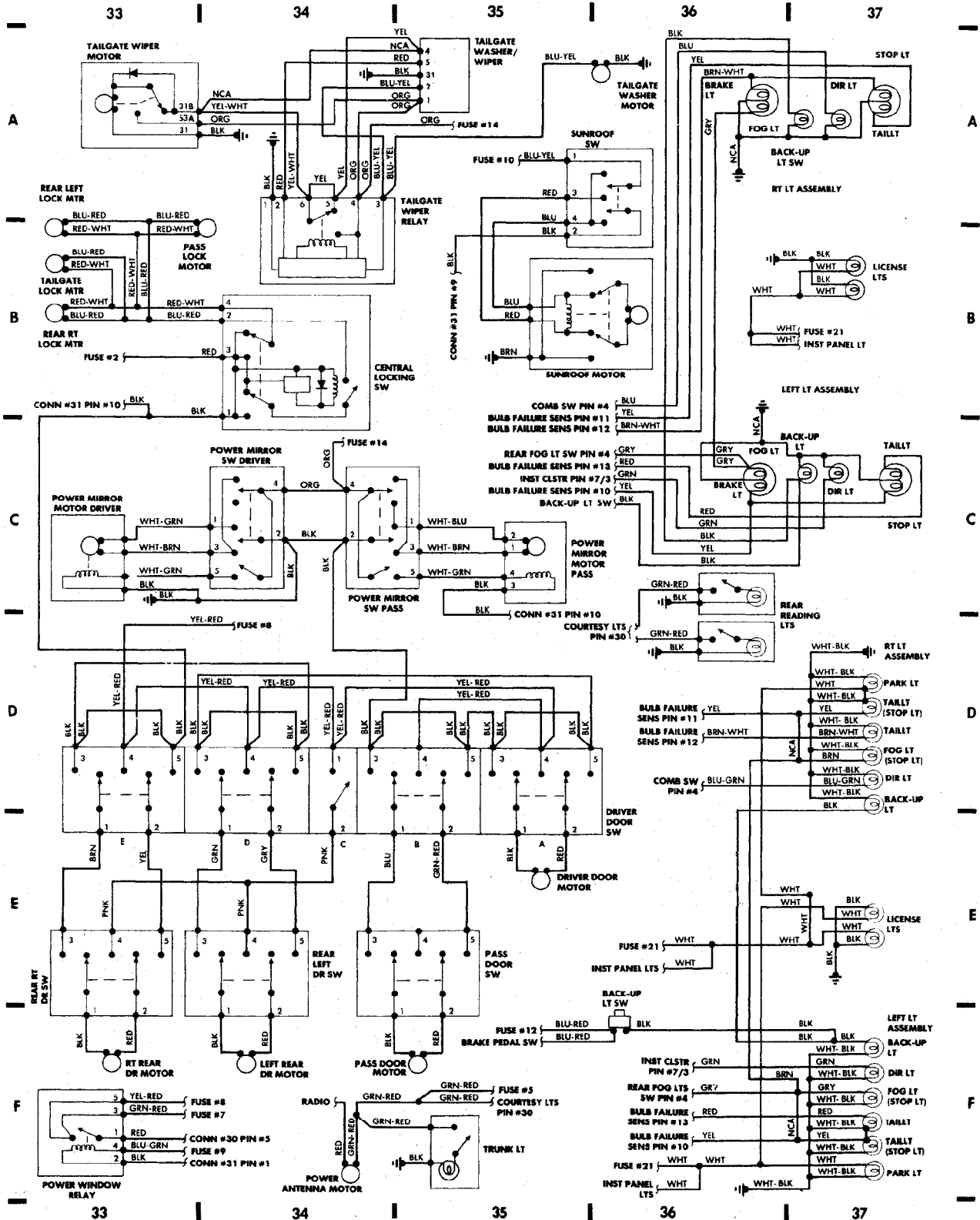


WIRING DIAGRAMS

Fig. 8: Rear Compartment & Accessories

1985 Volvo 740

For x
Copyright © 1998 Mitchell Repair Information Company, LLC
Friday, July 23, 2004 07:26PM



SYSTEM WIRING DIAGRAMS

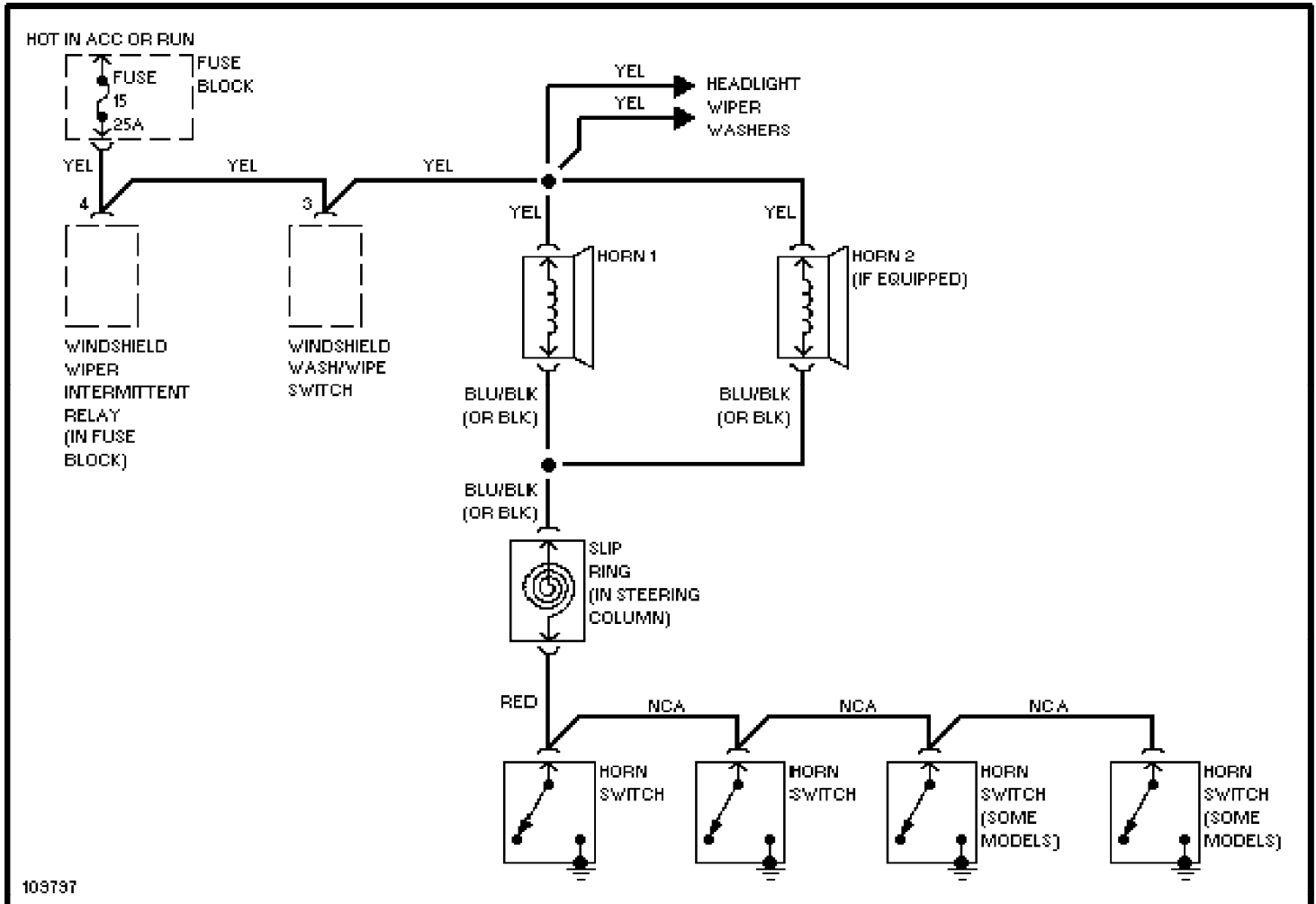
Horn Circuit

1985 Volvo 740

For x

Copyright © 1998 Mitchell Repair Information Company, LLC

Friday, July 23, 2004 07:25PM



SYSTEM WIRING DIAGRAMS

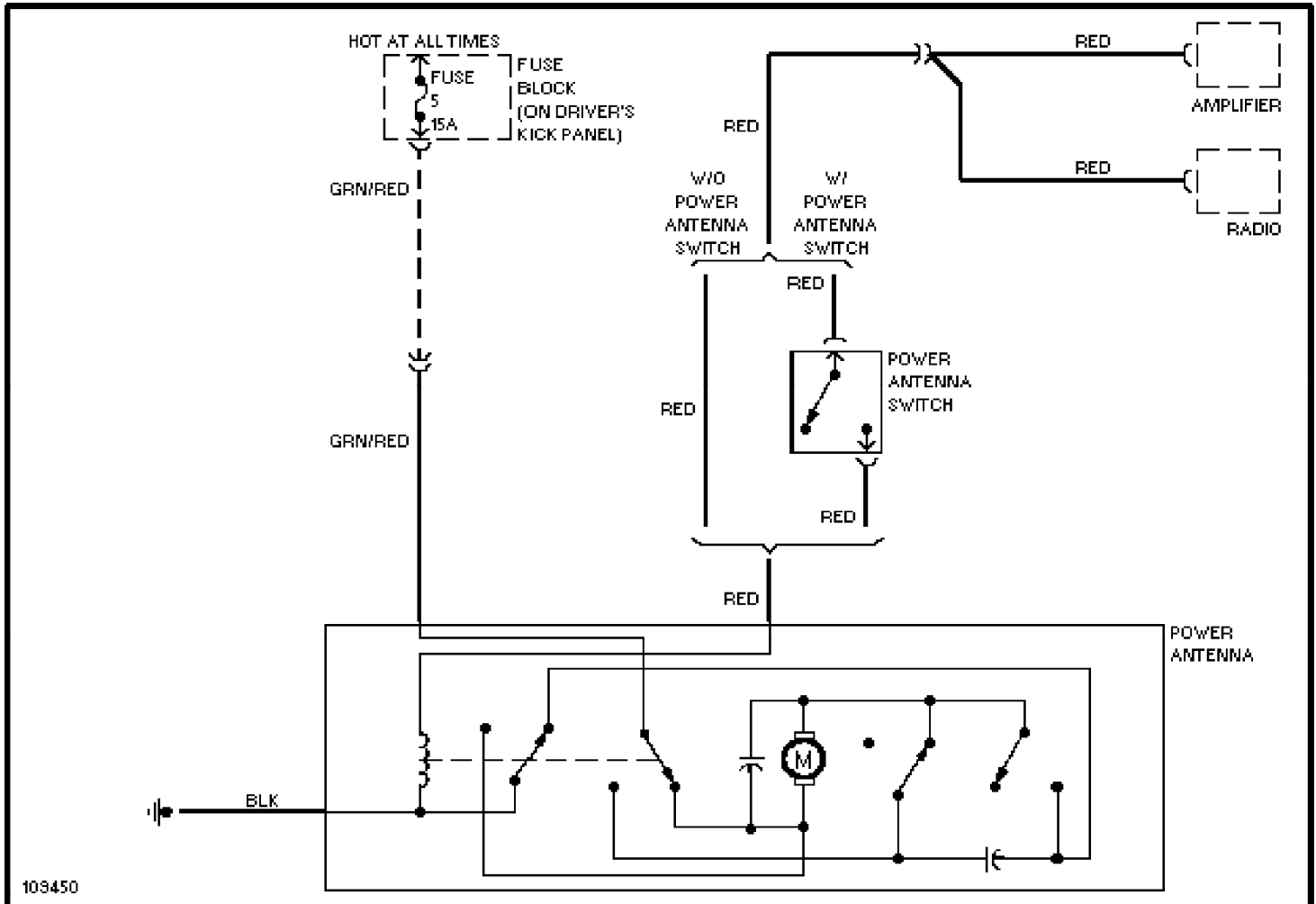
Power Antenna Circuit

1985 Volvo 740

For x

Copyright © 1998 Mitchell Repair Information Company, LLC

Friday, July 23, 2004 07:25PM



SYSTEM WIRING DIAGRAMS

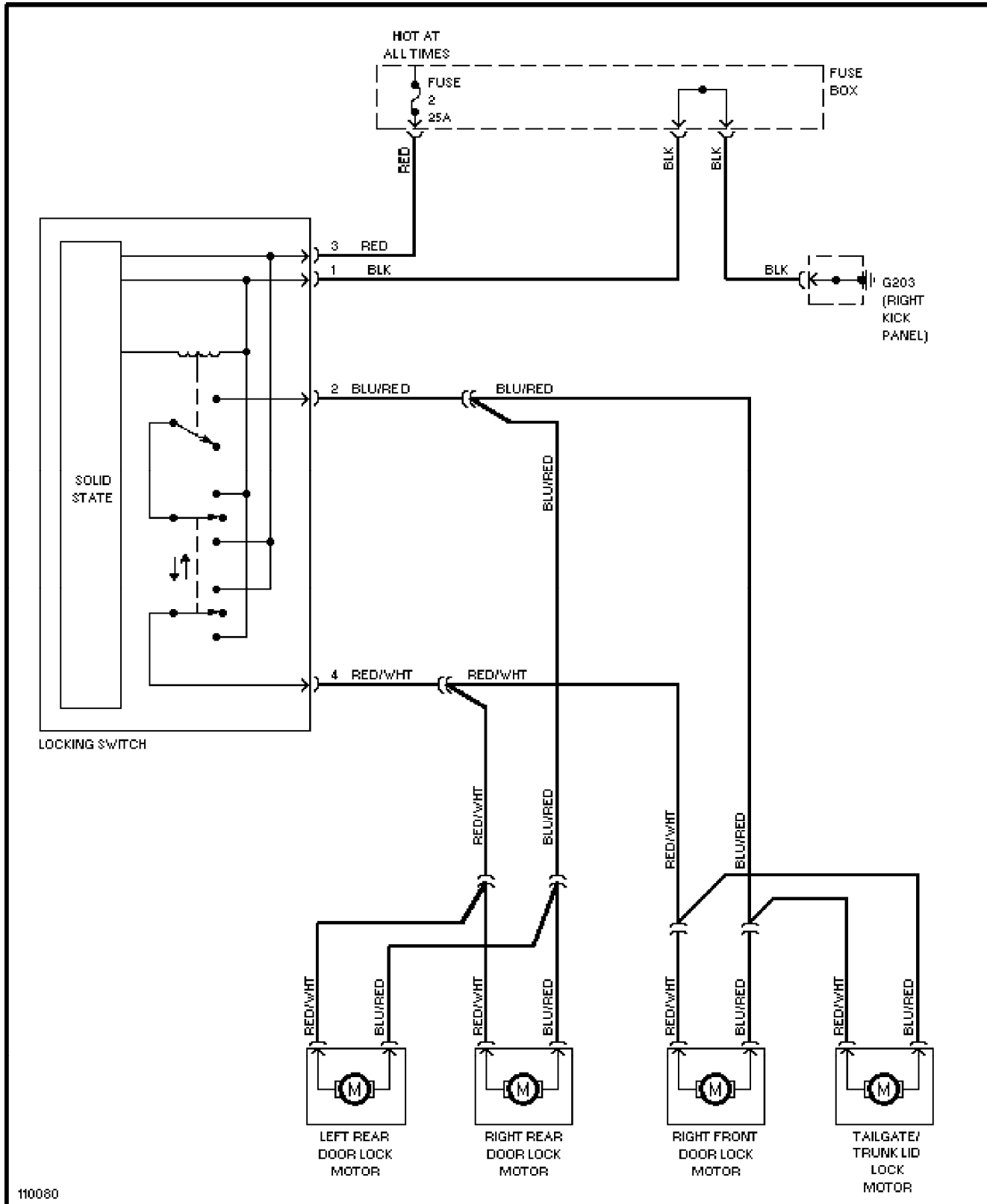
Power Door Lock Circuit

1985 Volvo 740

For x

Copyright © 1998 Mitchell Repair Information Company, LLC

Friday, July 23, 2004 07:25PM



SYSTEM WIRING DIAGRAMS

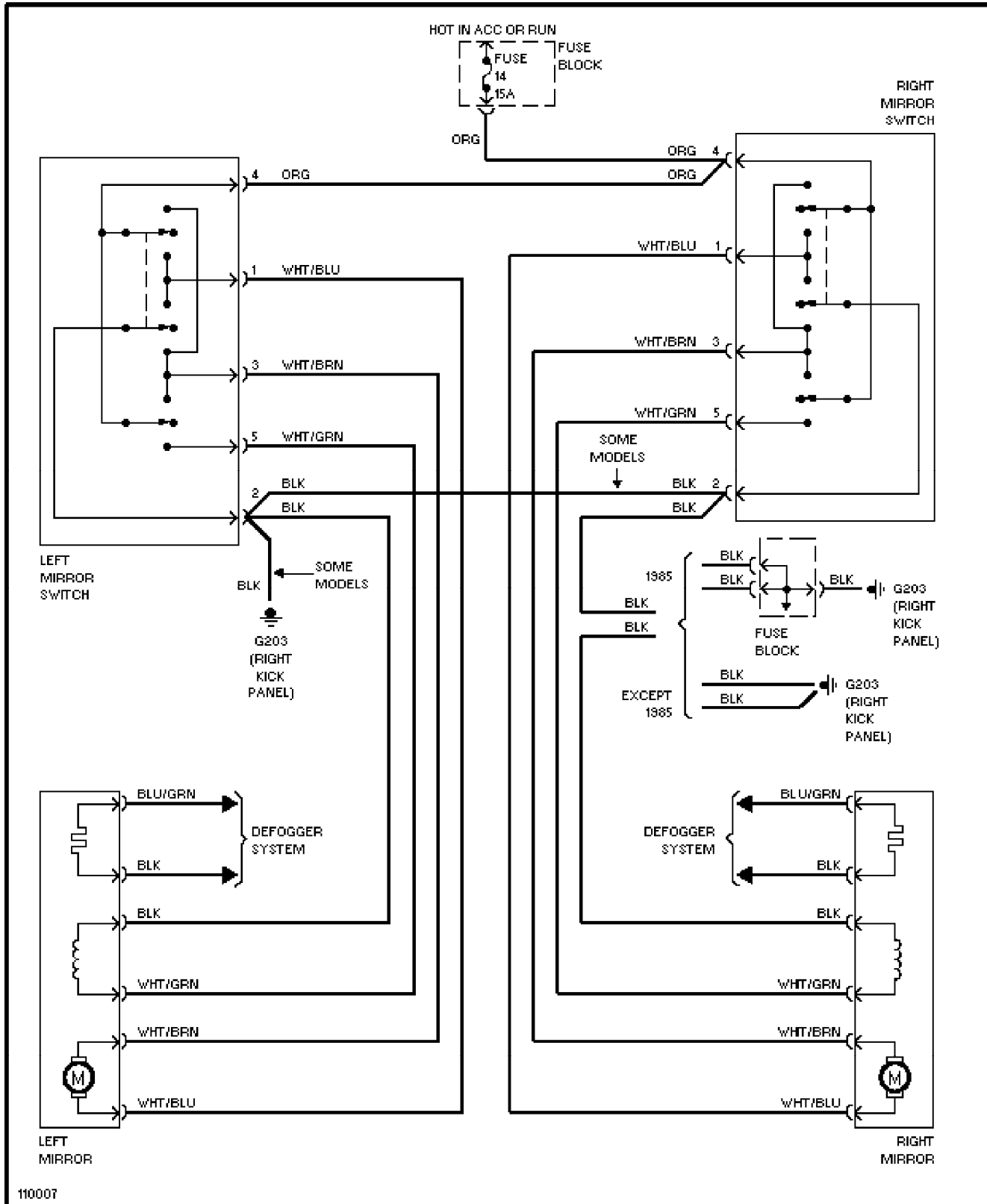
Power Mirror Circuit

1985 Volvo 740

For x

Copyright © 1998 Mitchell Repair Information Company, LLC

Friday, July 23, 2004 07:25PM



SYSTEM WIRING DIAGRAMS

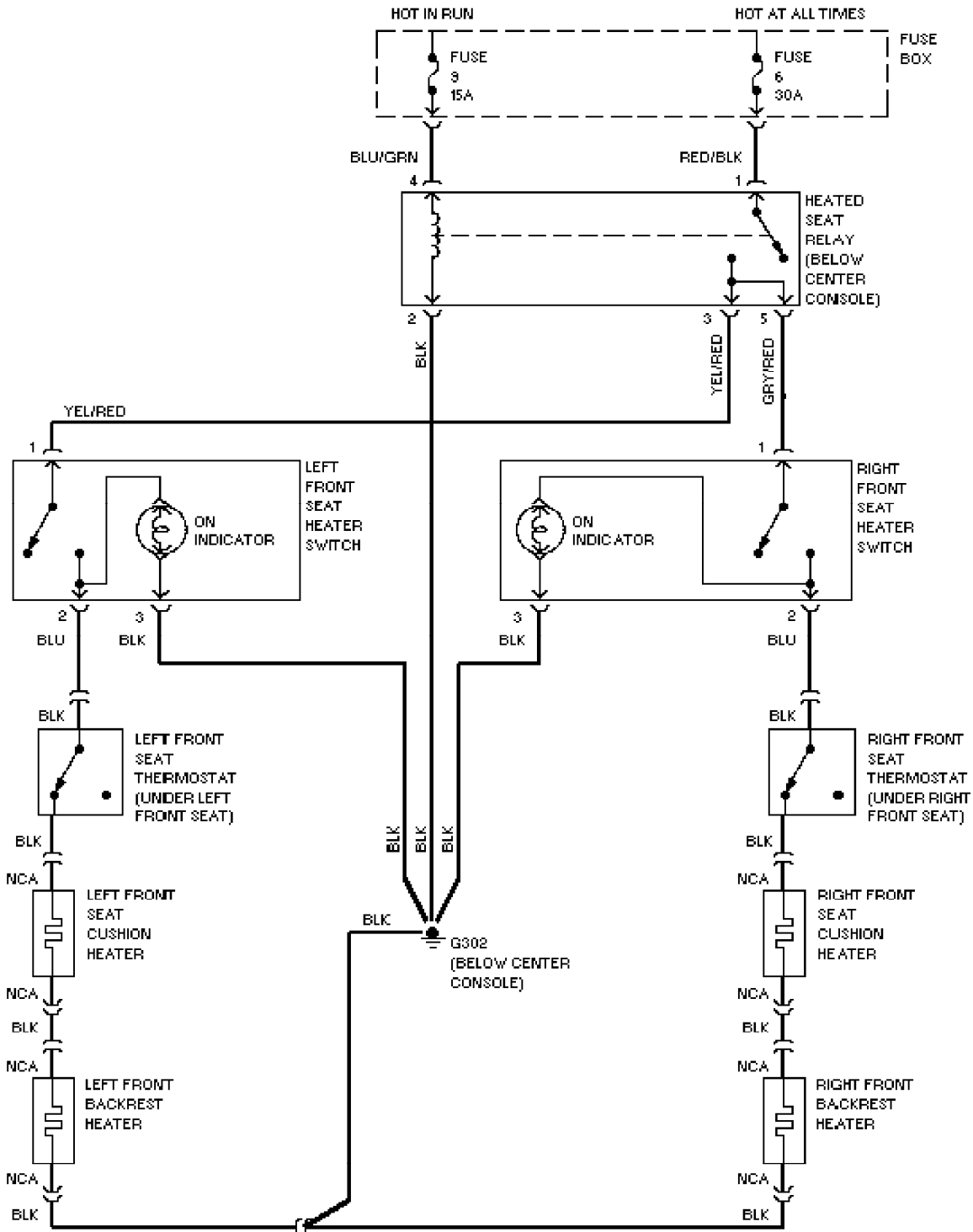
Heated Seats Circuit

1985 Volvo 740

For x

Copyright © 1998 Mitchell Repair Information Company, LLC

Friday, July 23, 2004 07:25PM



SYSTEM WIRING DIAGRAMS

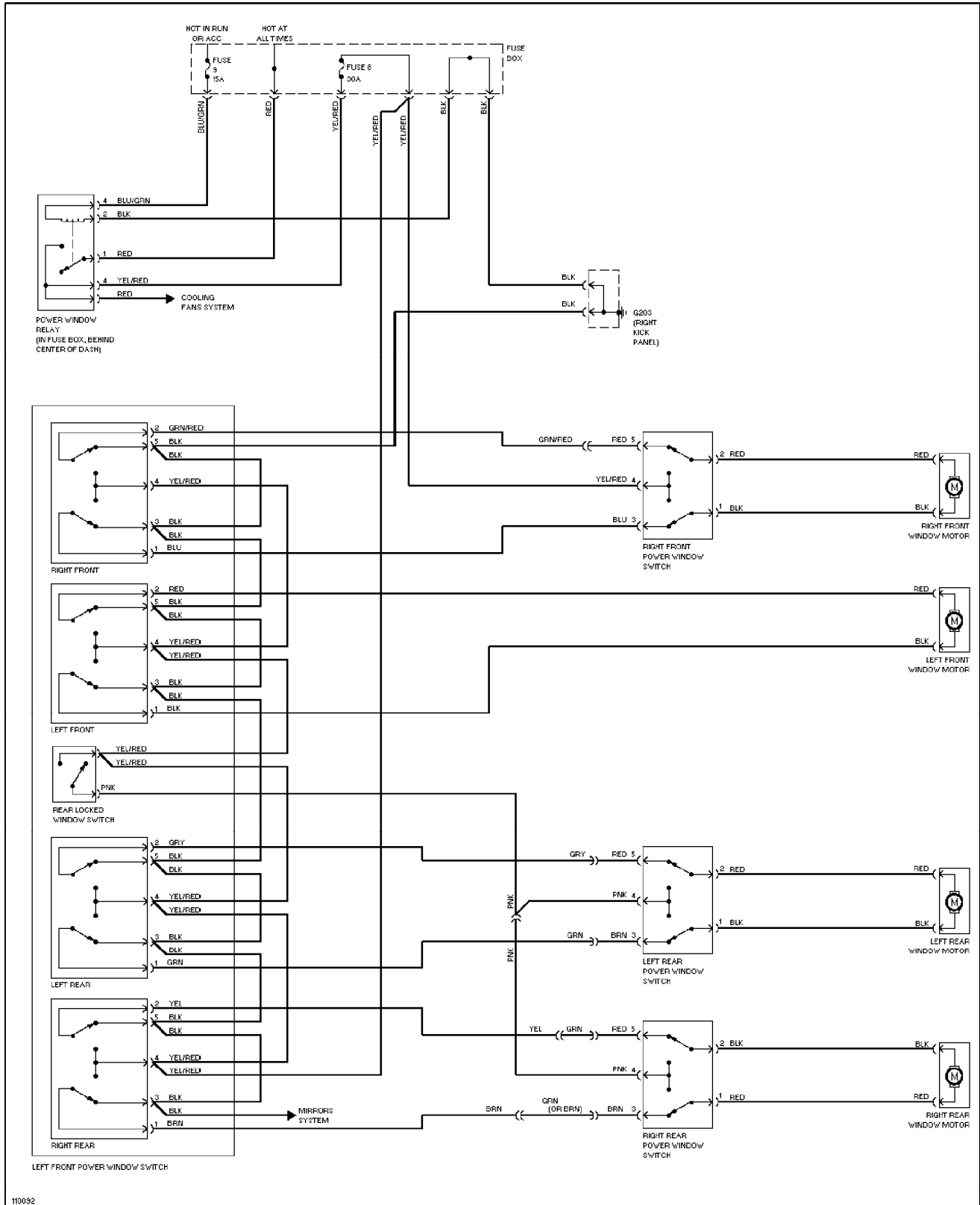
Power Window Circuit

1985 Volvo 740

For x

Copyright © 1998 Mitchell Repair Information Company, LLC

Friday, July 23, 2004 07:25PM



SYSTEM WIRING DIAGRAMS

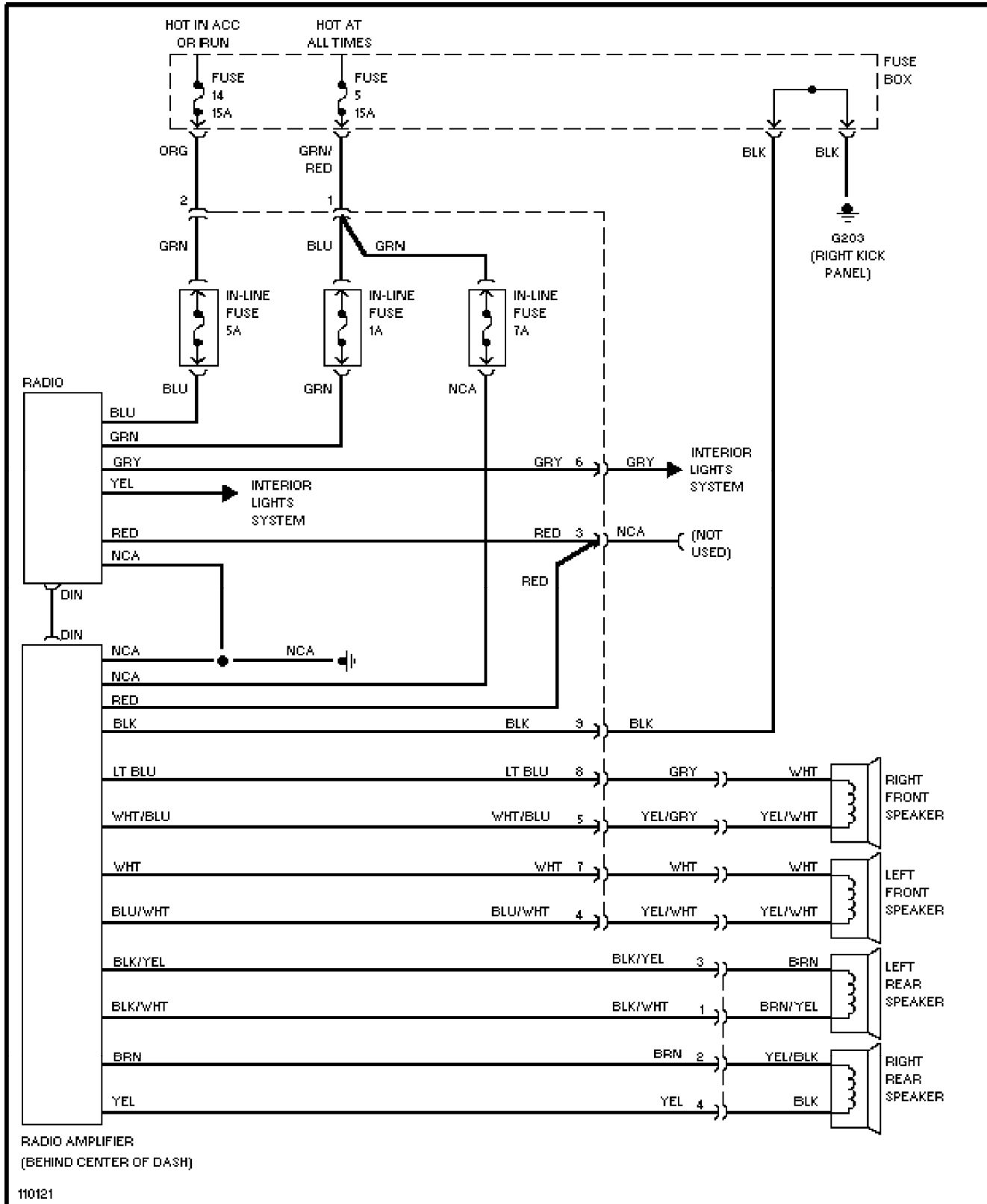
Radio Circuits

1985 Volvo 740

For x

Copyright © 1998 Mitchell Repair Information Company, LLC

Friday, July 23, 2004 07:25PM



SYSTEM WIRING DIAGRAMS

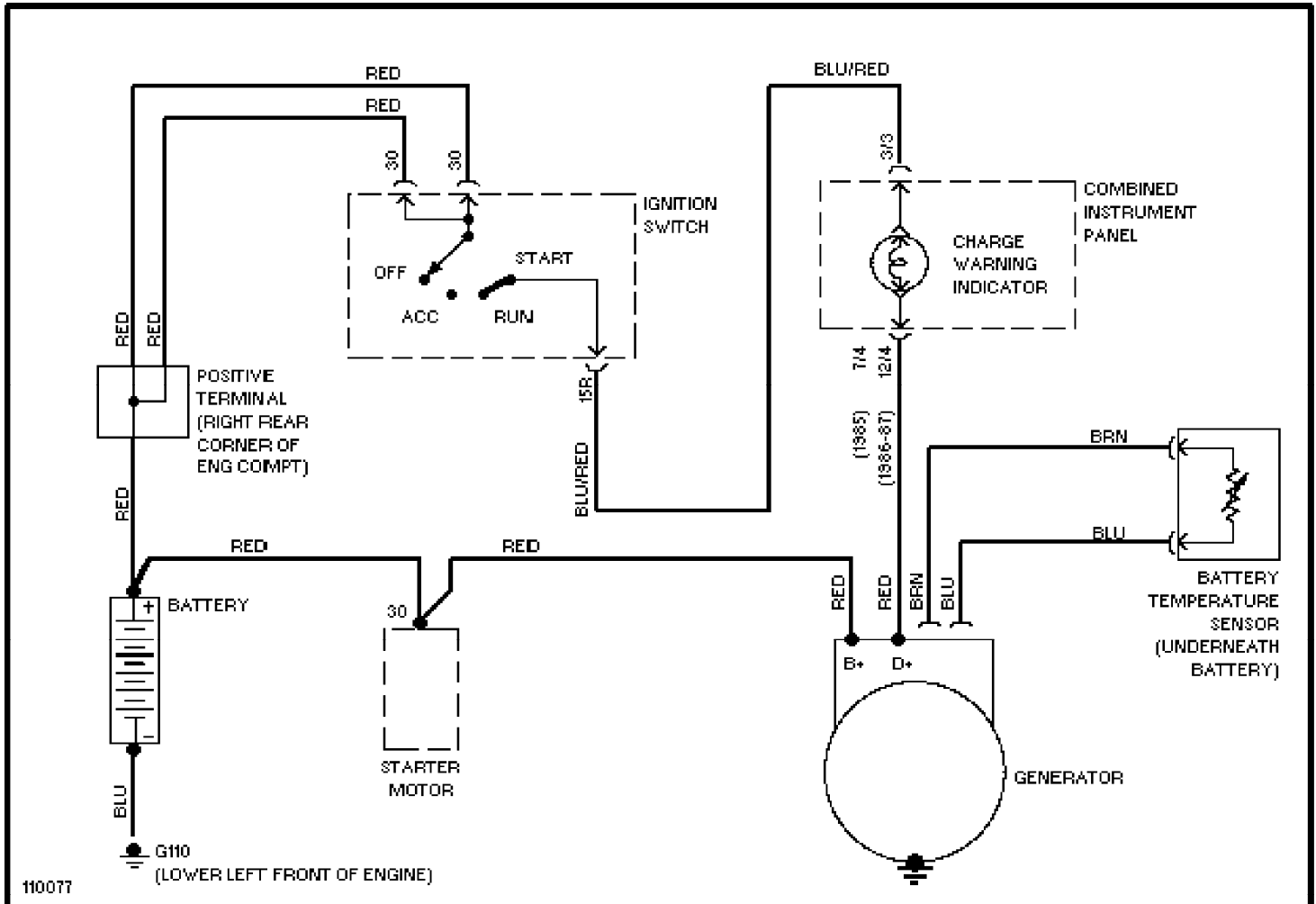
Charging Circuit

1985 Volvo 740

For x

Copyright © 1998 Mitchell Repair Information Company, LLC

Friday, July 23, 2004 07:25PM



SYSTEM WIRING DIAGRAMS

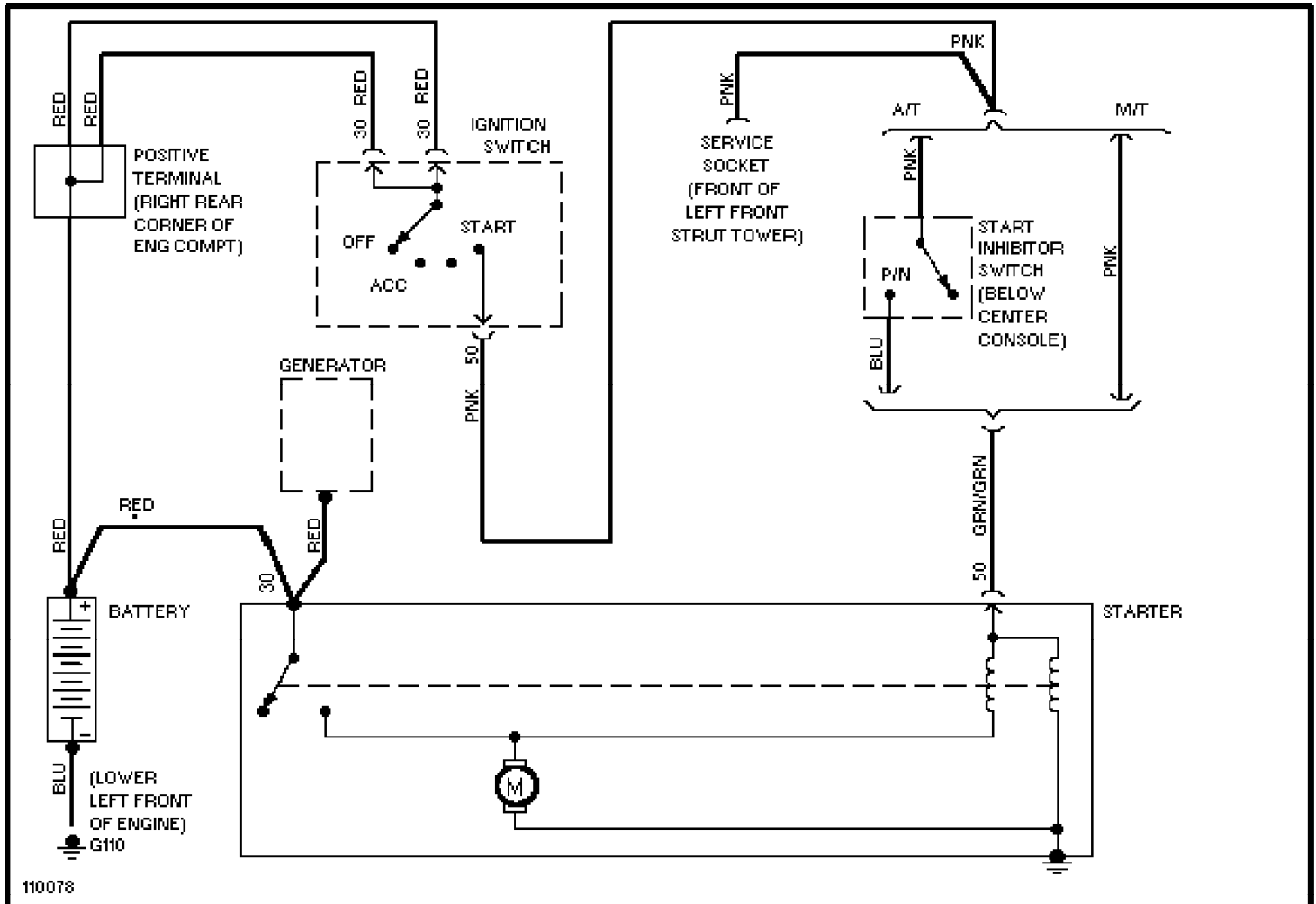
Starting Circuit

1985 Volvo 740

For x

Copyright © 1998 Mitchell Repair Information Company, LLC

Friday, July 23, 2004 07:25PM



SYSTEM WIRING DIAGRAMS

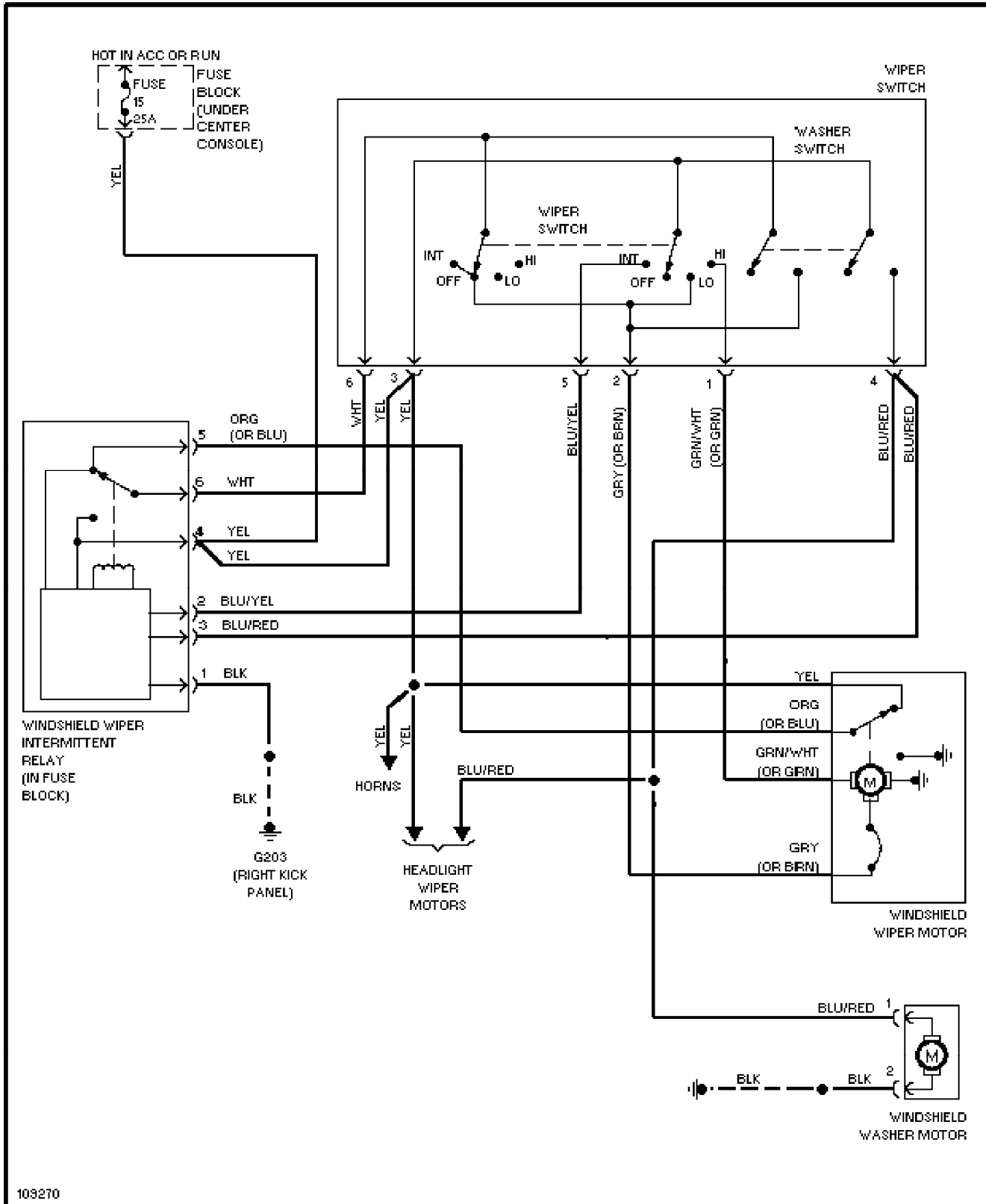
Front Wiper/Washer Circuit

1985 Volvo 740

For x

Copyright © 1998 Mitchell Repair Information Company, LLC

Friday, July 23, 2004 07:26PM



SYSTEM WIRING DIAGRAMS

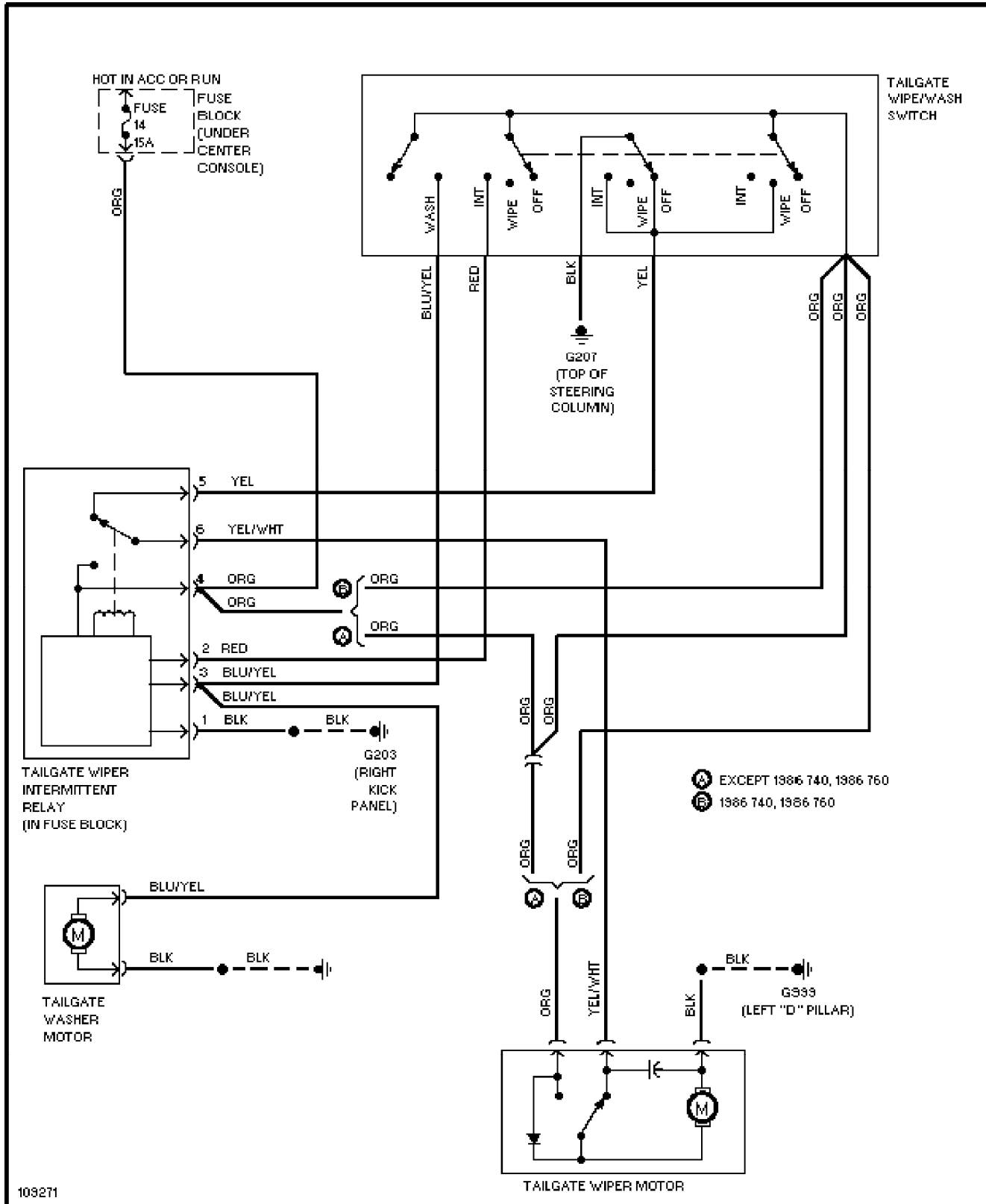
Rear Wiper/Washer Circuit

1985 Volvo 740

For x

Copyright © 1998 Mitchell Repair Information Company, LLC

Friday, July 23, 2004 07:26PM

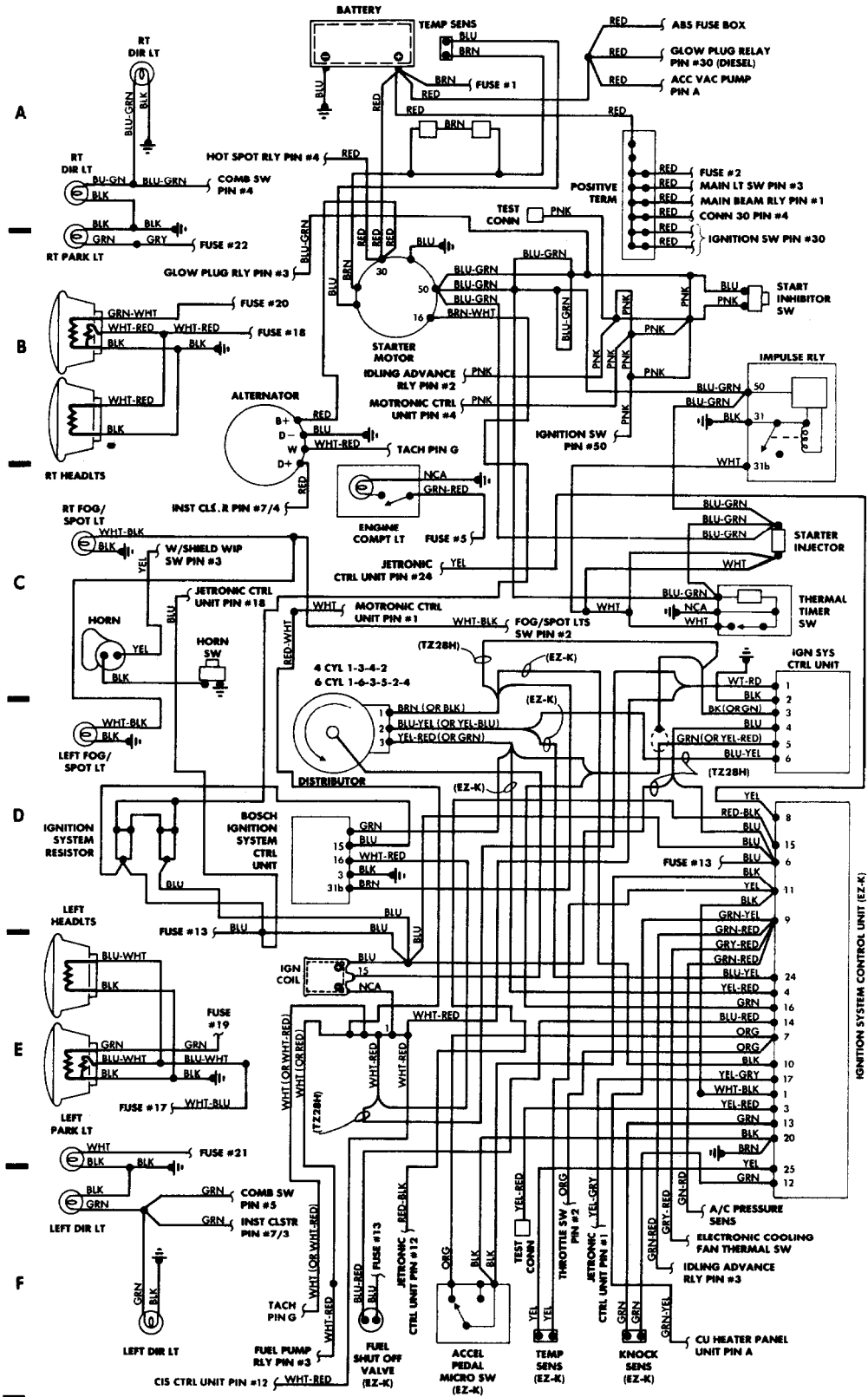


WIRING DIAGRAMS

Fig. 1: Engine Compartment

1985 Volvo 740

For x
 Copyright © 1998 Mitchell Repair Information Company, LLC
 Friday, July 23, 2004 07:26PM



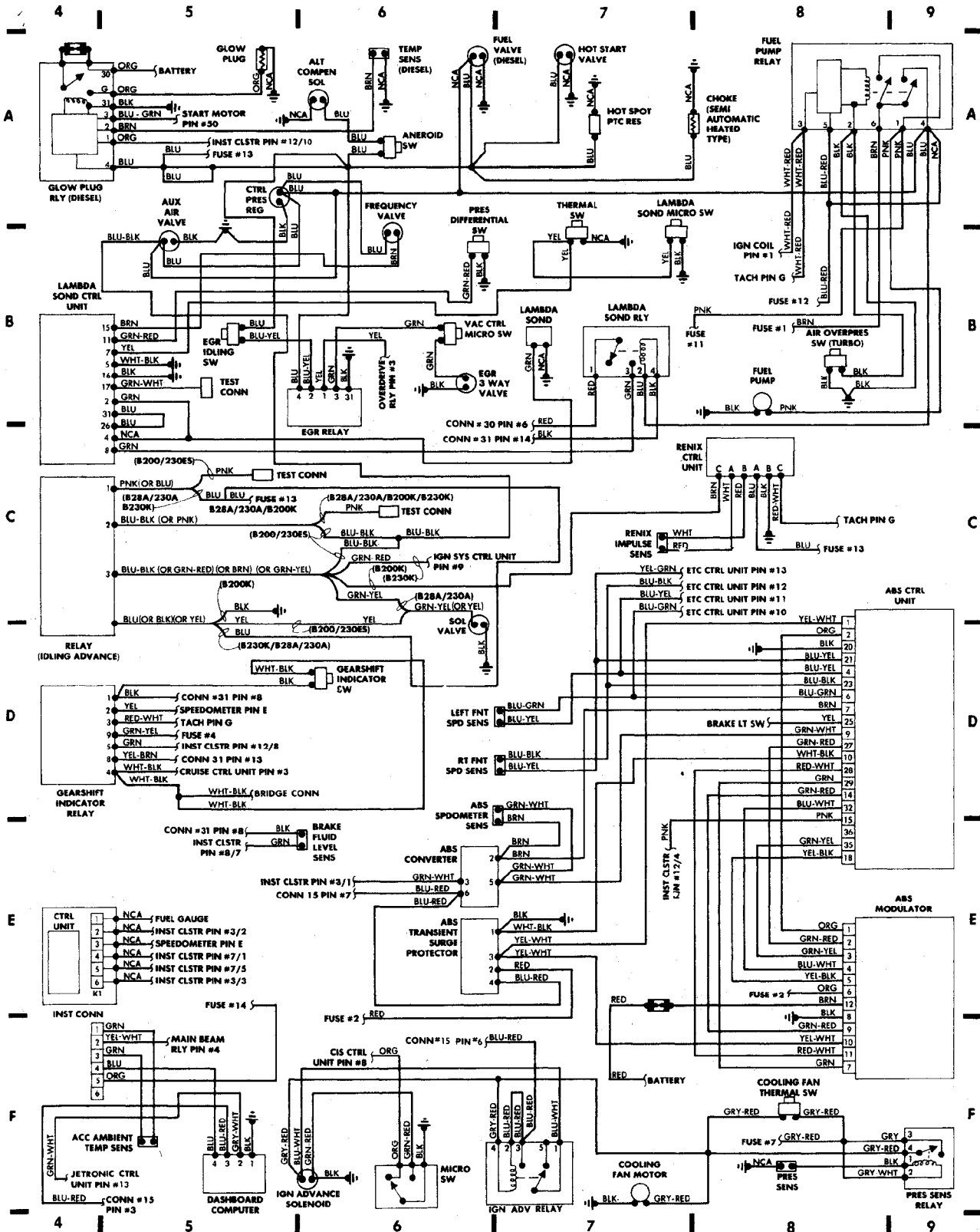
WIRING DIAGRAMS

Fig. 2: Engine Compartment (Cont.)

1985 Volvo 740

For x

Copyright © 1998 Mitchell Repair Information Company, LLC
Friday, July 23, 2004 07:26PM



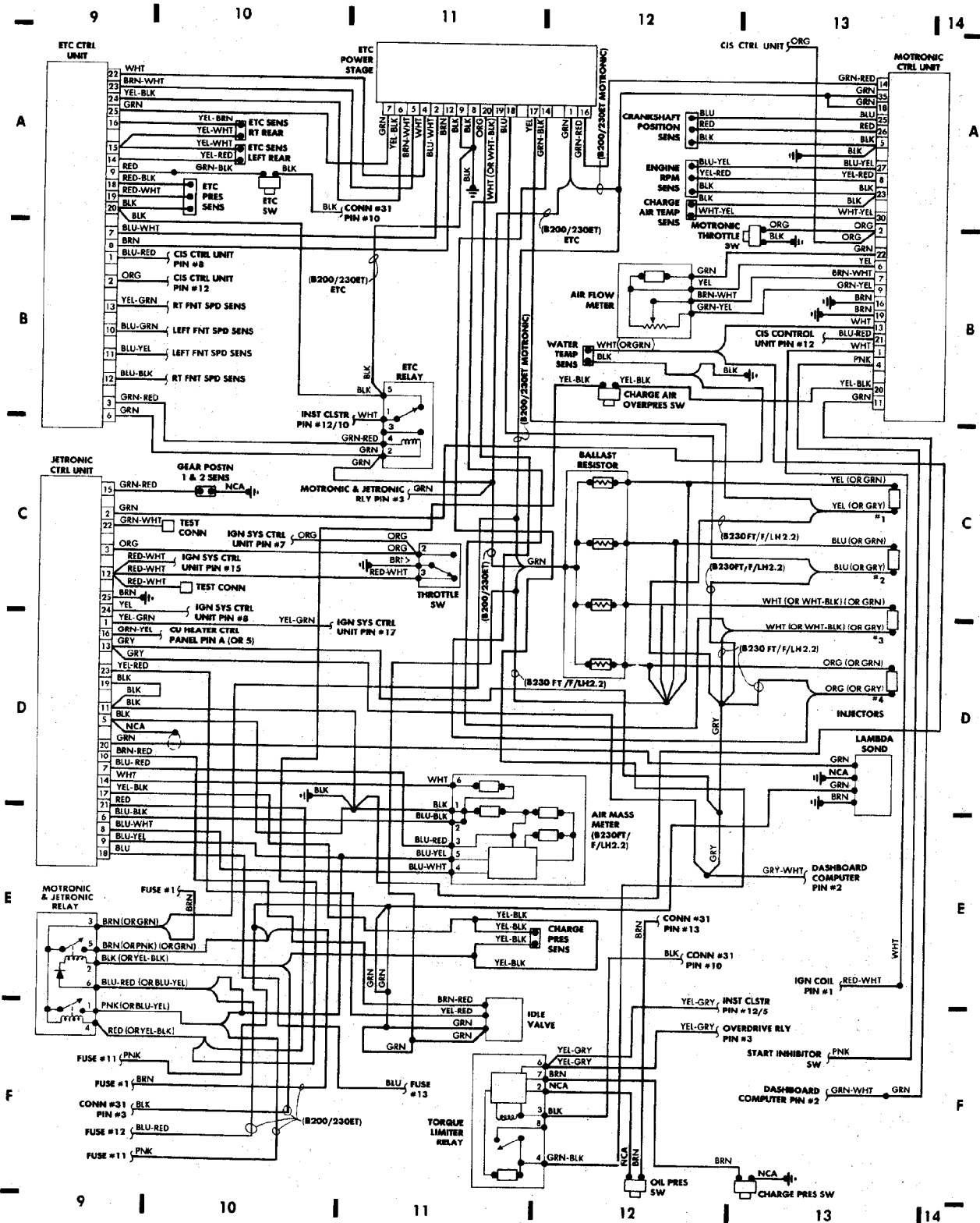
WIRING DIAGRAMS

Fig. 3: Engine Compartment (Cont.)

1985 Volvo 740

For x

Copyright © 1998 Mitchell Repair Information Company, LLC
Friday, July 23, 2004 07:26PM



WIRING DIAGRAMS

Fig. 4: Fuse Block

1985 Volvo 740

For x

Copyright © 1998 Mitchell Repair Information Company, LLC

Friday, July 23, 2004 07:26PM

