

SYSTEM WIRING DIAGRAMS

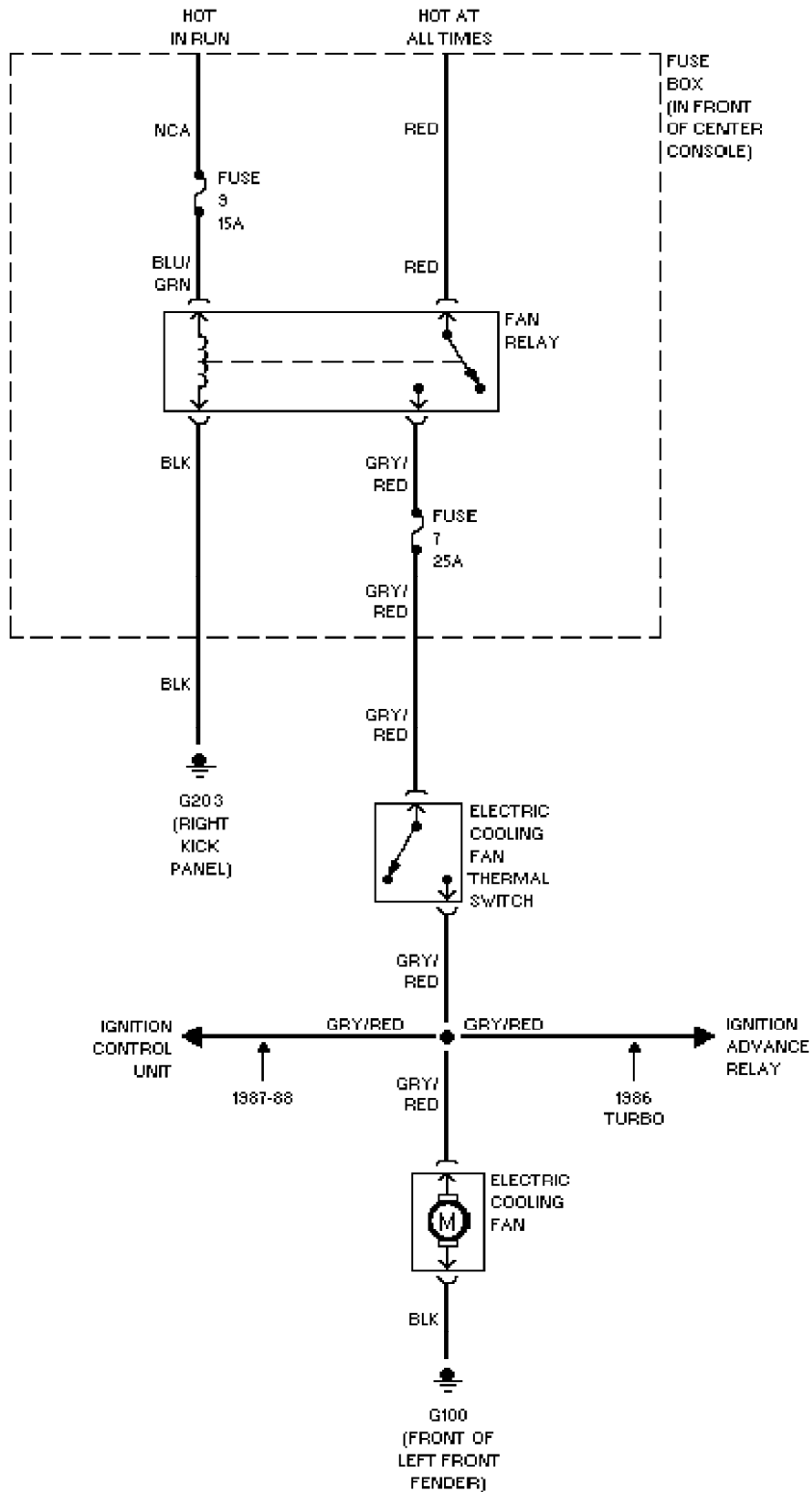
Cooling Fan Circuit

1987 Volvo 760

For x

Copyright © 1998 Mitchell Repair Information Company, LLC

Friday, July 23, 2004 08:31PM



SYSTEM WIRING DIAGRAMS

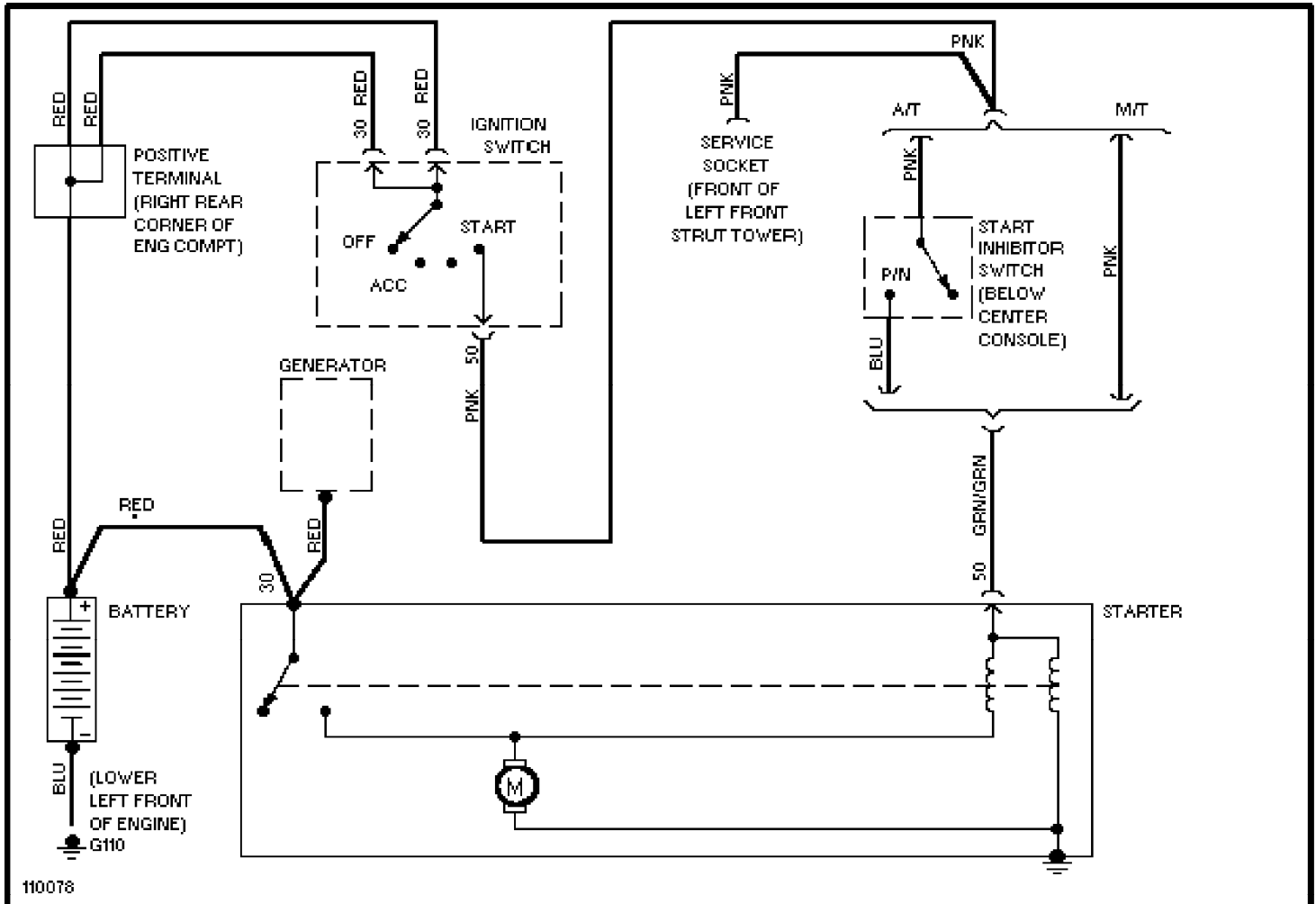
Starting Circuit

1987 Volvo 760

For x

Copyright © 1998 Mitchell Repair Information Company, LLC

Friday, July 23, 2004 08:33PM



SYSTEM WIRING DIAGRAMS

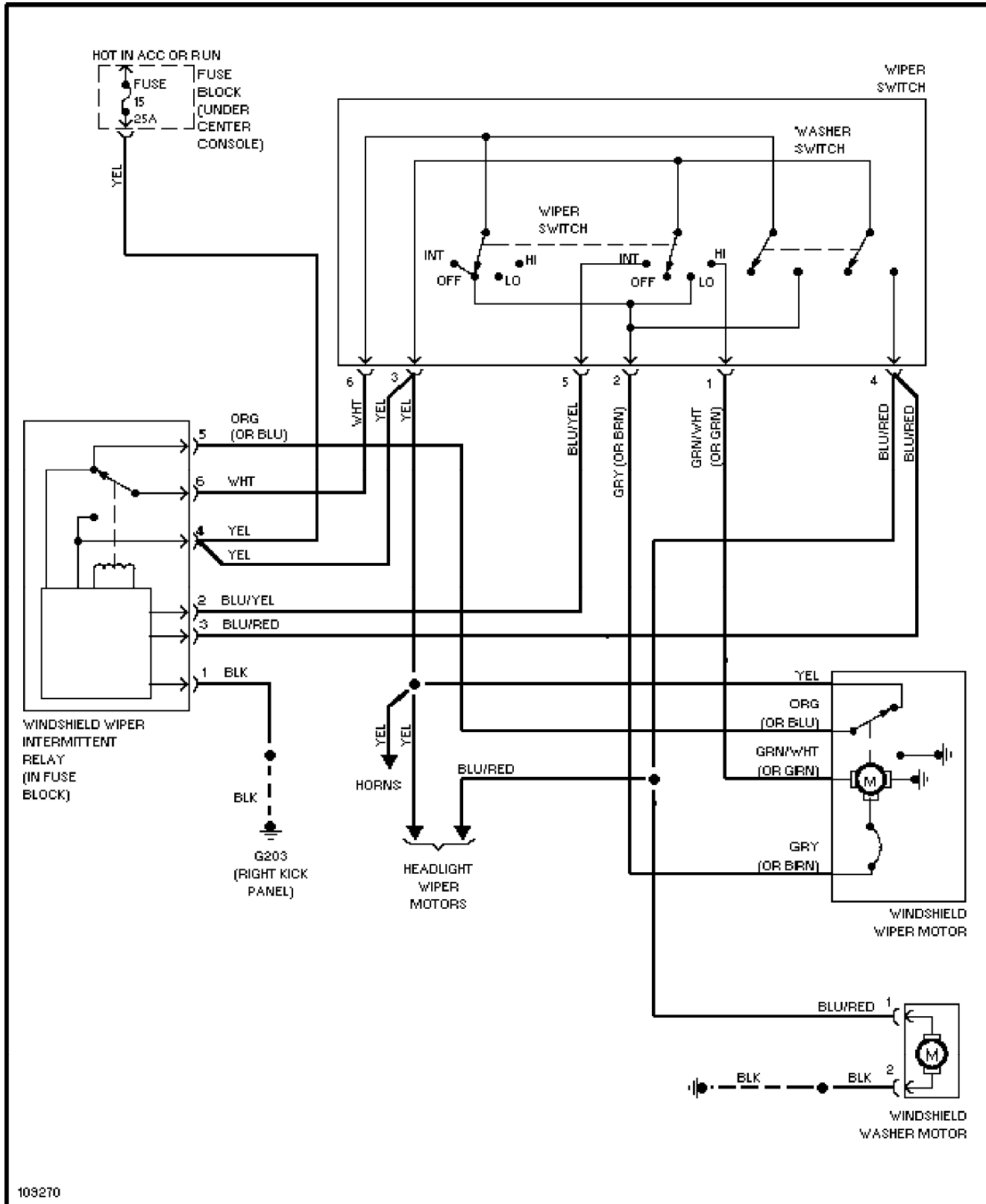
Front Wiper/Washer Circuit

1987 Volvo 760

For x

Copyright © 1998 Mitchell Repair Information Company, LLC

Friday, July 23, 2004 08:33PM



SYSTEM WIRING DIAGRAMS

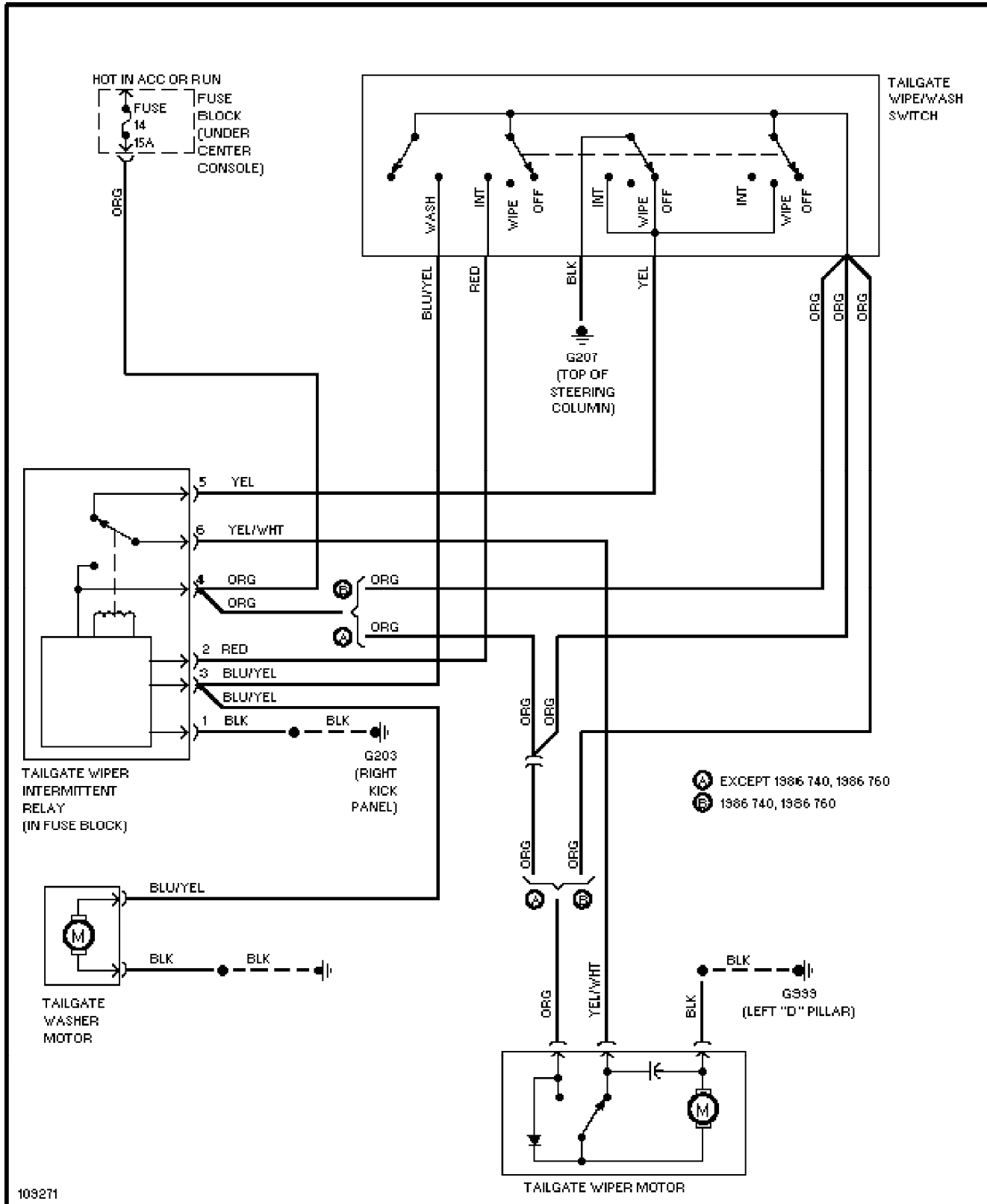
Rear Wiper/Washer Circuit

1987 Volvo 760

For x

Copyright © 1998 Mitchell Repair Information Company, LLC

Friday, July 23, 2004 08:33PM



SYSTEM WIRING DIAGRAMS

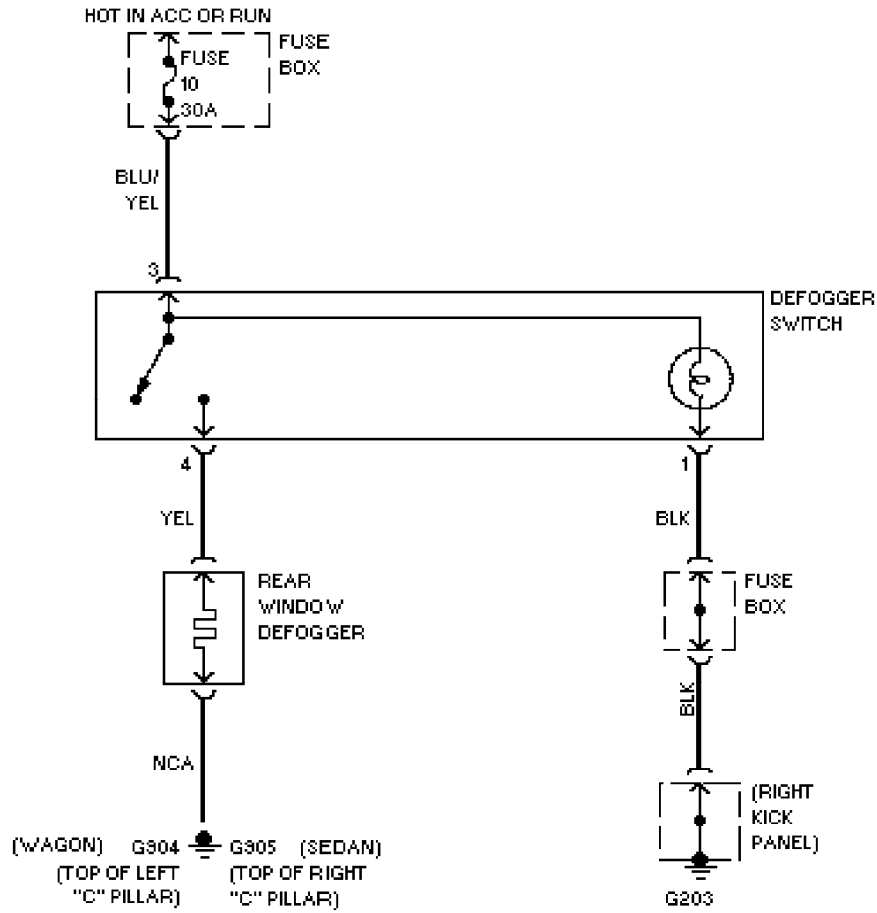
Defogger Circuit, W/O Heated Mirrors

1987 Volvo 760

For x

Copyright © 1998 Mitchell Repair Information Company, LLC

Friday, July 23, 2004 08:31PM



SYSTEM WIRING DIAGRAMS

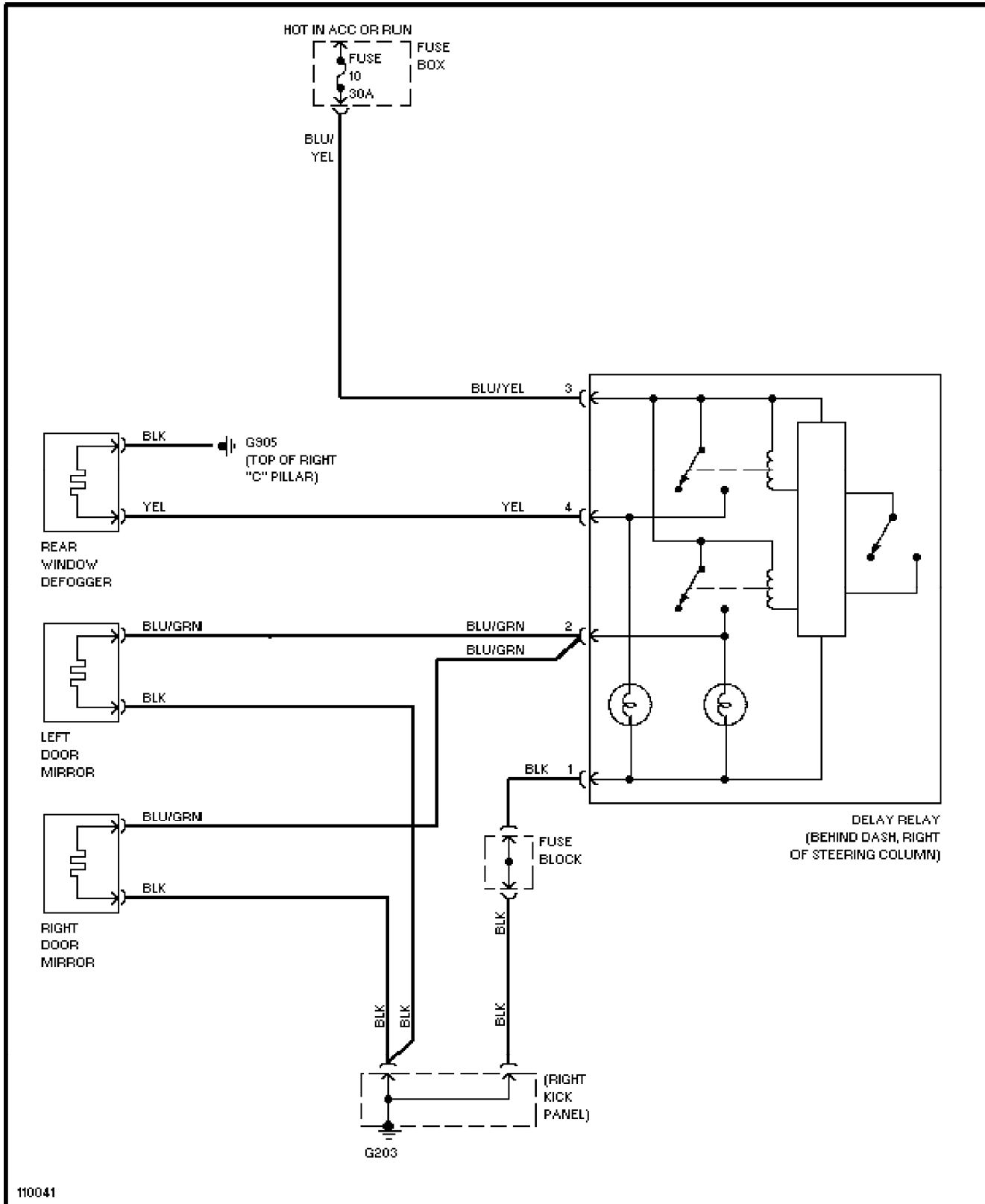
Rear Defogger & Heated Mirrors Circuit

1987 Volvo 760

For x

Copyright © 1998 Mitchell Repair Information Company, LLC

Friday, July 23, 2004 08:31PM



SYSTEM WIRING DIAGRAMS

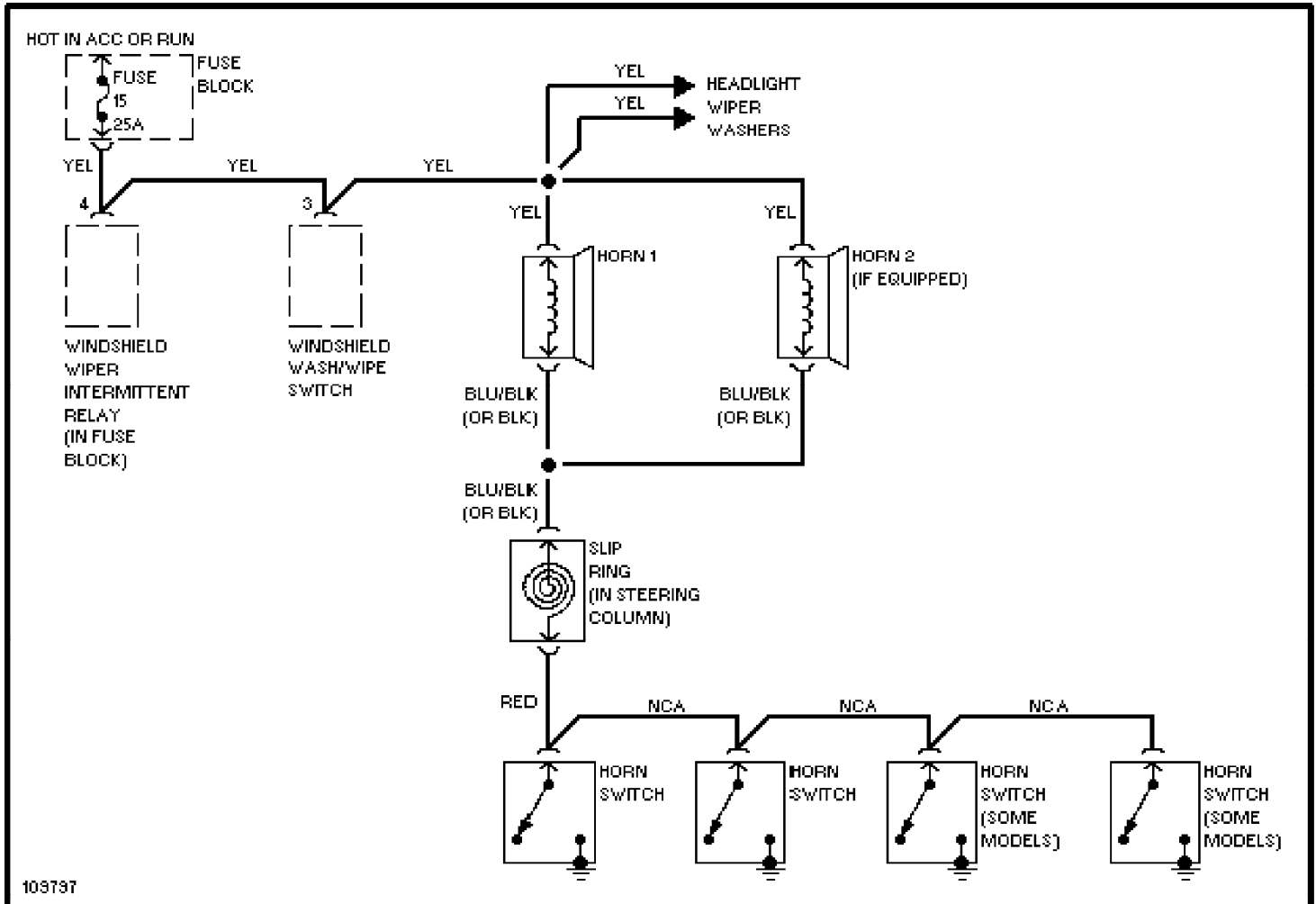
Horn Circuit

1987 Volvo 760

For x

Copyright © 1998 Mitchell Repair Information Company, LLC

Friday, July 23, 2004 08:31PM



SYSTEM WIRING DIAGRAMS

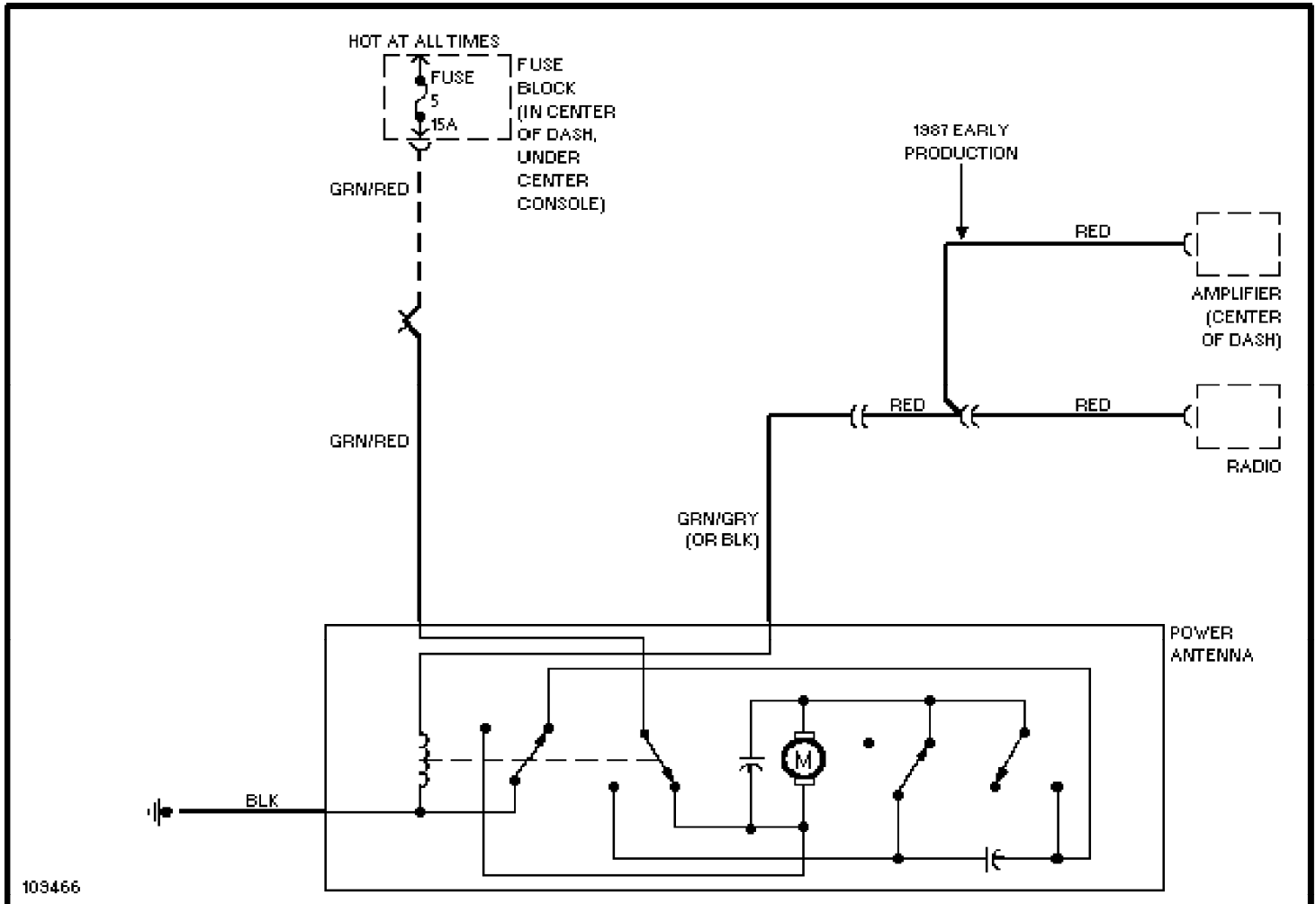
Power Antenna Circuit

1987 Volvo 760

For x

Copyright © 1998 Mitchell Repair Information Company, LLC

Friday, July 23, 2004 08:31PM



SYSTEM WIRING DIAGRAMS

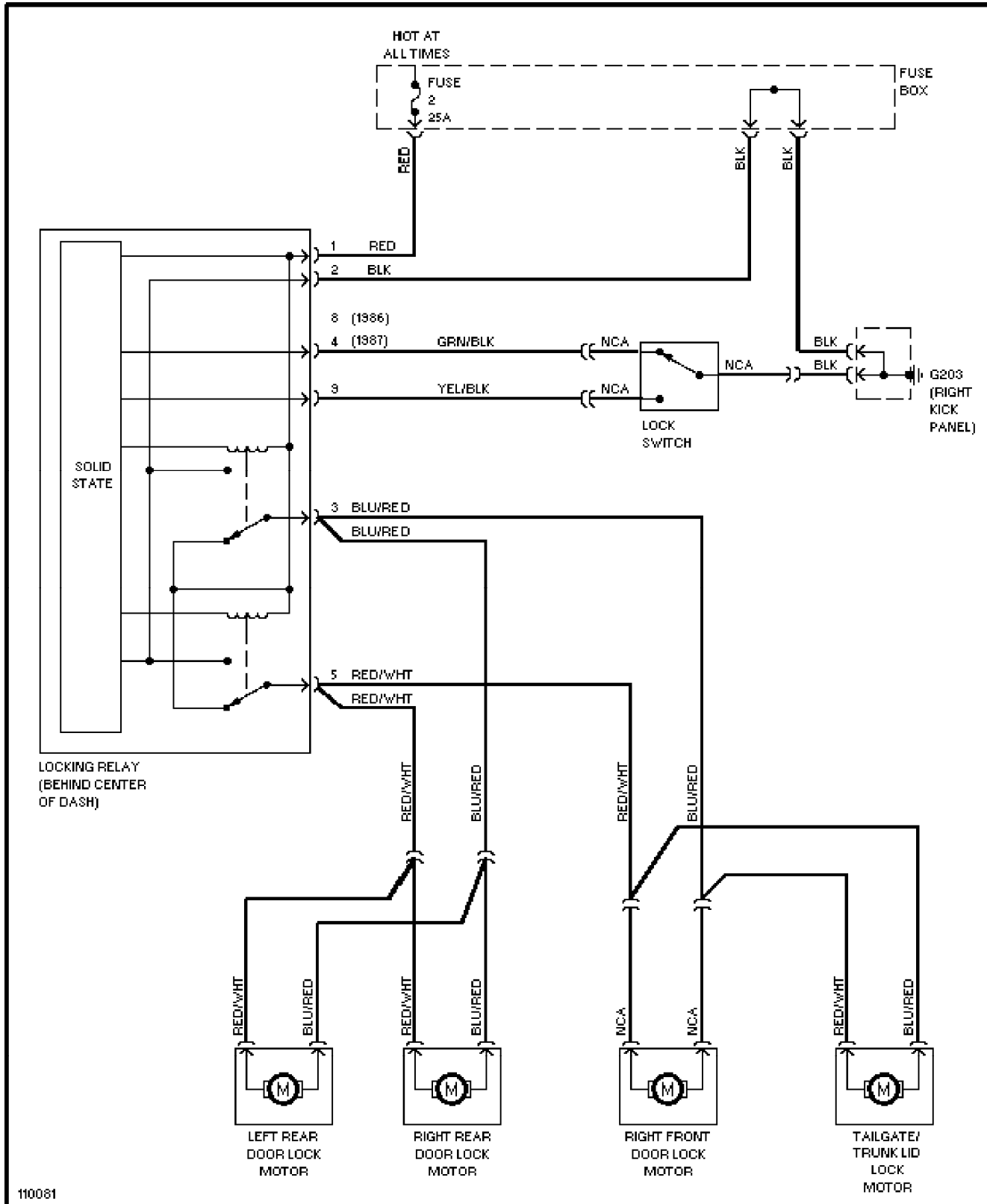
Power Door Lock Circuit

1987 Volvo 760

For x

Copyright © 1998 Mitchell Repair Information Company, LLC

Friday, July 23, 2004 08:32PM



SYSTEM WIRING DIAGRAMS

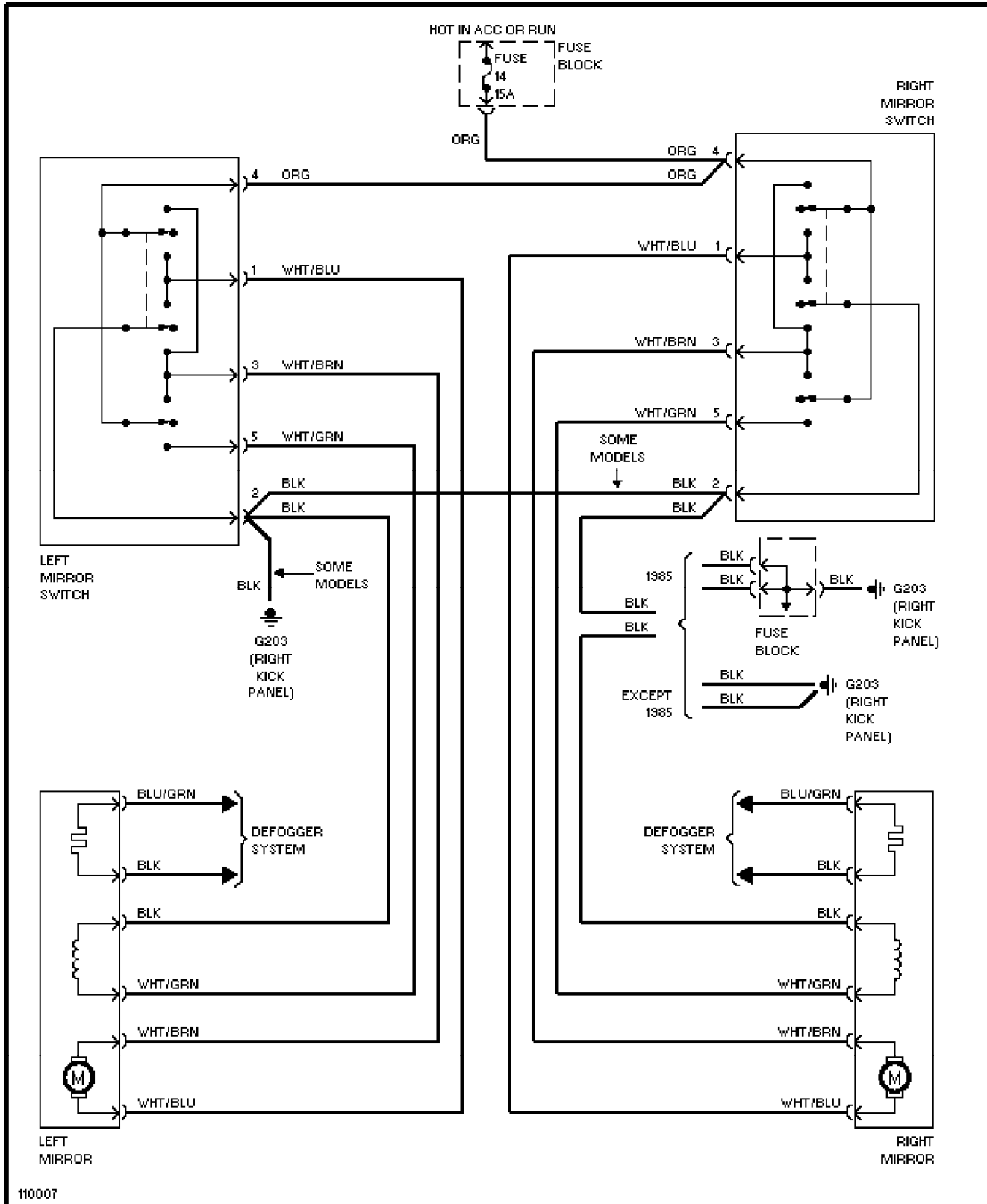
Power Mirror Circuit

1987 Volvo 760

For x

Copyright © 1998 Mitchell Repair Information Company, LLC

Friday, July 23, 2004 08:32PM

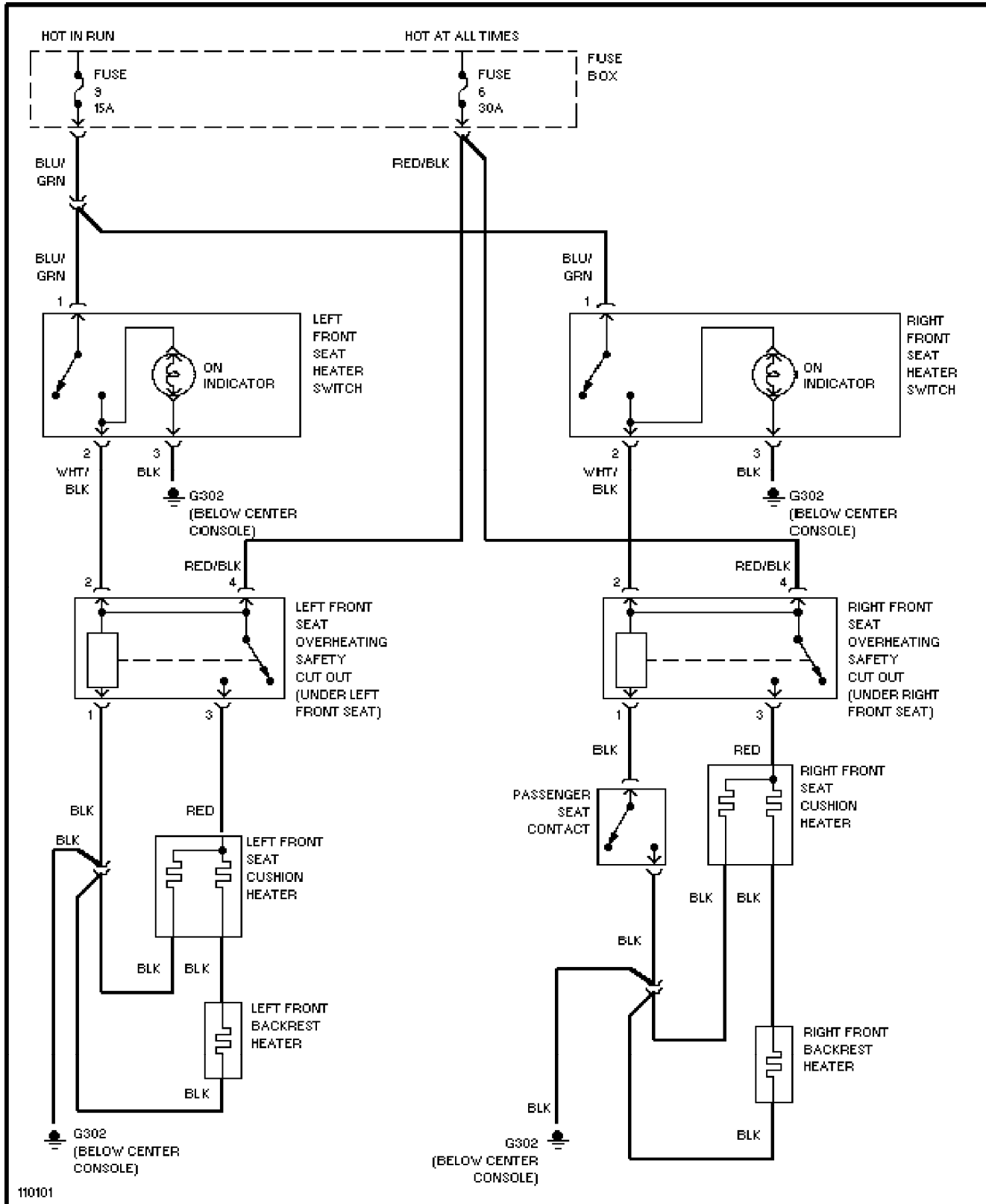


SYSTEM WIRING DIAGRAMS

Heated Seats Circuit, Dual Output

1987 Volvo 760

For x
 Copyright © 1998 Mitchell Repair Information Company, LLC
 Friday, July 23, 2004 08:32PM



SYSTEM WIRING DIAGRAMS

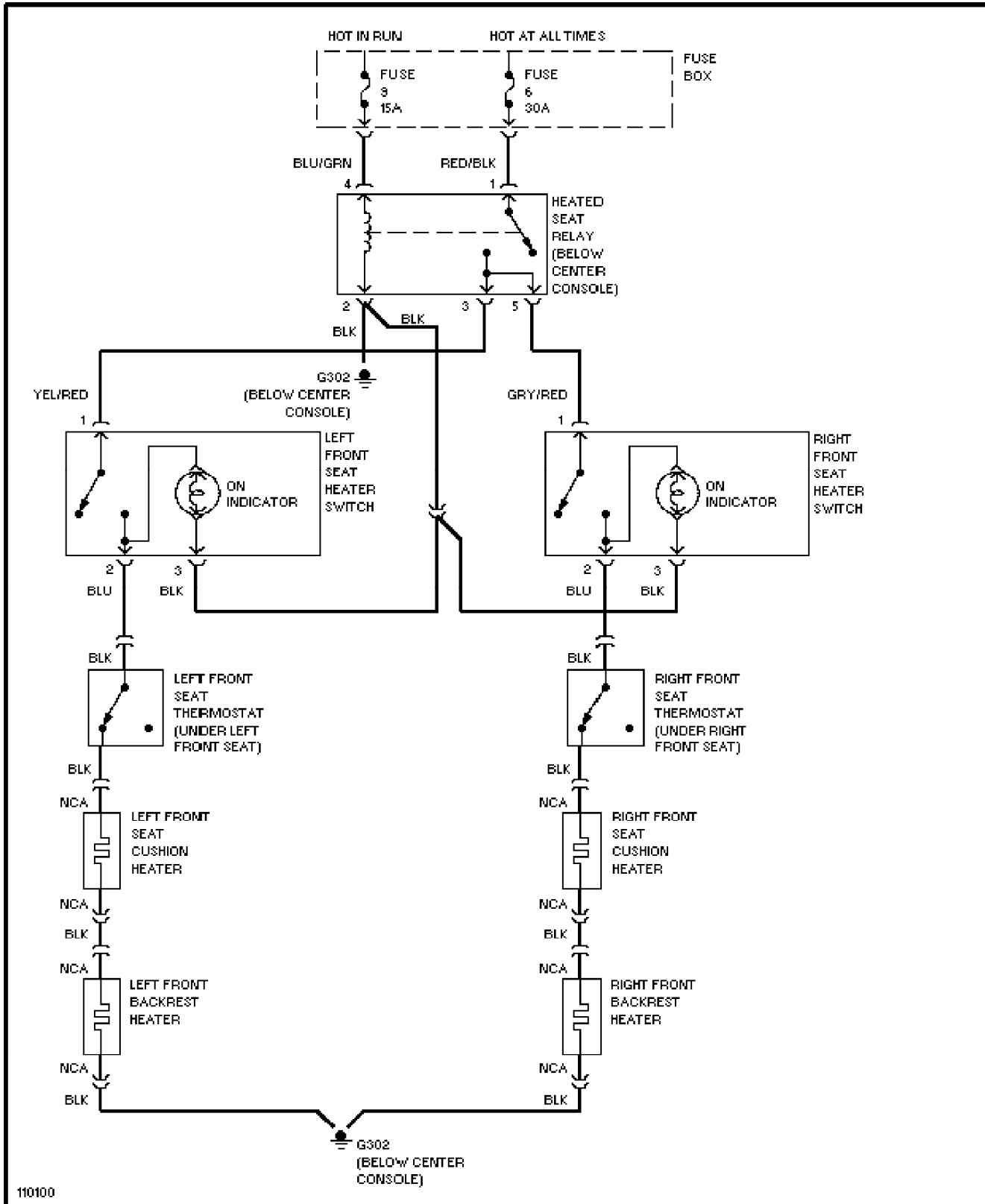
Heated Seats Circuit, Single Output

1987 Volvo 760

For x

Copyright © 1998 Mitchell Repair Information Company, LLC

Friday, July 23, 2004 08:32PM



SYSTEM WIRING DIAGRAMS

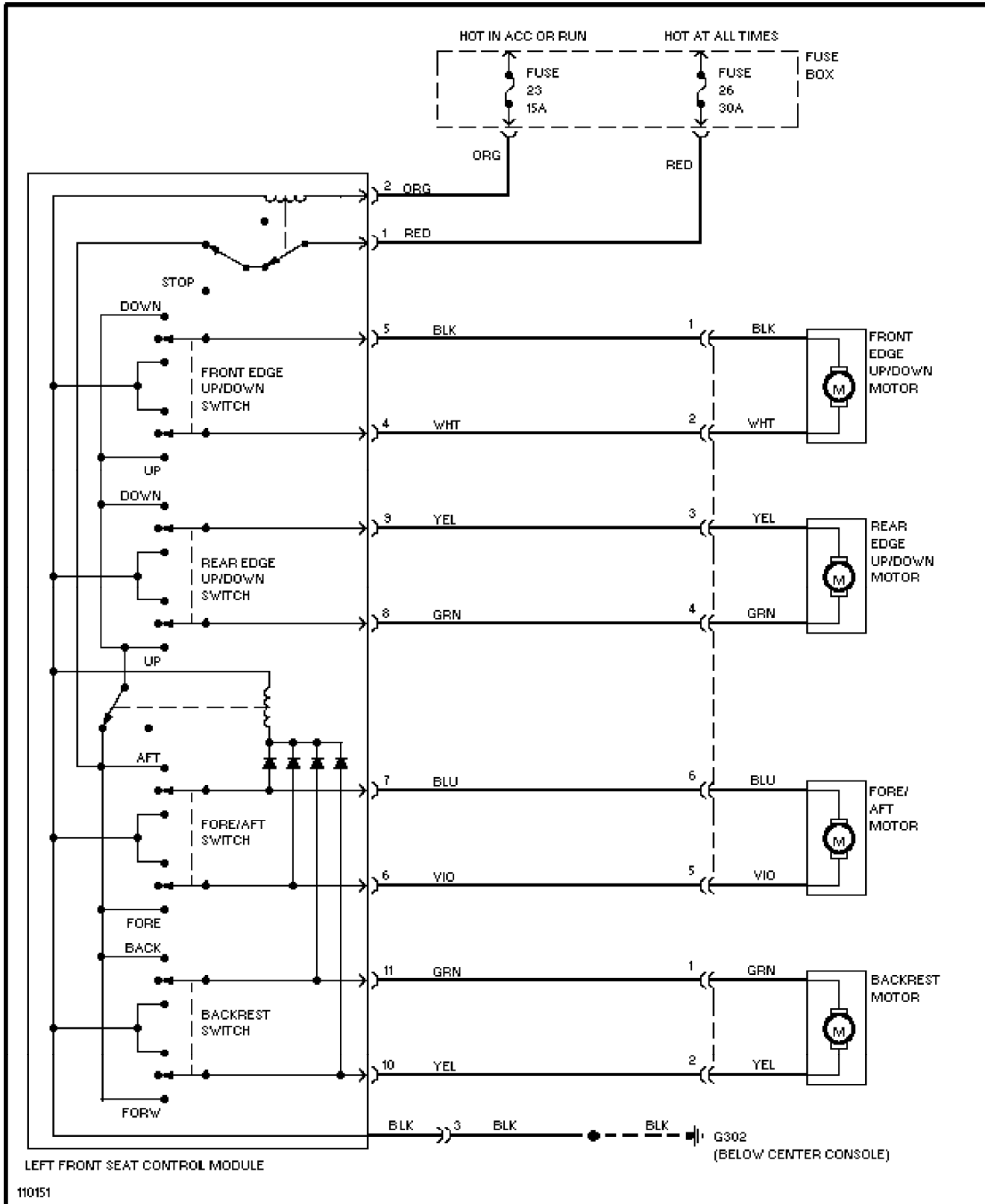
Power Seat Circuit

1987 Volvo 760

For x

Copyright © 1998 Mitchell Repair Information Company, LLC

Friday, July 23, 2004 08:32PM



SYSTEM WIRING DIAGRAMS

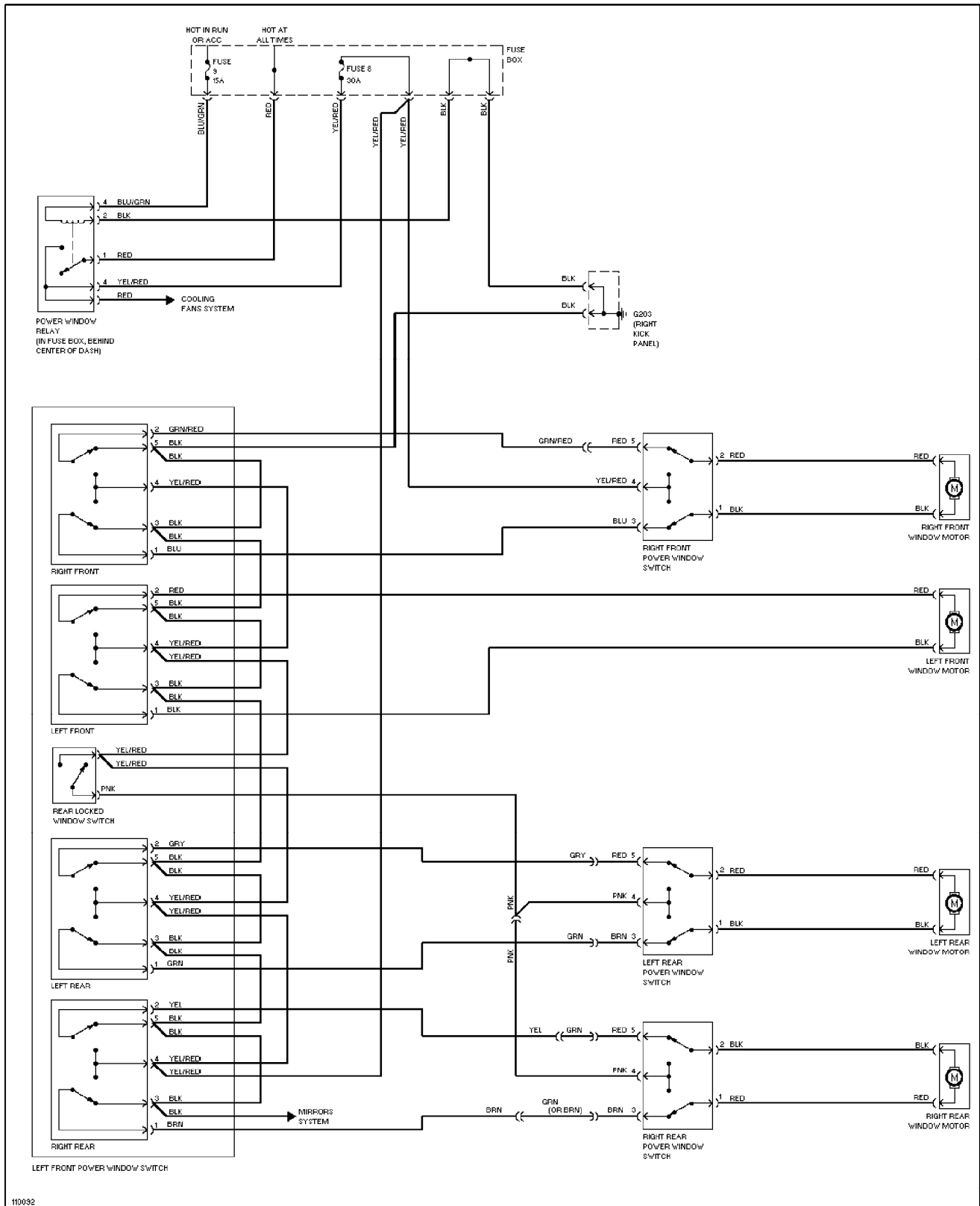
Power Window Circuit

1987 Volvo 760

For x

Copyright © 1998 Mitchell Repair Information Company, LLC

Friday, July 23, 2004 08:32PM



SYSTEM WIRING DIAGRAMS

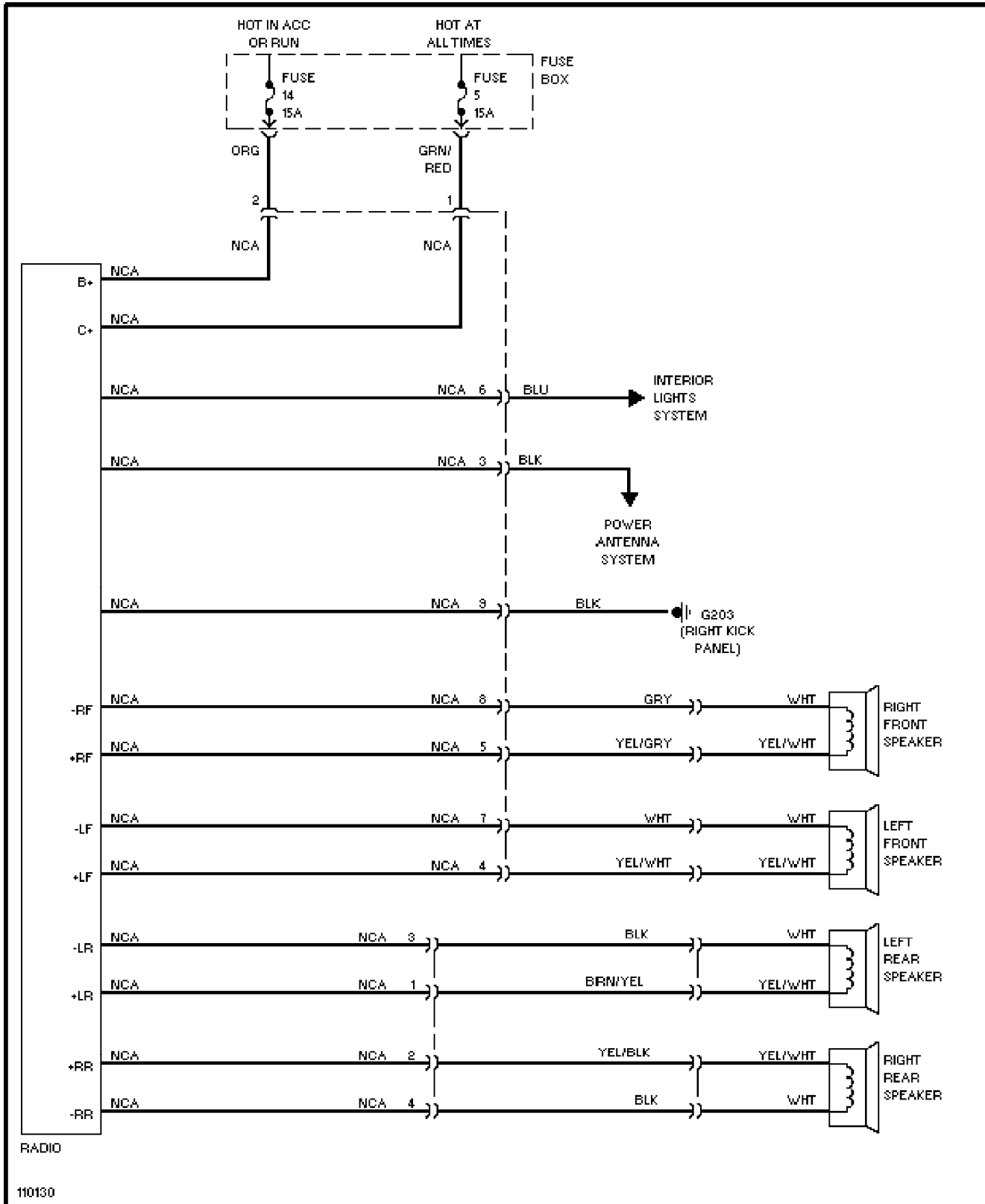
Radio Circuits, Except USA

1987 Volvo 760

For x

Copyright © 1998 Mitchell Repair Information Company, LLC

Friday, July 23, 2004 08:33PM



SYSTEM WIRING DIAGRAMS

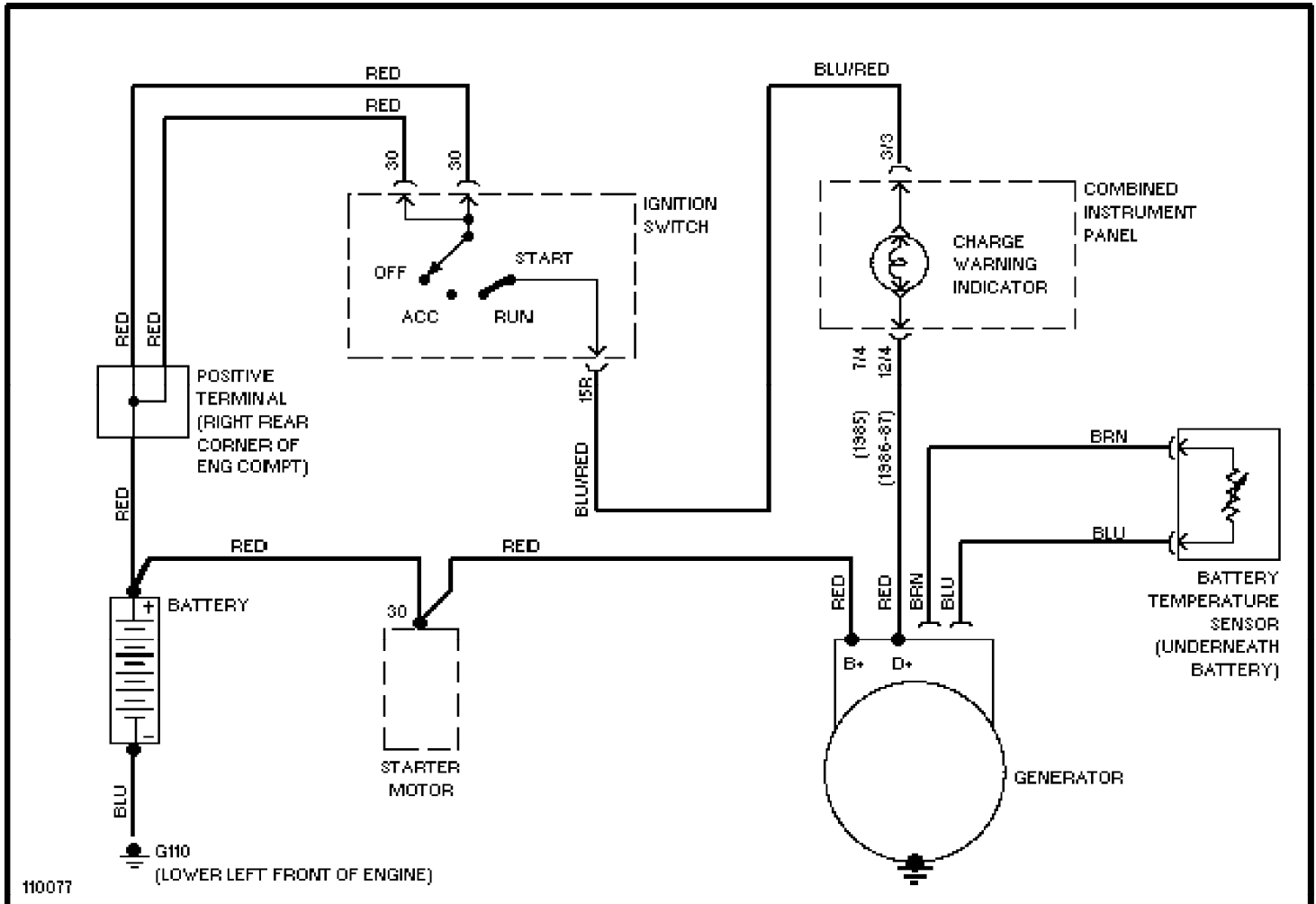
Charging Circuit

1987 Volvo 760

For x

Copyright © 1998 Mitchell Repair Information Company, LLC

Friday, July 23, 2004 08:33PM



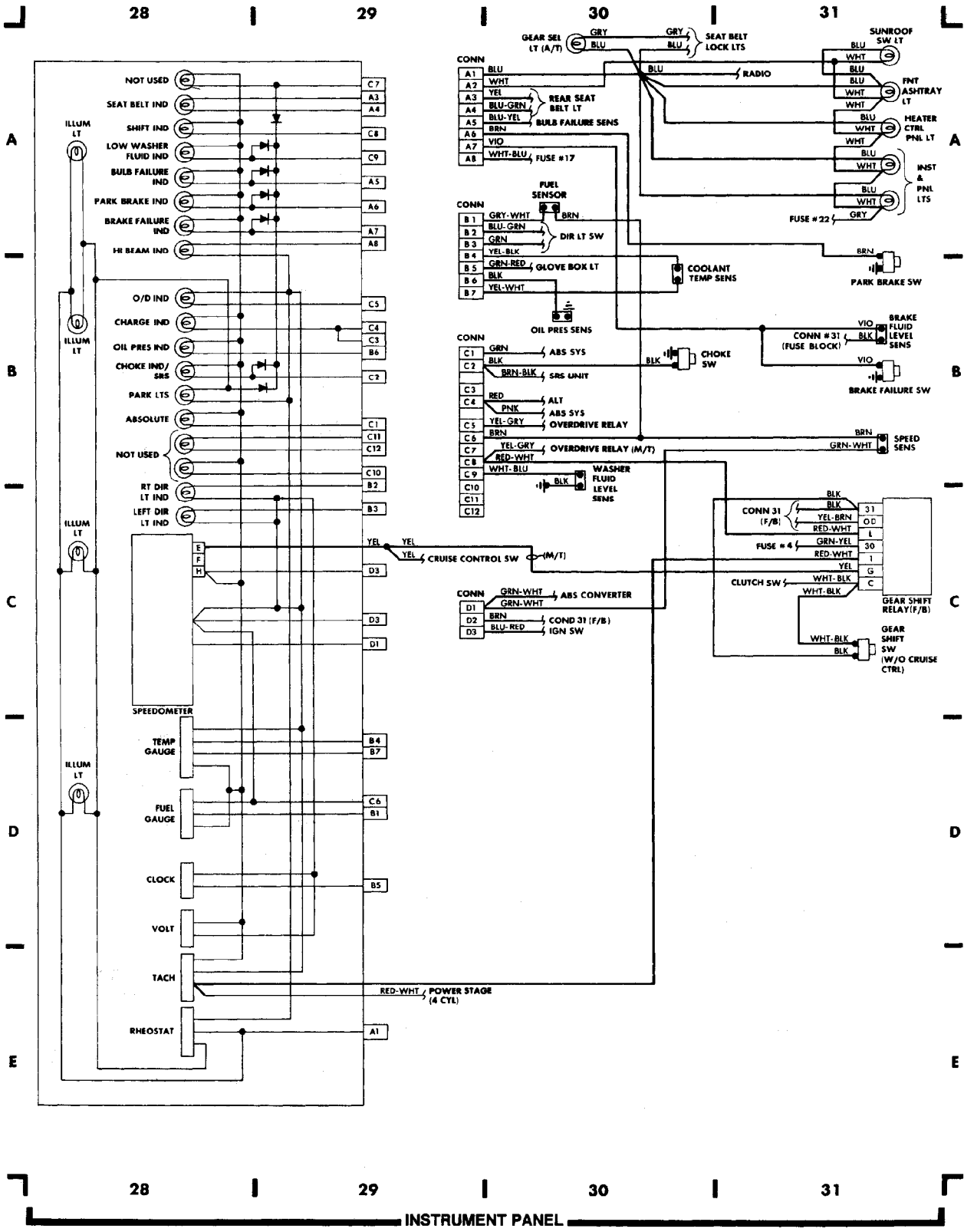
WIRING DIAGRAMS

Fig. 8: Instrument Panel (Grids 28-31)

1987 Volvo 760

For x

Copyright © 1998 Mitchell Repair Information Company, LLC
Friday, July 23, 2004 08:37PM



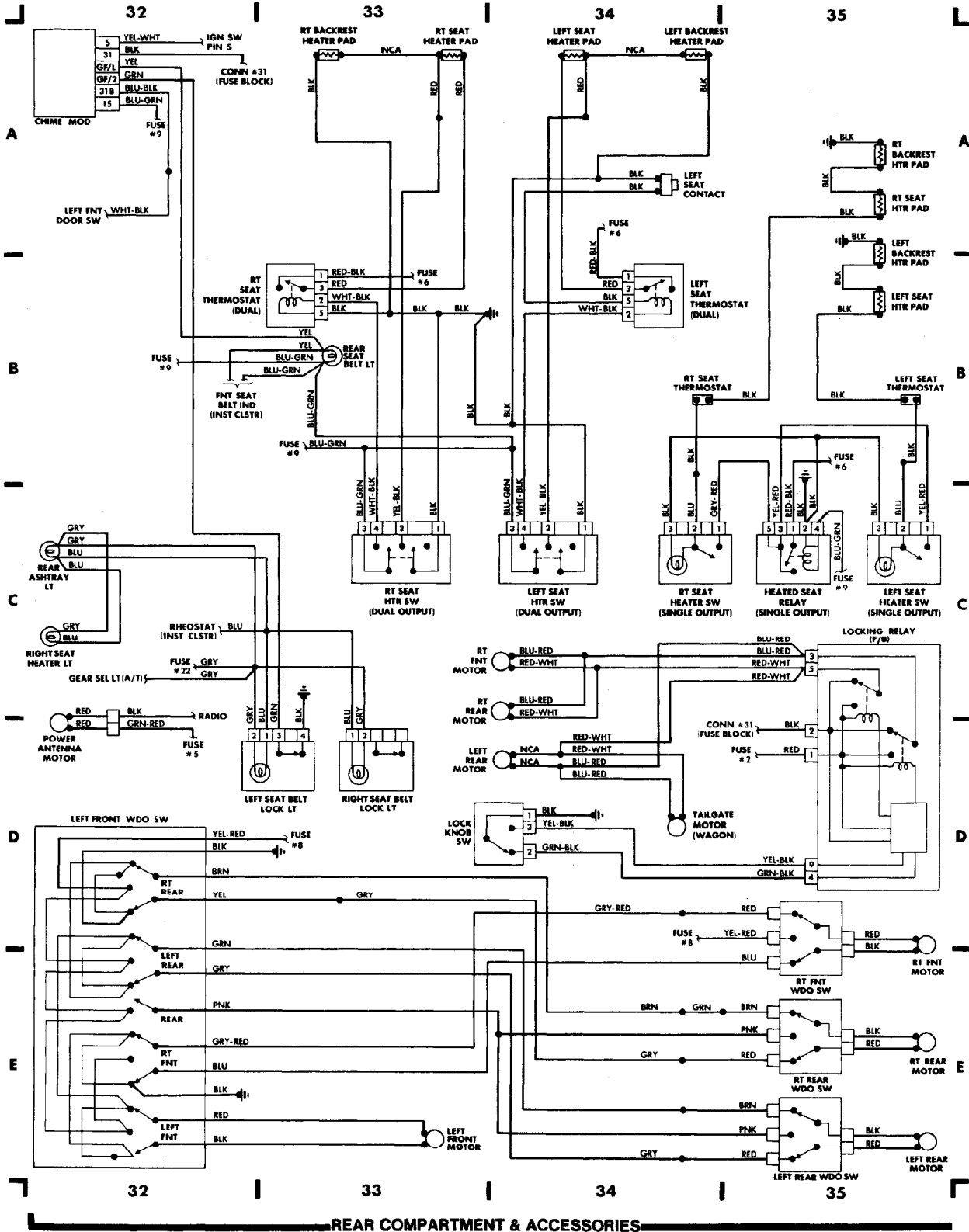
WIRING DIAGRAMS
Fig. 9: Rear Compartment & Accessories (Grids 32-35)

1987 Volvo 760

For x

Copyright © 1998 Mitchell Repair Information Company, LLC

Friday, July 23, 2004 08:37PM



WIRING DIAGRAMS

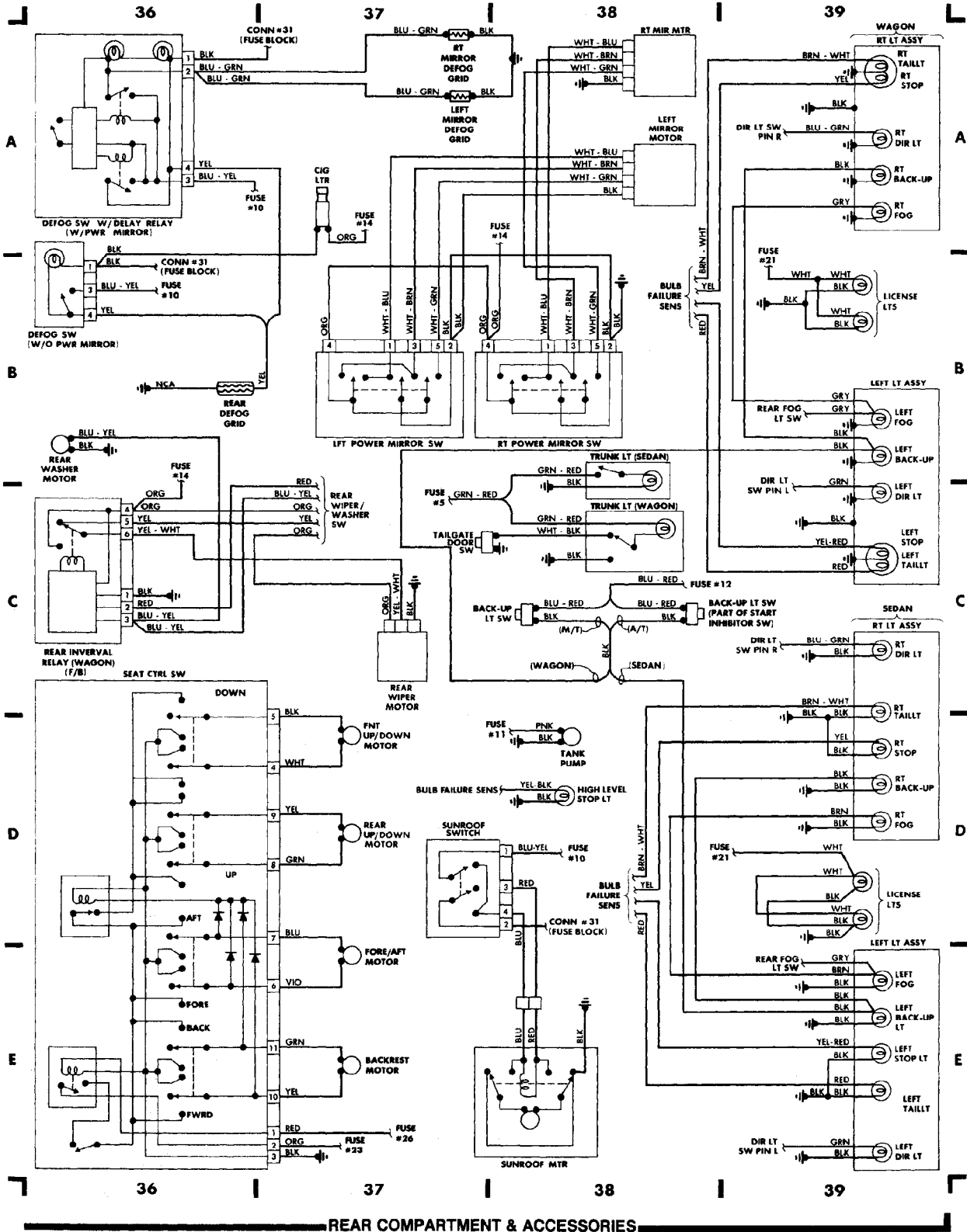
Fig. 10: Rear Compartment & Accessories (Cont.) (Grids 36-39)

1987 Volvo 760

For x

Copyright © 1998 Mitchell Repair Information Company, LLC

Friday, July 23, 2004 08:37PM



REAR COMPARTMENT & ACCESSORIES

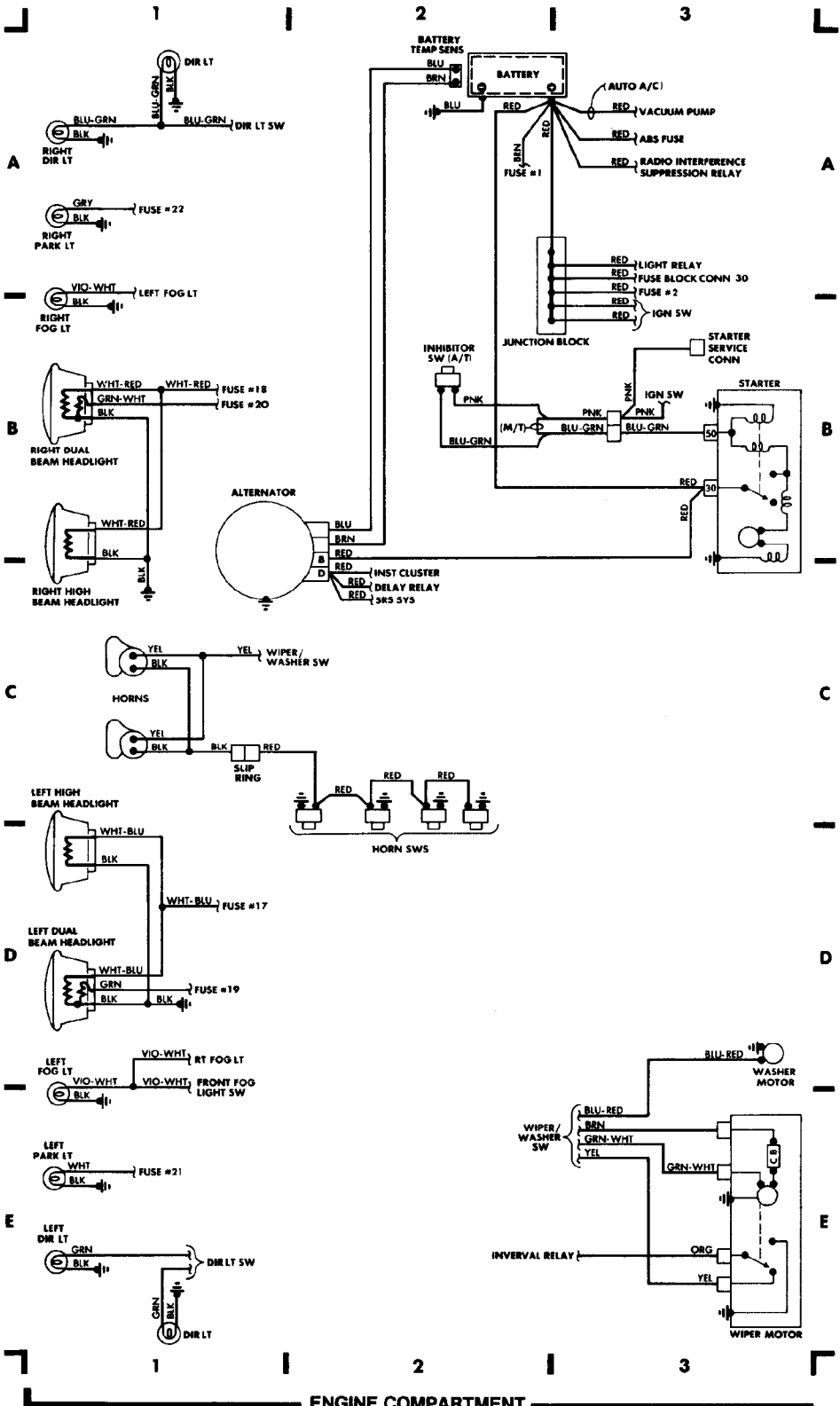
WIRING DIAGRAMS

Fig. 1: Engine Compartment (Grids 1-3)

1987 Volvo 760
For x
Copyright © 1998 Mitchell Repair Information Company, LLC
Friday, July 23, 2004 08:36PM

COMPONENT LOCATOR:

A/C PRES SENSOR (ACC)	D 18
A/C PRES SENSOR (STD)	C 16
A/C SW CONTROL (ACC)	D-E 16
A/C SW CONTROL (STD)	C 16
ABS SYSTEM	A-C 24-27
ALTERNATOR	B 1
BATTERY	A 2
BLOWER RELAY (ACC)	E 19
BRAKE FLUID LEVEL SENSORS	B 31
BULB FAILURE SENS	E 20
CHIME MODULE	A 32
CIG LTR	A 37
COOLANT FAN MTR	B 17
COURTESY LT ASSY	C 20
CRUISE CTRL	D-E 26-27
DEFOG SW (W/O PWR MIRRORS)	B 36
DEFOG SW W/DELAY RLY (W/PWR MIRRORS)	A 36
DELAY RLY (ACC)	E 16
DELAY RLY (STD)	D 19
DIR LT SW	A-B 20
DOOR LTS	C-D 21
DOOR SWS	C-D 22
FLASHER RELAY	A 23
FOG LT RELAY	E 23
FRONT FOG LT SW	E 22
FUEL PUMP (4 CYL)	D 7
FUEL PUMP (V6)	B 10
FUEL PUMP RLY (4 CYL)	A 7
FUEL PUMP RLY (V6)	C 10
FUSE BLOCK	D-E 9-10, A-E 12-15
GEAR SEL LT (A/T)	A 30
GEAR SHIFT RELAY	C 31
GLOVE BOX LT	D 21
HEATER CONTROL (STD)	C 16
HEATED SEAT RELAY (SINGLE)	C 35
IGN COIL (4 CYL)	E 6
IGN COIL (V6)	E 11
IGN SWITCH	E 12
IGN SYS CTRL UNIT (4 CYL)	D 4
IGN SYS CTRL UNIT (V6)	A 10
INST & PANEL LTS	A 31
INST CLSTR	A-E 28-29
INTERVAL RELAY	C 23
JUNCTION BLOCK	A 3
LH JETRONIC CTRL MOD (4 CYL)	A 4
LH JETRONIC CTRL MOD (V6)	A 9
LEFT SEAT THERMOSTAT (DUAL)	B 34
LIGHT RELAY	B 23
LIGHT SWITCH	A-B 23
OVERDRIVE RELAY (A/T)	A 19
OVERDRIVE RELAY (M/T)	A 16
POWER MIRRORS	A-B 37-38
POWER STAGE (4 CYL)	E 7
PROGRAMMER (ACC)	E 19
RADIO INTER SUPP RLY (4 CYL)	C 7
RADIO INTER SUPP RLY (V6)	C 10
REAR FOG LT SW	E 22
REAR INTERVAL RLY (WAGON)	C 36
REAR SEAT BELT LT	B 33
REAR WIPER MTR	C 37
REAR WIPER/WSHR SW	D 23
RT SEAT THERMOSTAT (DUAL)	B 33
SRS SYS	D 24
SEAT BELT LOCK LTS	D 33
SEAT CTRL SW	D-E 36
SEAT HEATER SWS (DUAL)	C 33-34
SEAT HEATER SWITCHES (SINGLE)	C 34-35
STARTER	B 3
SUNROOF SWITCH	D 37
TANK PUMP	D 38
TRUNK LIGHT	C 38
VACUUM PUMP	E 18
VANITY MIRROR	D 22
WASHER MOTOR	D 3
WIPER MOTOR	D 3
WIPER/WASHER SWITCH	C 23

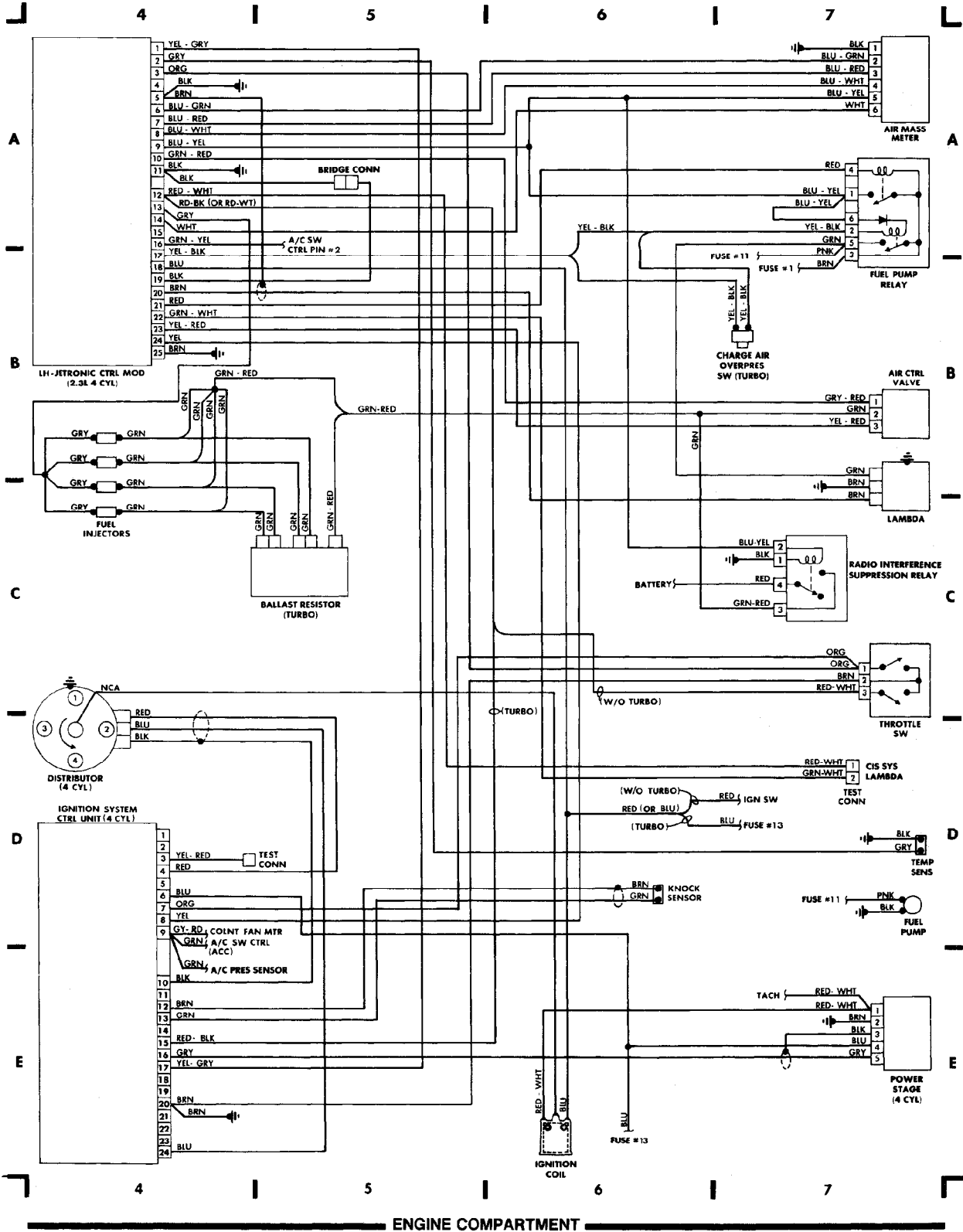


ENGINE COMPARTMENT

WIRING DIAGRAMS

Fig. 2: Engine Compartment (Cont.) (Grids 4-7)

1987 Volvo 760
For x
Copyright © 1998 Mitchell Repair Information Company, LLC
Friday, July 23, 2004 08:36PM



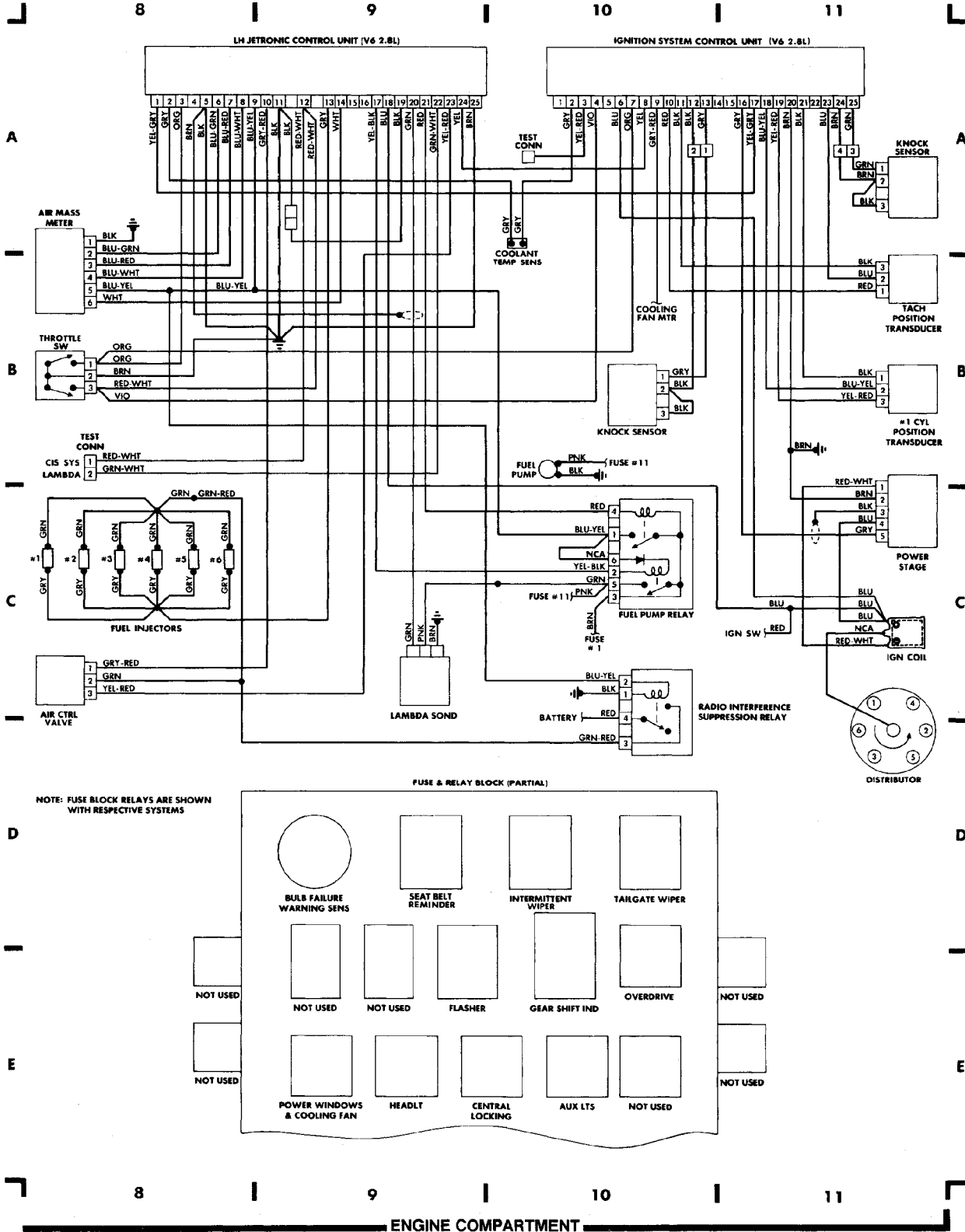
WIRING DIAGRAMS

Fig. 3: Engine Compartment (Cont.) (Grids 8-11)

1987 Volvo 760

For x

Copyright © 1998 Mitchell Repair Information Company, LLC
Friday, July 23, 2004 08:36PM



WIRING DIAGRAMS

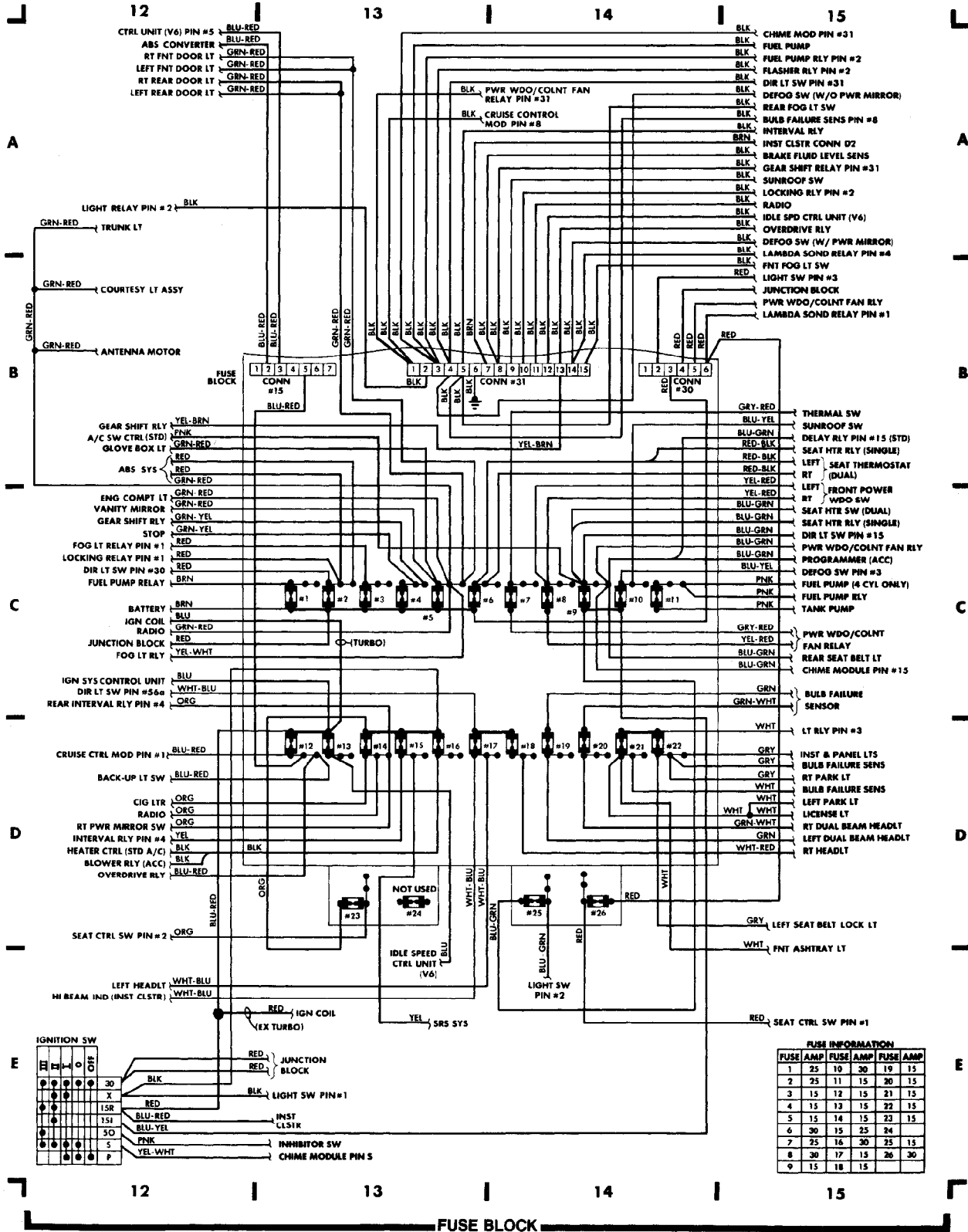
Fig. 4: Fuse Block (Grids 12-15)

1987 Volvo 760

For x

Copyright © 1998 Mitchell Repair Information Company, LLC

Friday, July 23, 2004 08:36PM



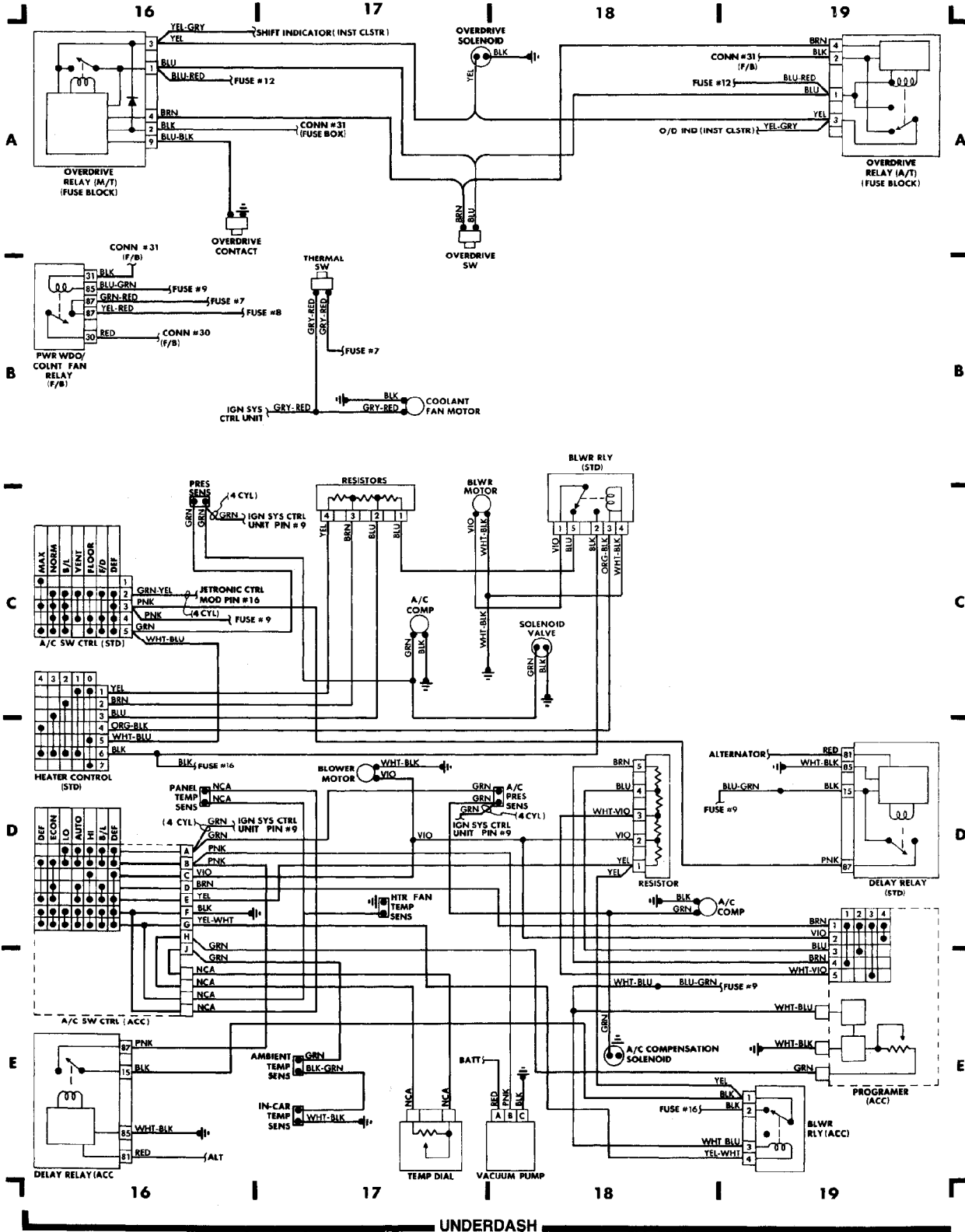
WIRING DIAGRAMS

Fig. 5: Underdash (Grids 16-19)

1987 Volvo 760

For x

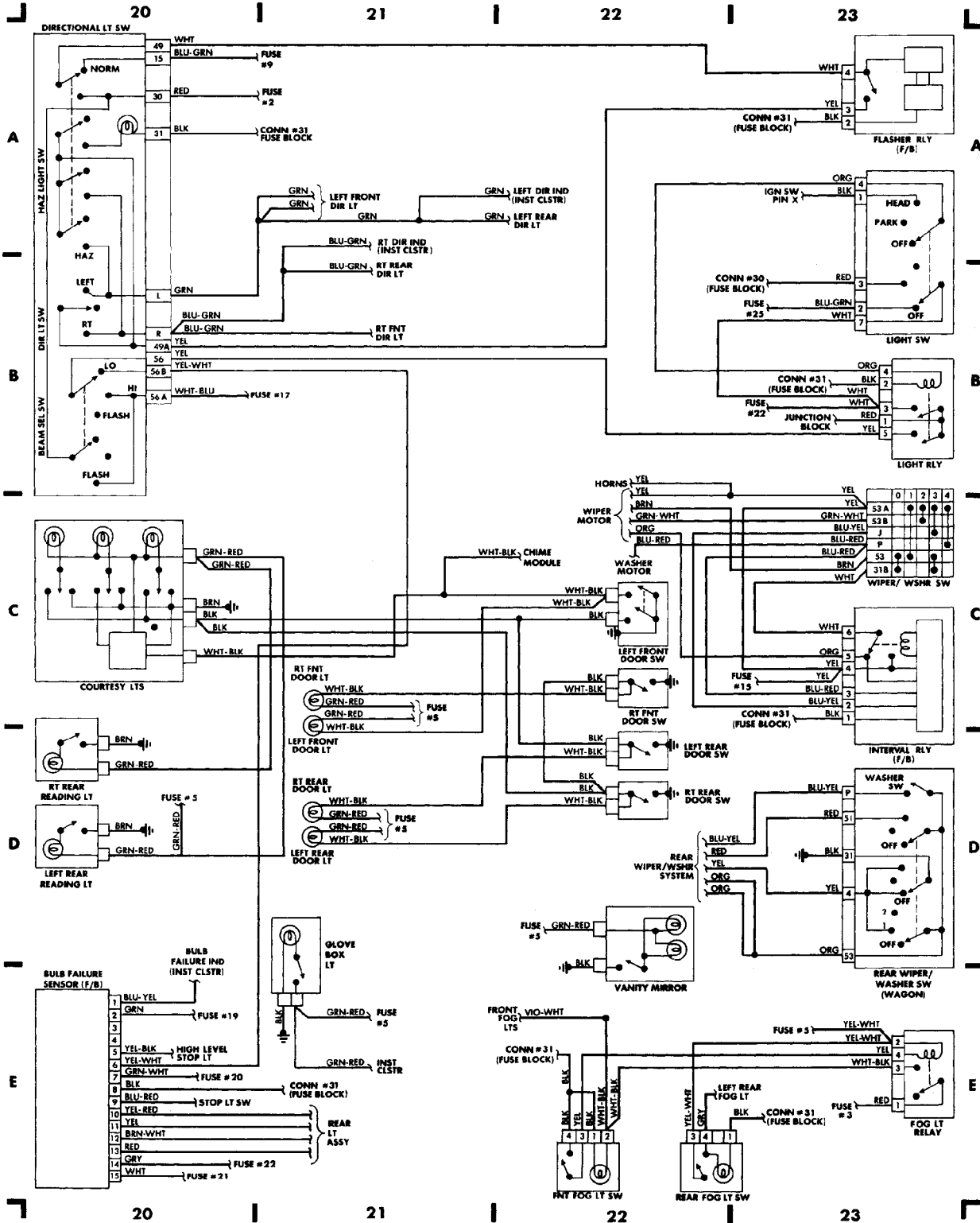
Copyright © 1998 Mitchell Repair Information Company, LLC
Friday, July 23, 2004 08:36PM



WIRING DIAGRAMS

Fig. 6: Underdash (Cont.) (Grids 20-23)

1987 Volvo 760
For x
Copyright © 1998 Mitchell Repair Information Company, LLC
Friday, July 23, 2004 08:36PM



WIRING DIAGRAMS

Fig. 7: Underdash (Cont.) (Grids 24-27)

1987 Volvo 760
For x
Copyright © 1998 Mitchell Repair Information Company, LLC
Friday, July 23, 2004 08:36PM

