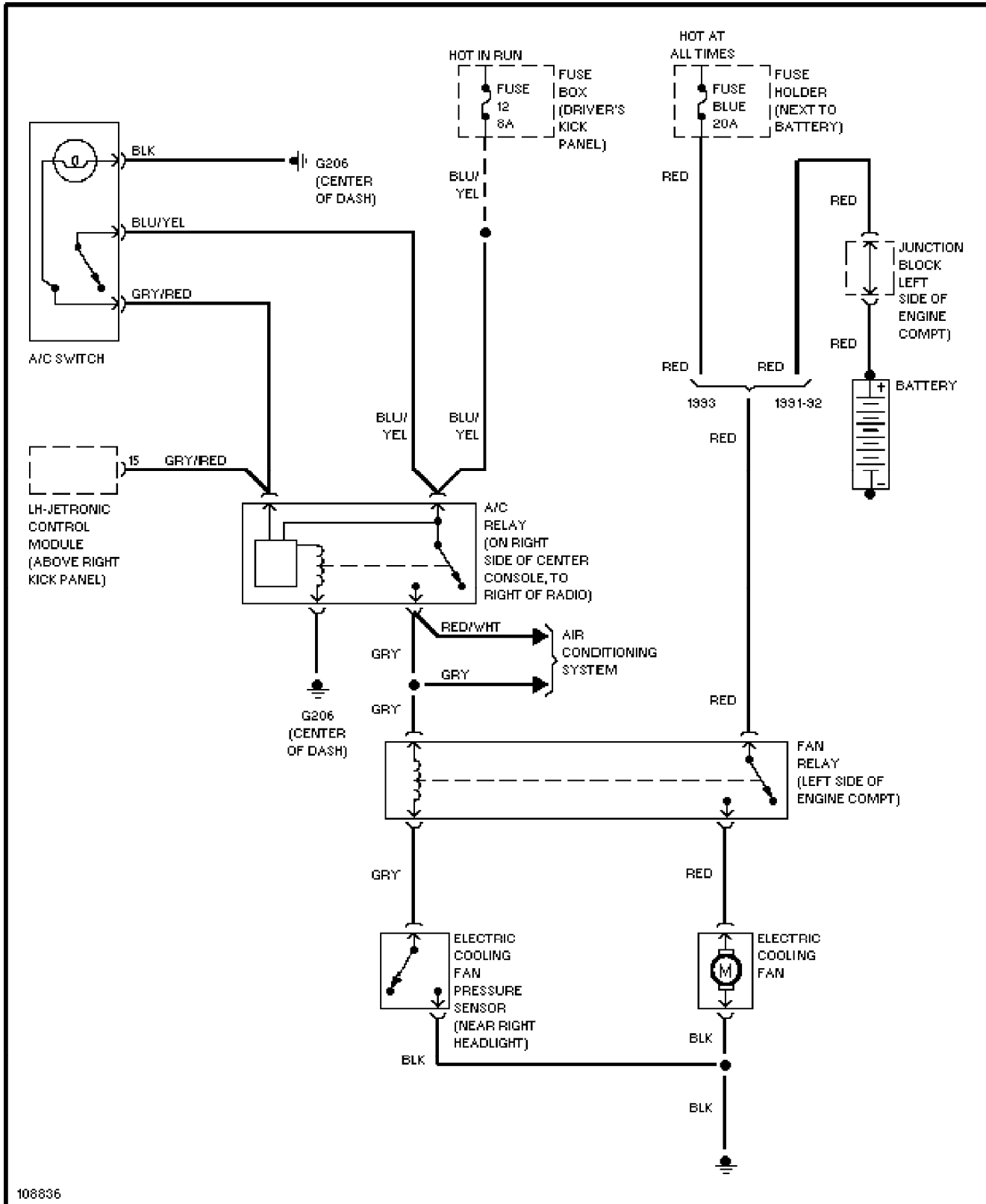


SYSTEM WIRING DIAGRAMS

Cooling Fan Circuit

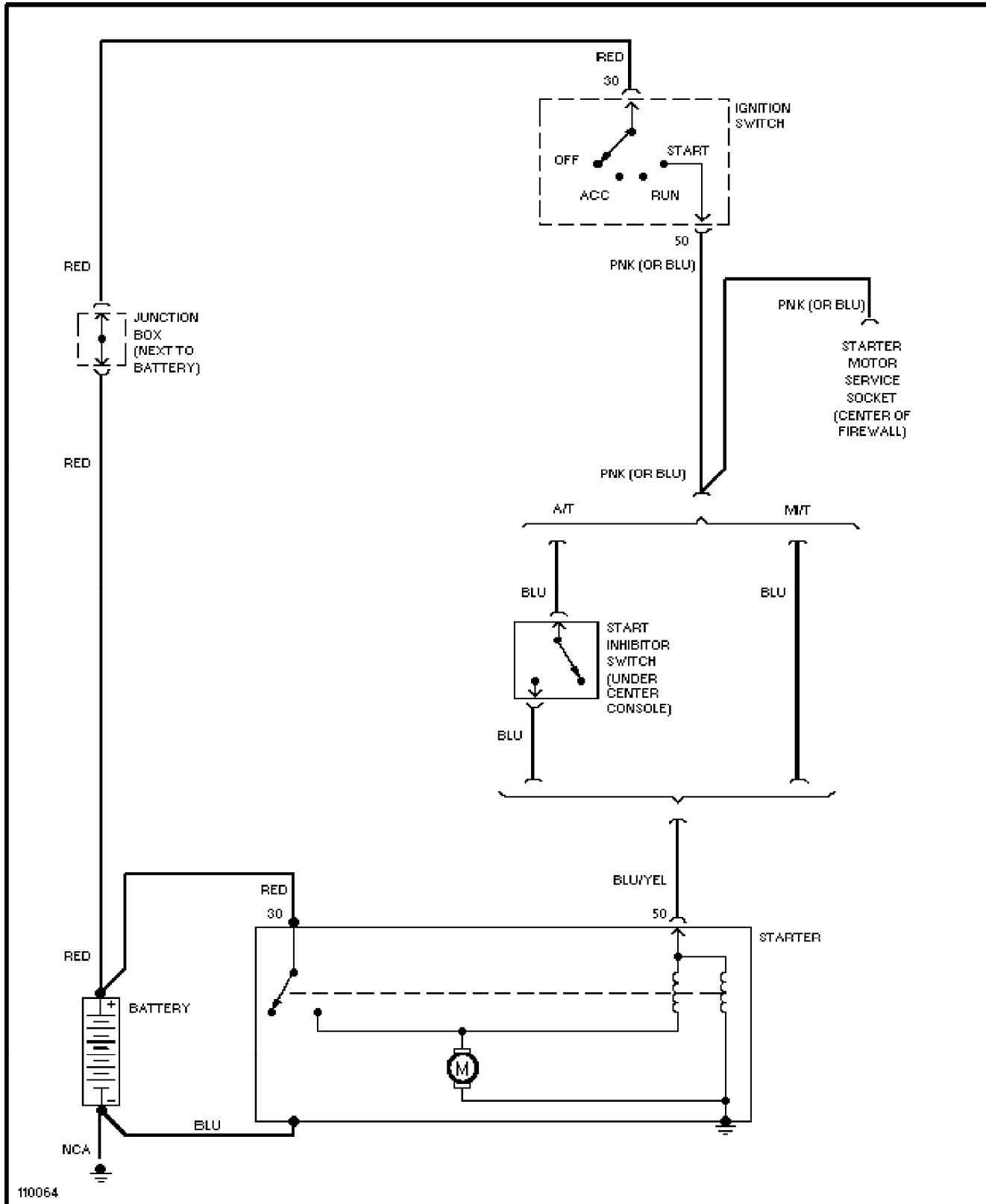
1991 Volvo 240



SYSTEM WIRING DIAGRAMS

Starting Circuit

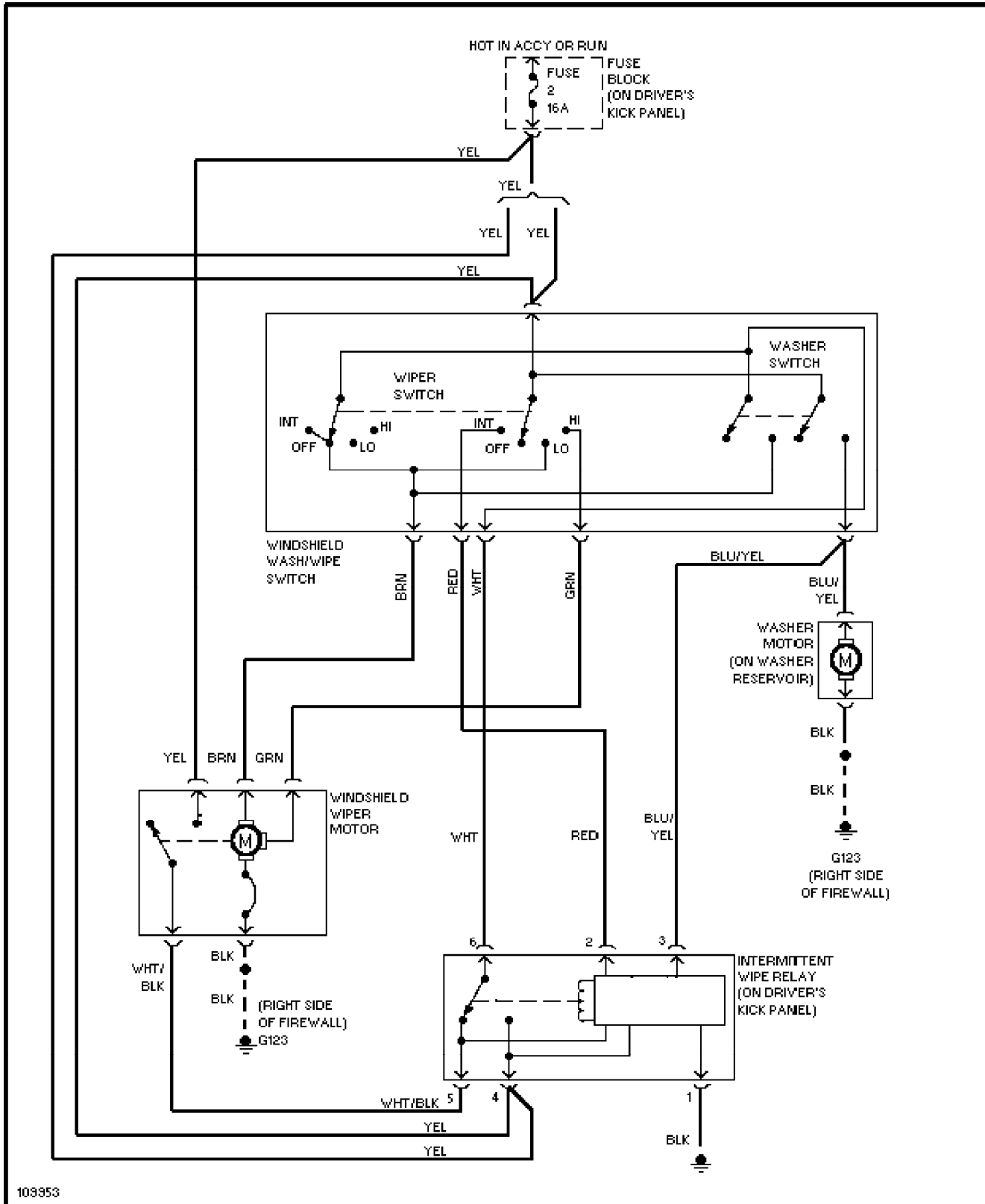
1991 Volvo 240



SYSTEM WIRING DIAGRAMS

Front Washer/Wiper Circuit

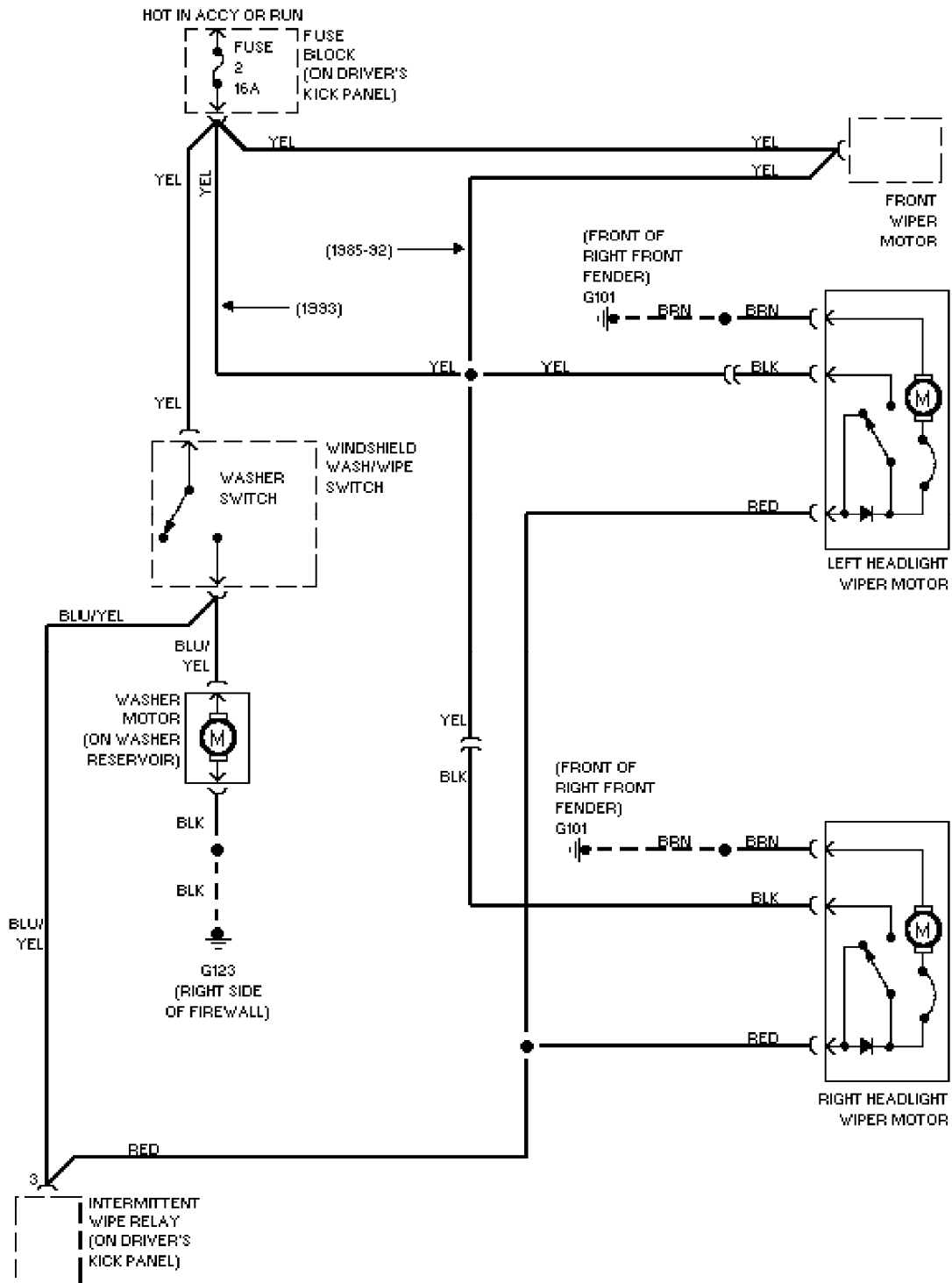
1991 Volvo 240



SYSTEM WIRING DIAGRAMS

Headlight Washer/Wiper Circuit

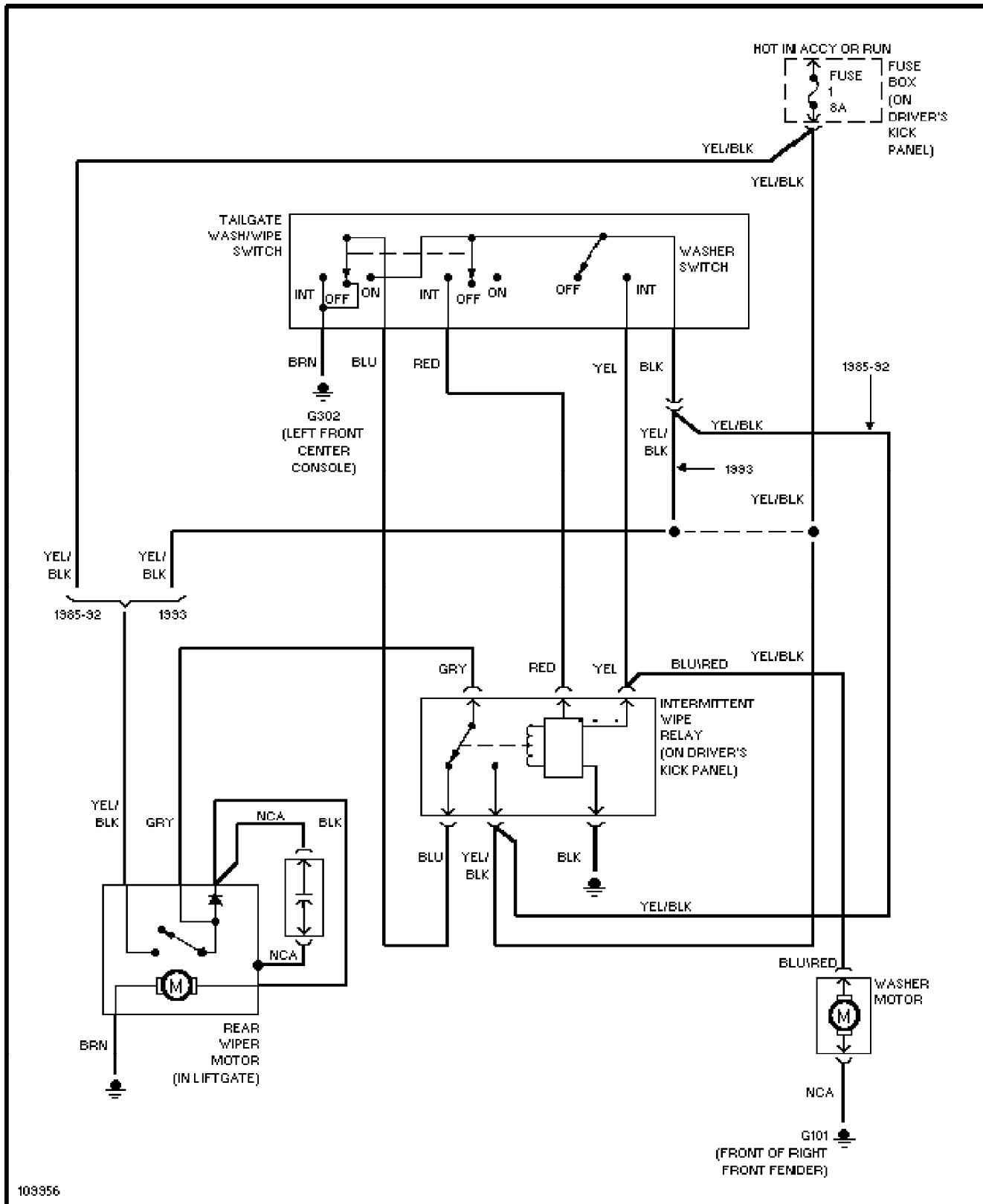
1991 Volvo 240



SYSTEM WIRING DIAGRAMS

Rear Washer/Wiper W/ Intermittent Relay Circuit

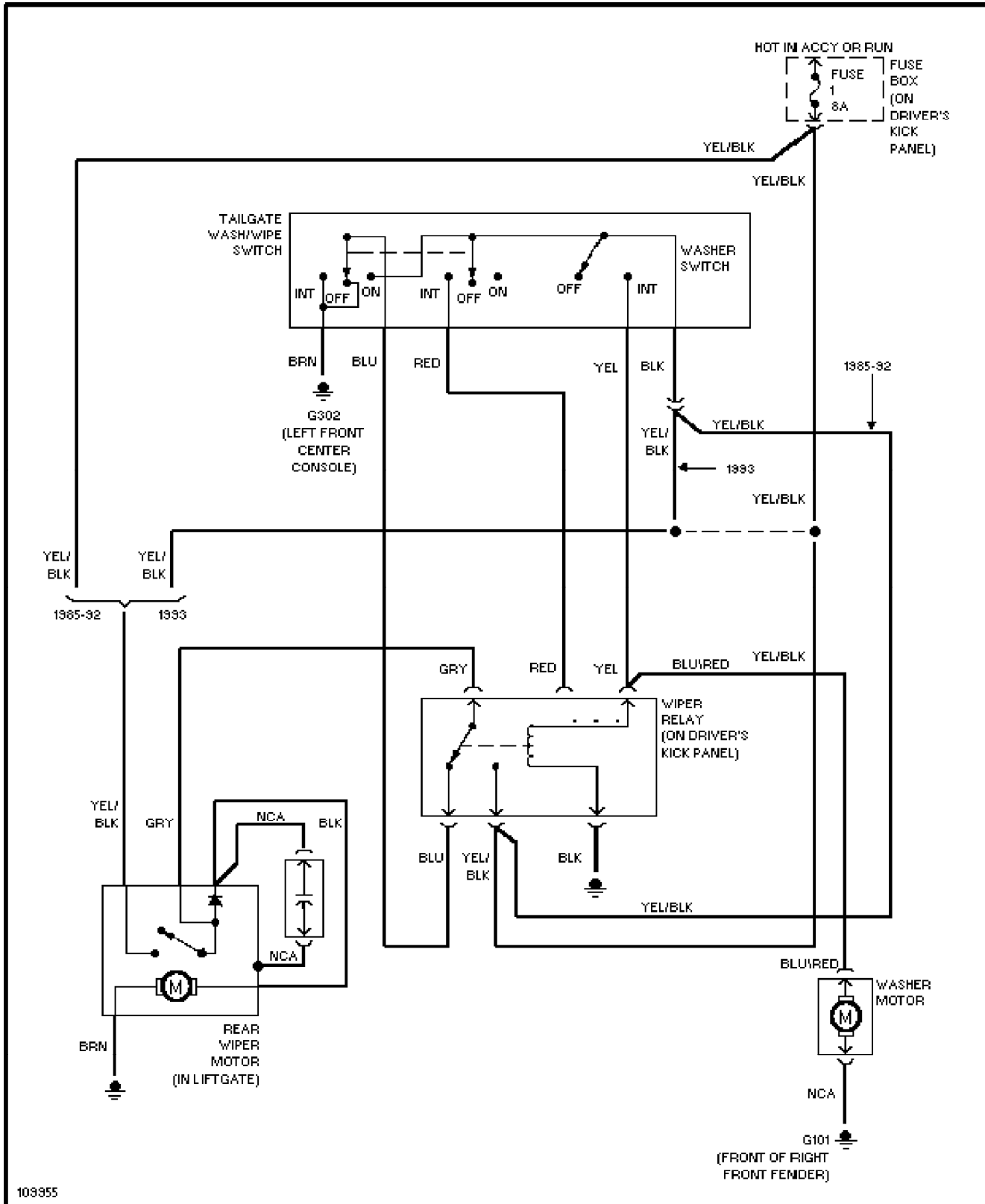
1991 Volvo 240



SYSTEM WIRING DIAGRAMS

Rear Washer/Wiper W/O Intermittent Relay Circuit

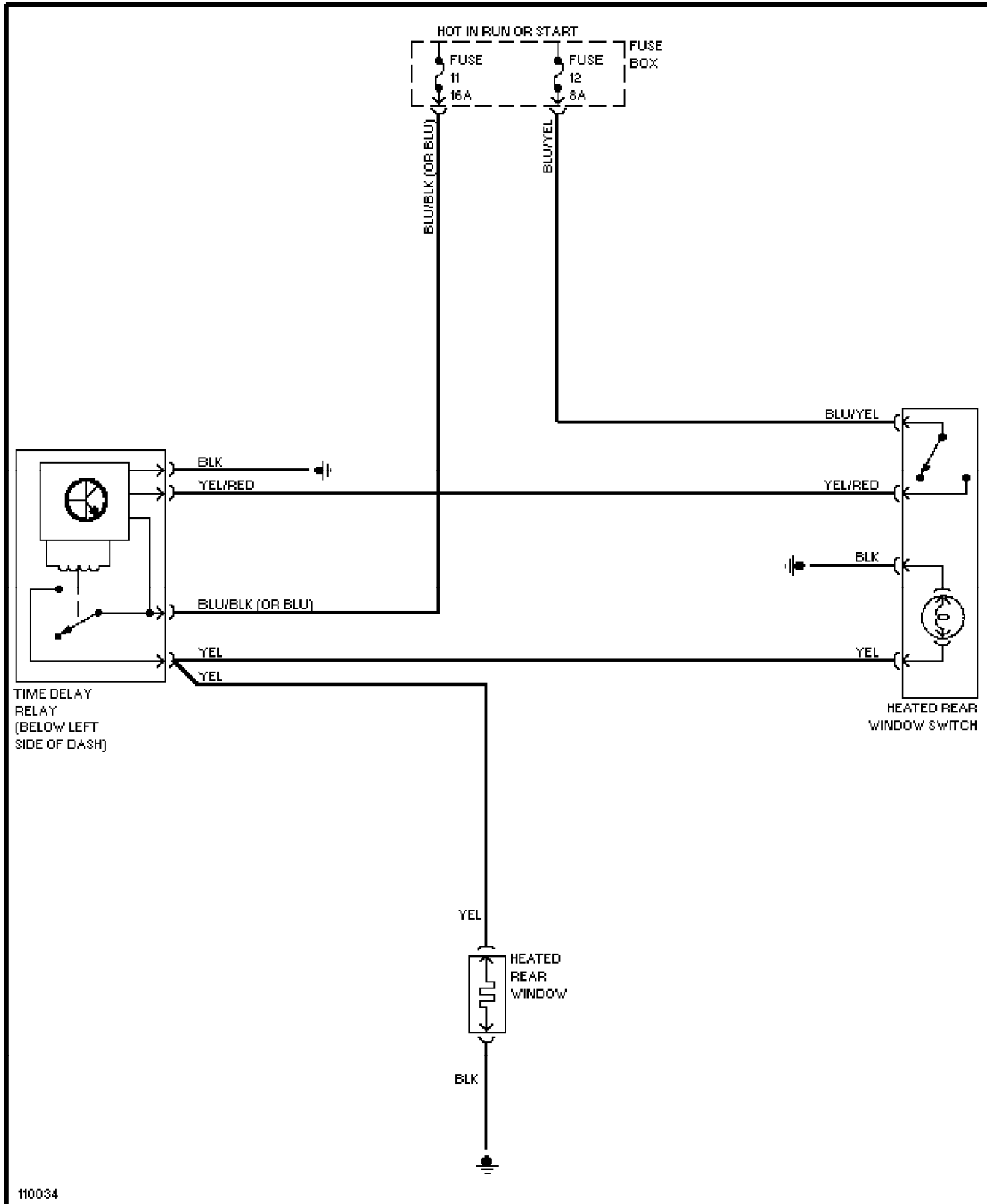
1991 Volvo 240



SYSTEM WIRING DIAGRAMS

Rear Defogger Circuit

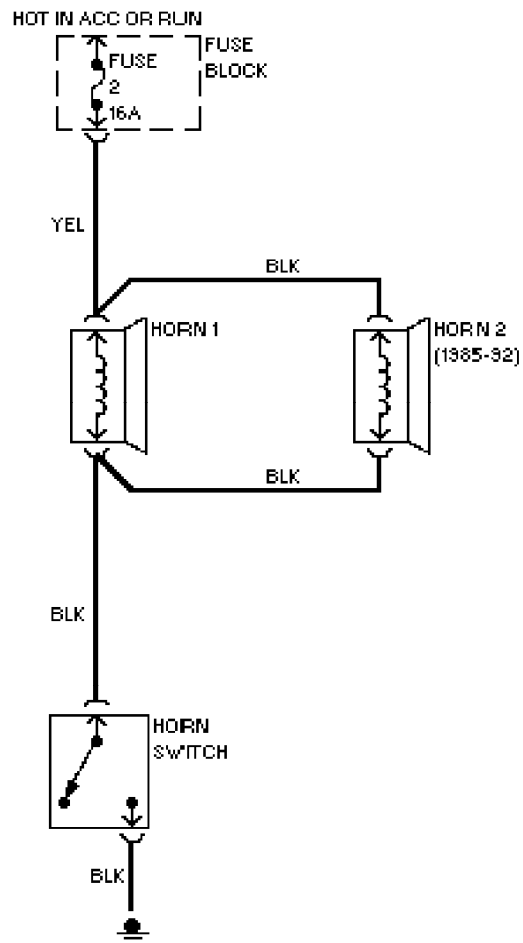
1991 Volvo 240



SYSTEM WIRING DIAGRAMS

Horn Circuit

1991 Volvo 240

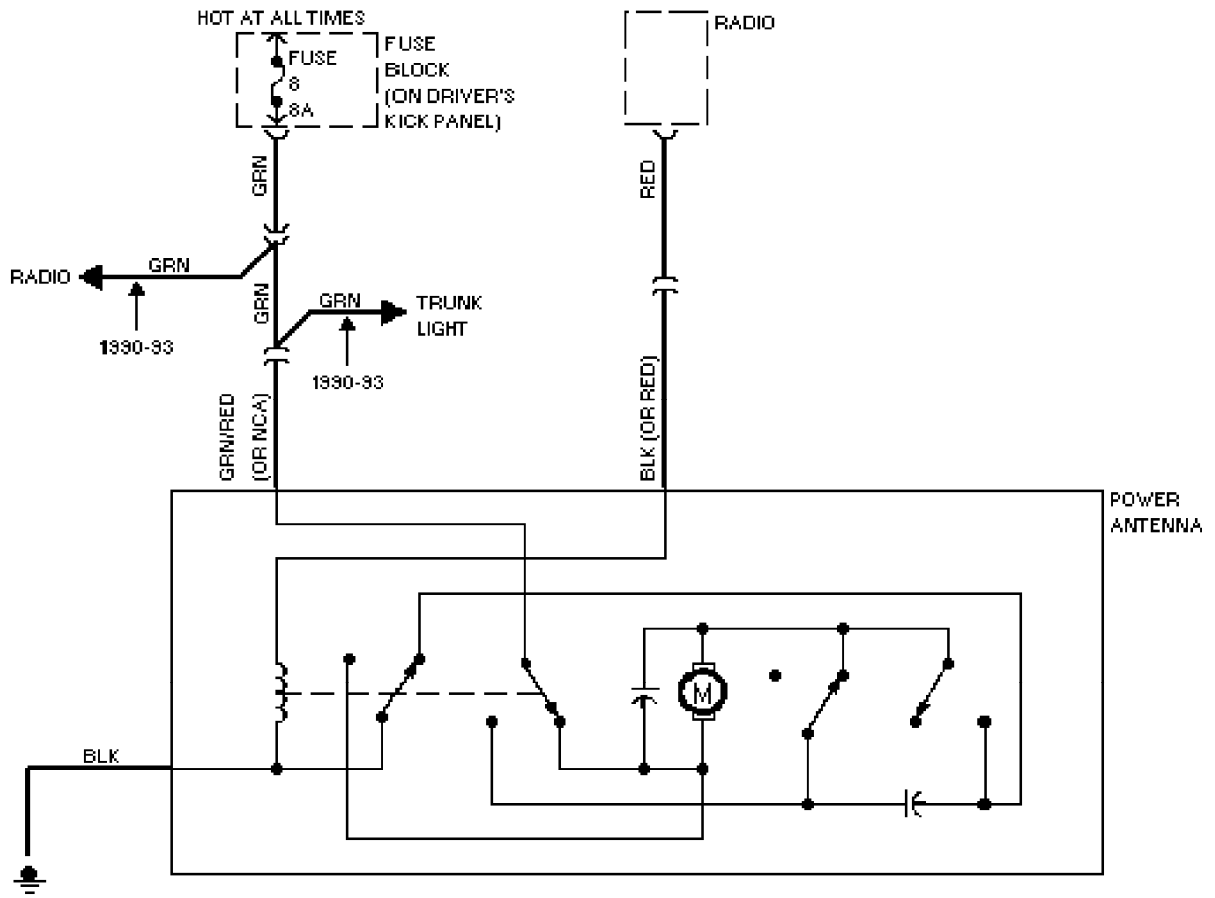


103960

SYSTEM WIRING DIAGRAMS

Power Antenna Circuit

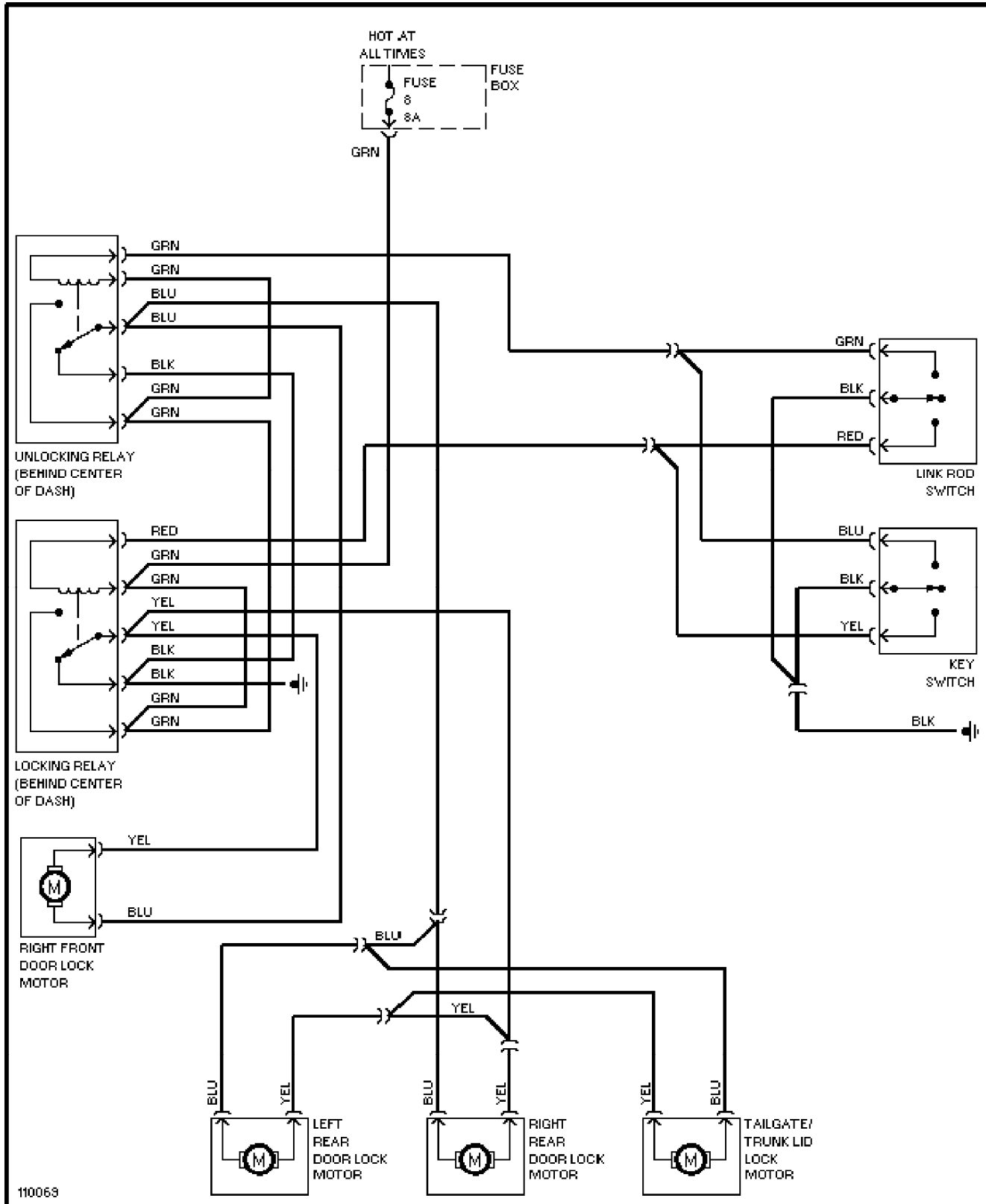
1991 Volvo 240



SYSTEM WIRING DIAGRAMS

Power Door Lock Circuit

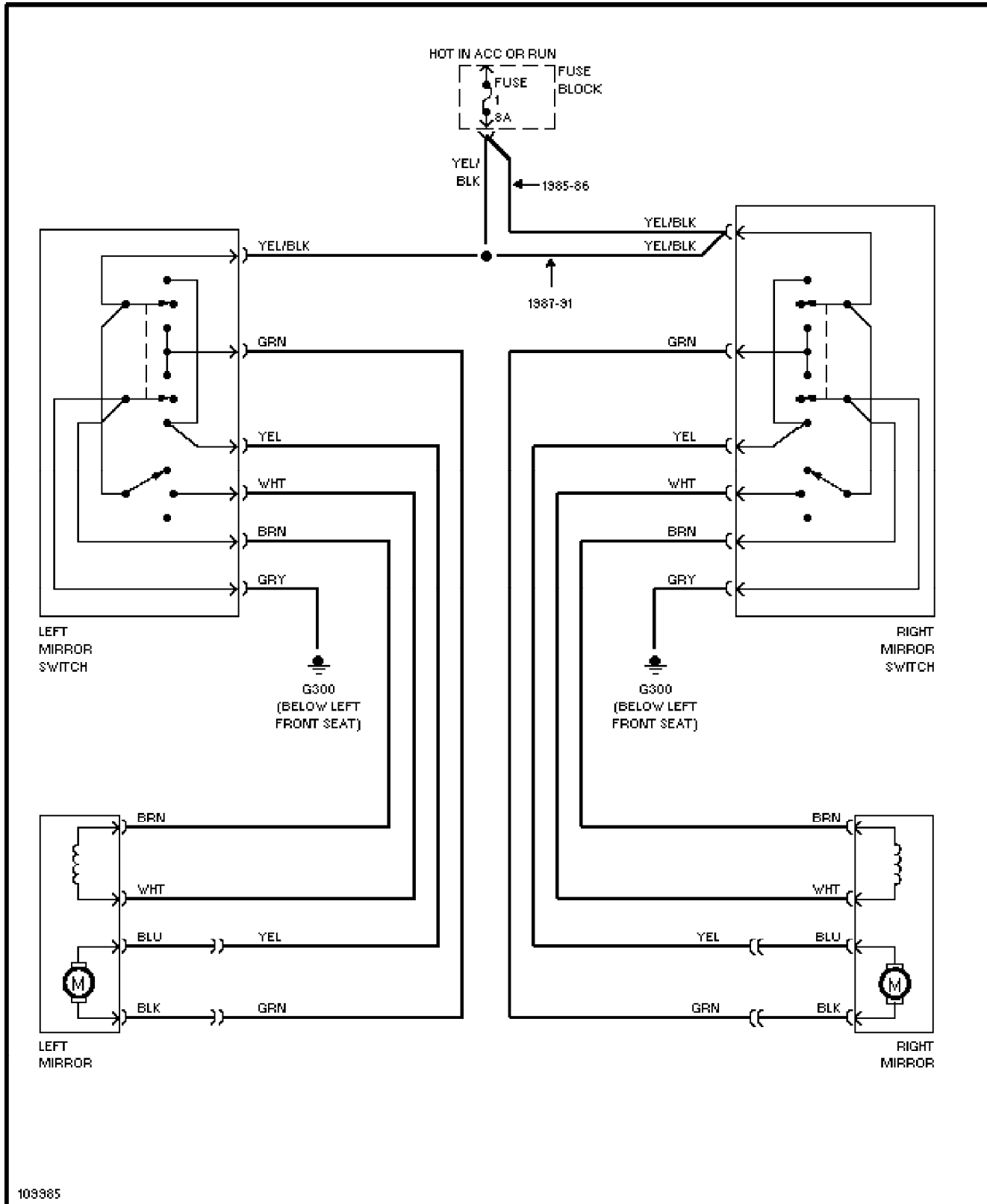
1991 Volvo 240



SYSTEM WIRING DIAGRAMS

Power Mirror Circuit

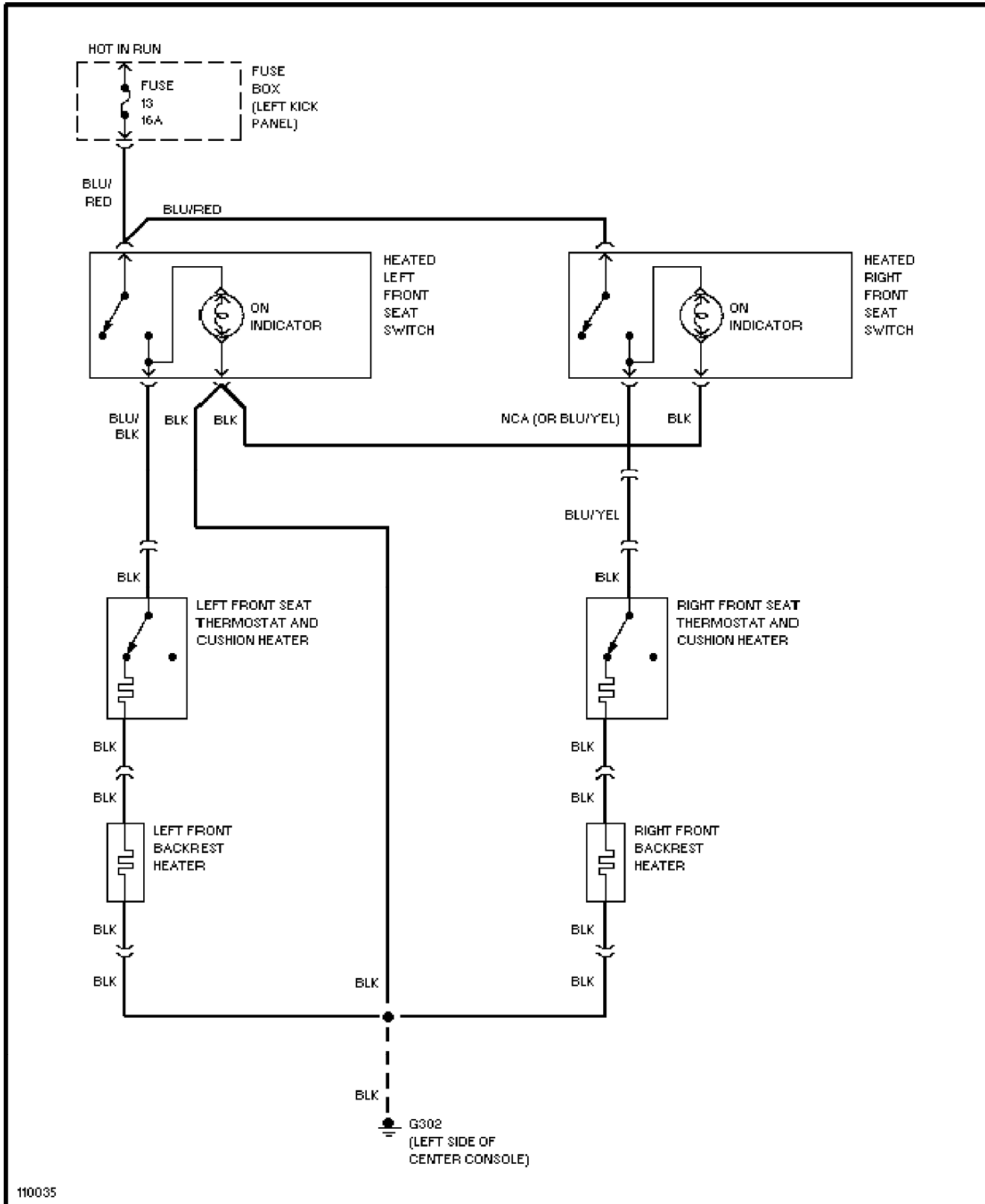
1991 Volvo 240



SYSTEM WIRING DIAGRAMS

Heated Seats Circuit

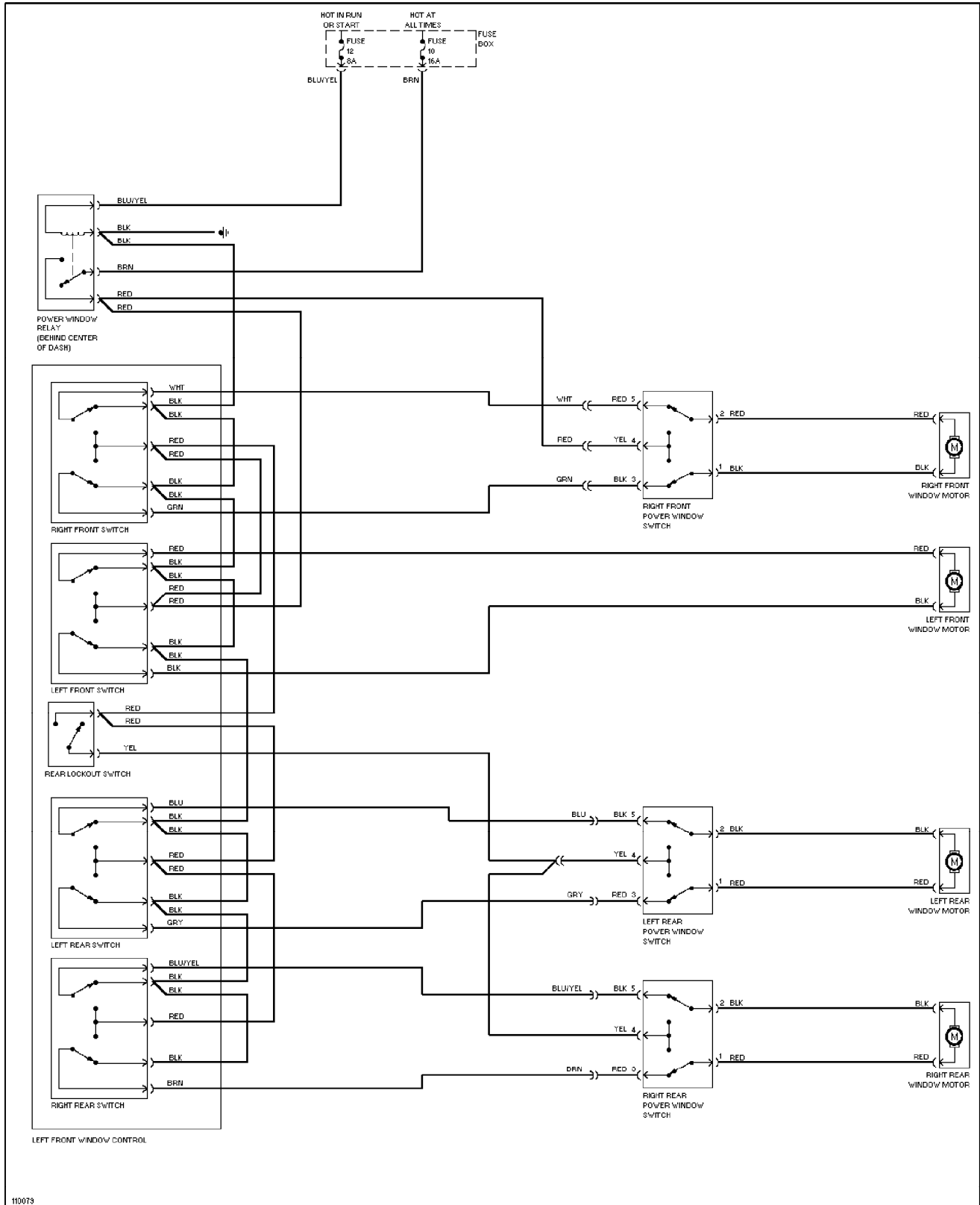
1991 Volvo 240



SYSTEM WIRING DIAGRAMS

Power Window Circuit

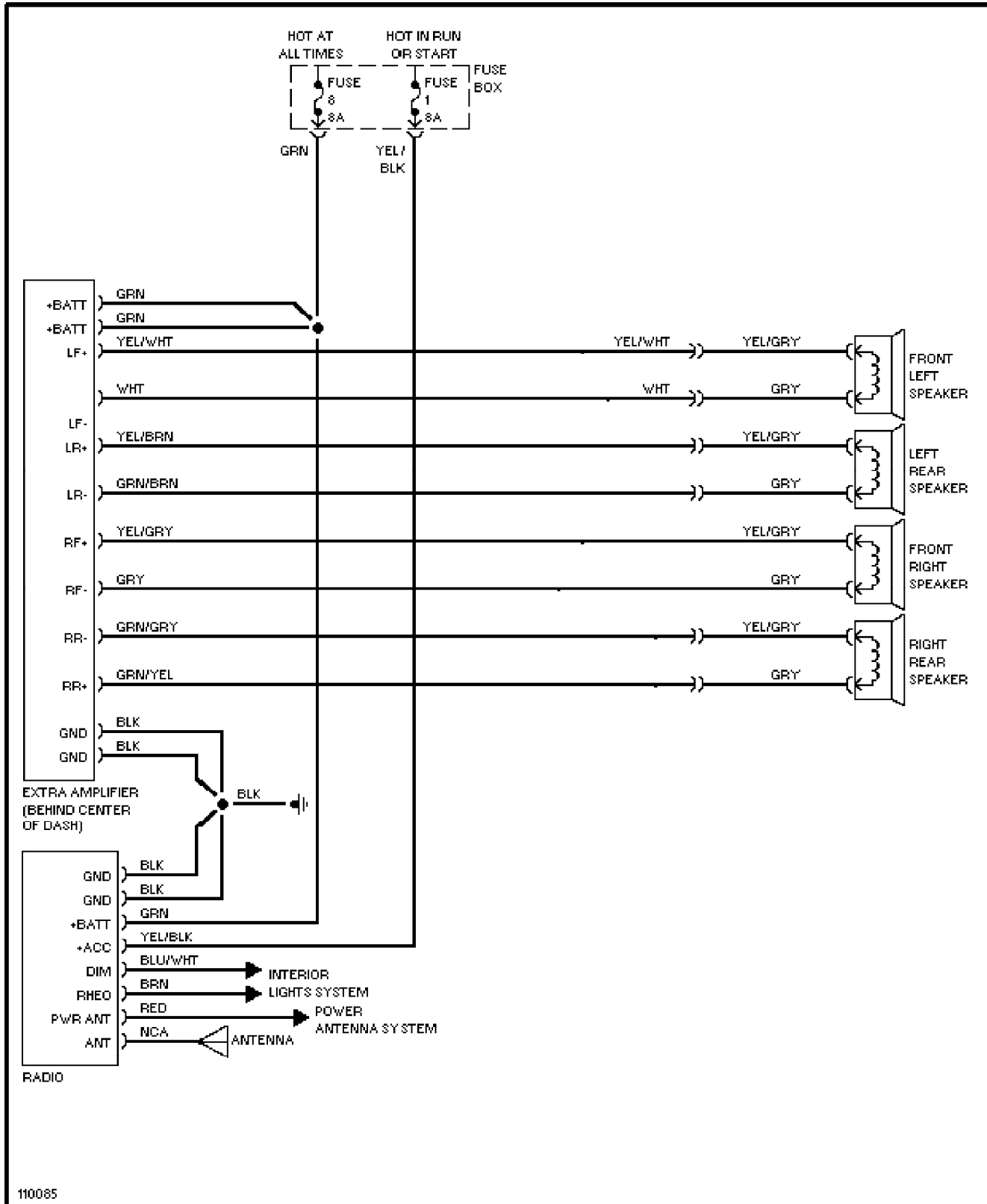
1991 Volvo 240



SYSTEM WIRING DIAGRAMS

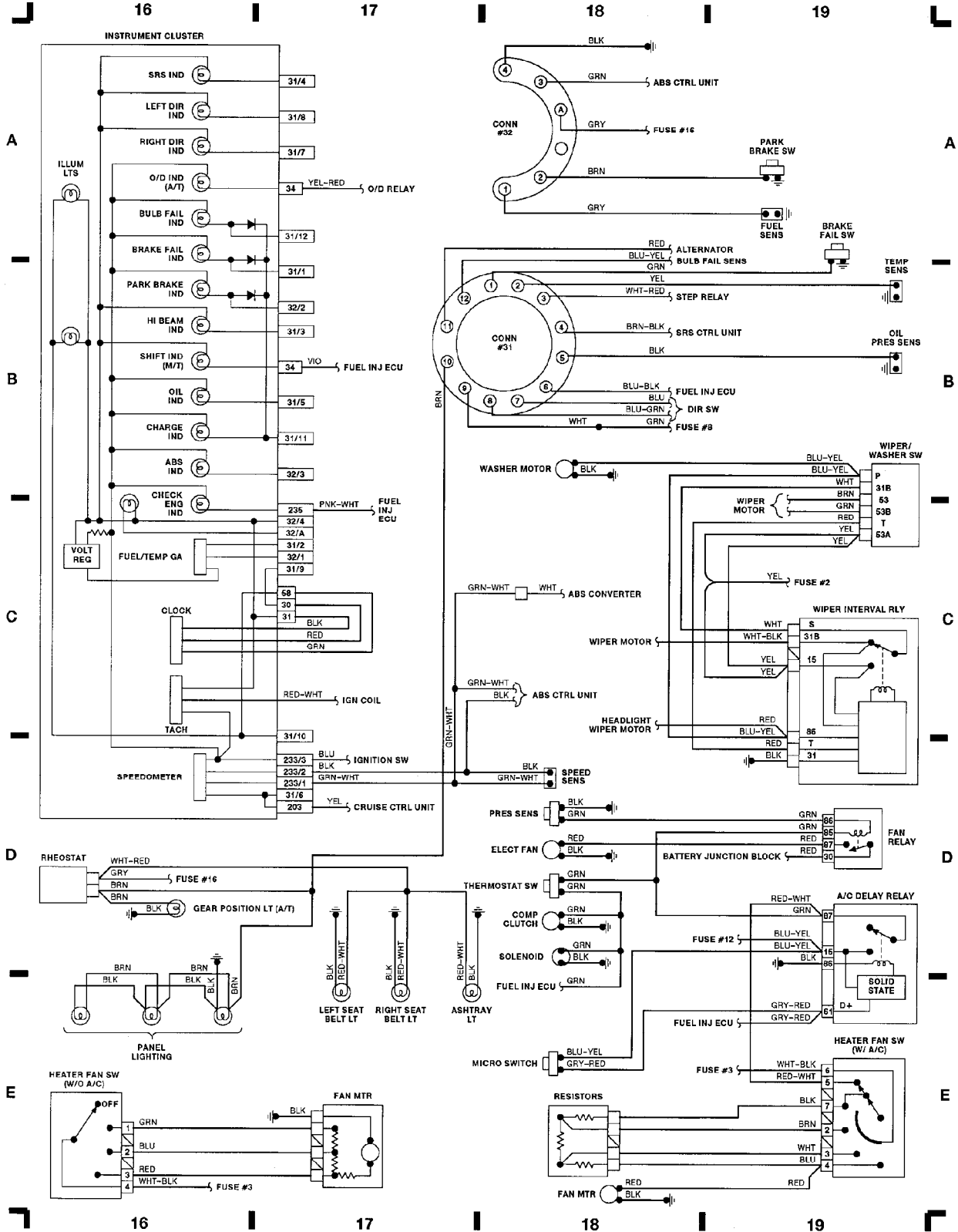
Radio Circuits

1991 Volvo 240



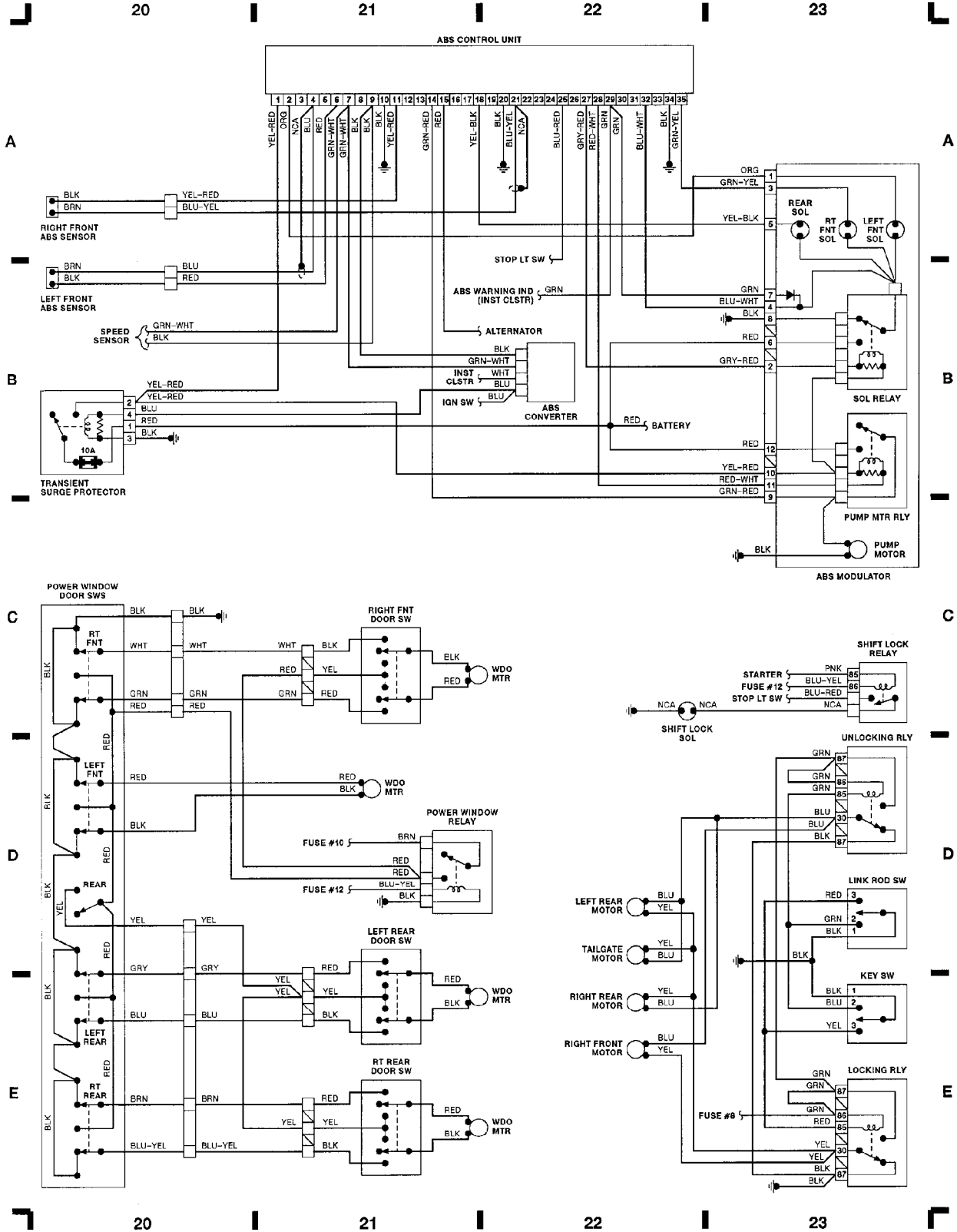
WIRING DIAGRAMS

Fig. 5: Inst Cluster, A/C & Heater, Wiper/Washer (Grid 16-19)
1991 Volvo 240



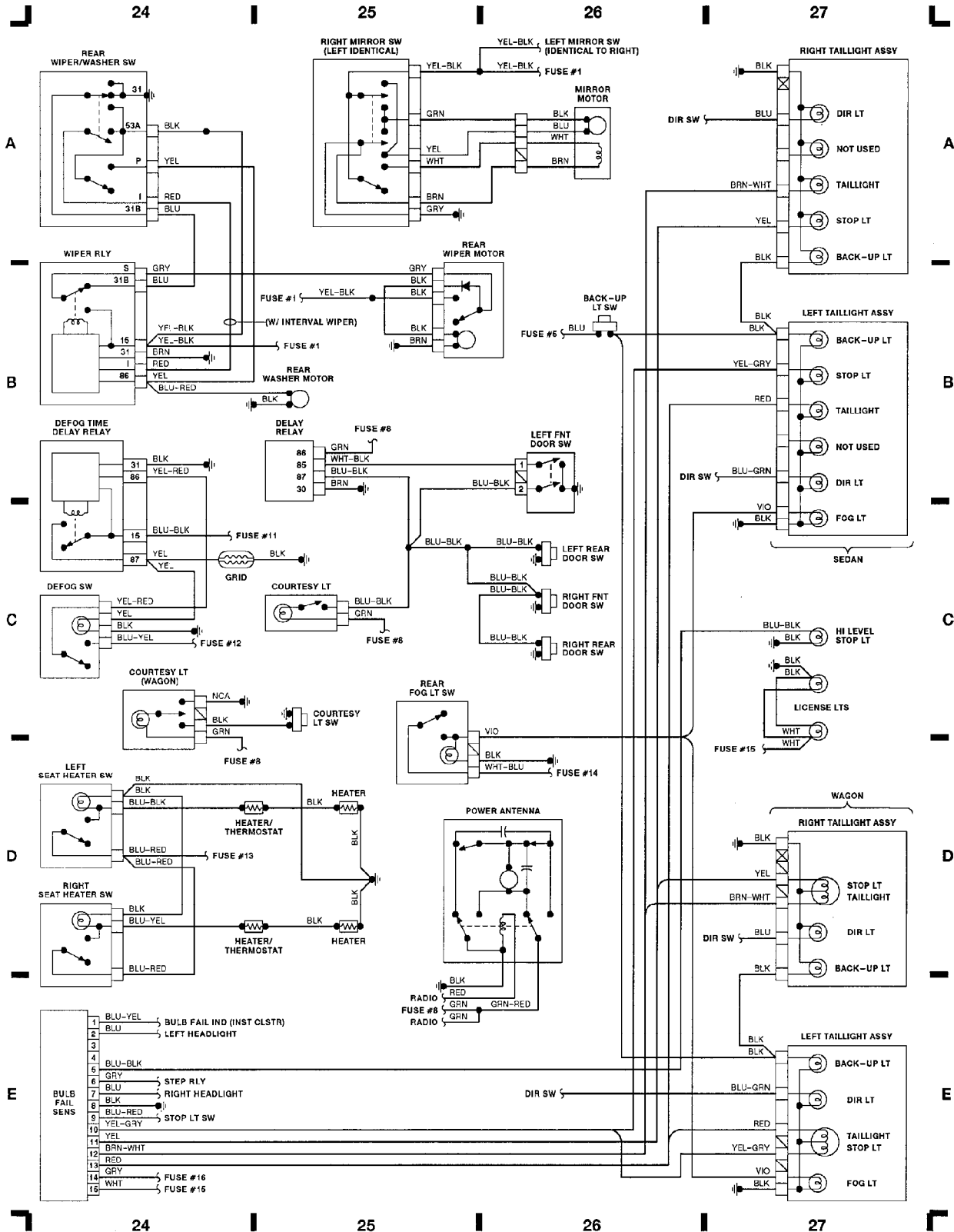
WIRING DIAGRAMS

Fig. 6: ABS Ctrl, Power Window/Doors, Shift Lock Rly (Grid 20-23)
1991 Volvo 240



WIRING DIAGRAMS

Fig. 7: Power Antenna, Rear Washer/Wiper, Taillights (Grid 24-27)
1991 Volvo 240

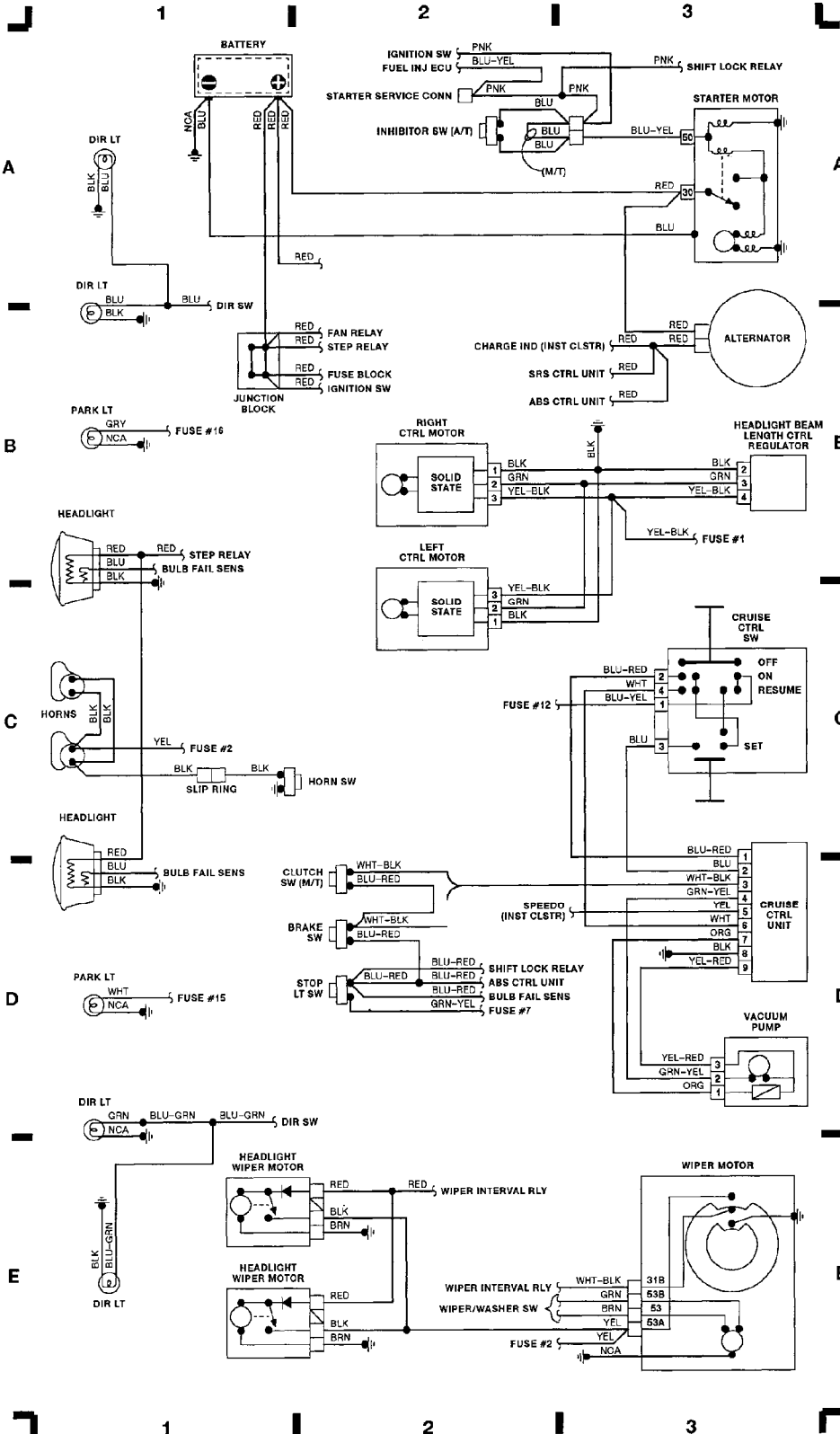


WIRING DIAGRAMS

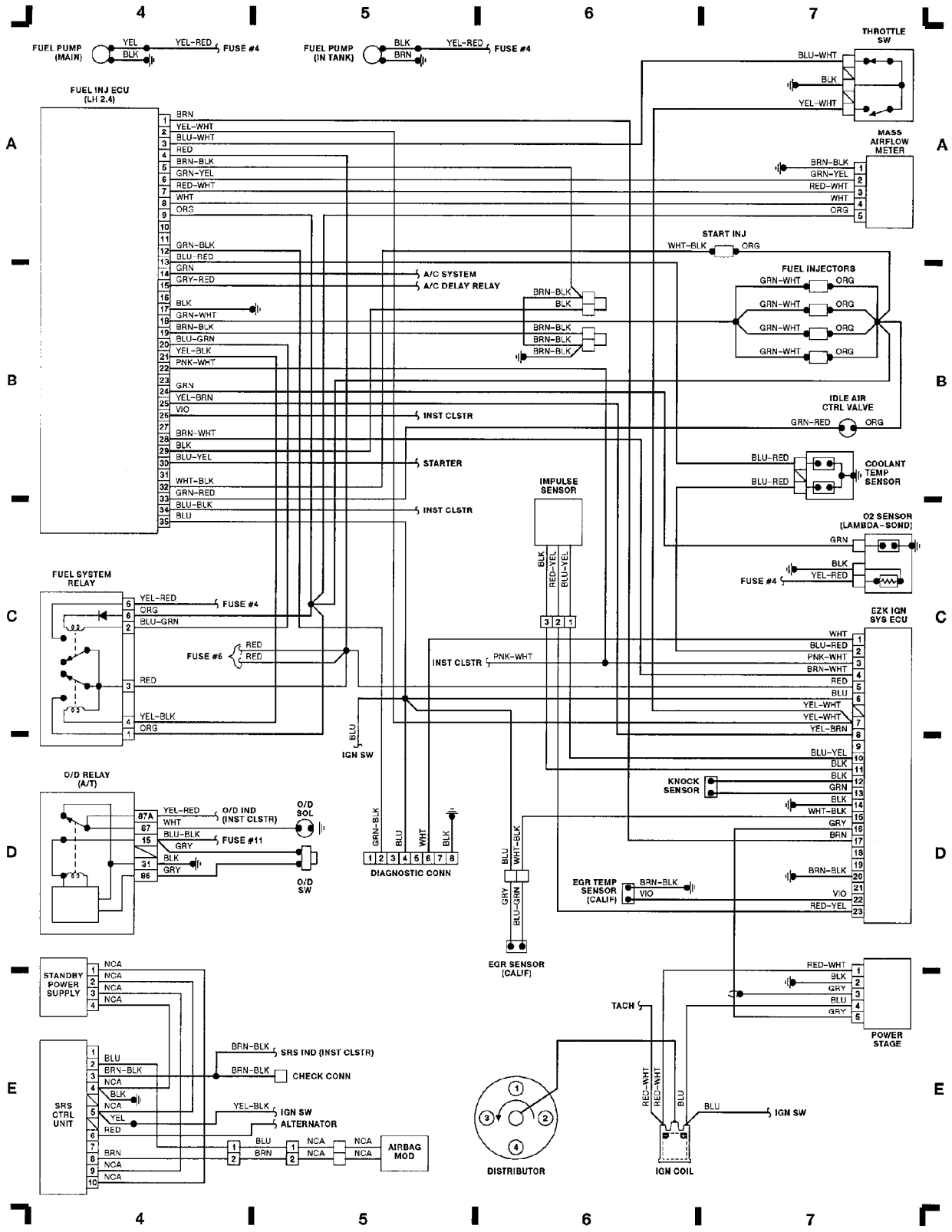
Fig. 1: Engine Compartment & Headlights (Grid 1-3)
1991 Volvo 240

COMPONENT LOCATOR:

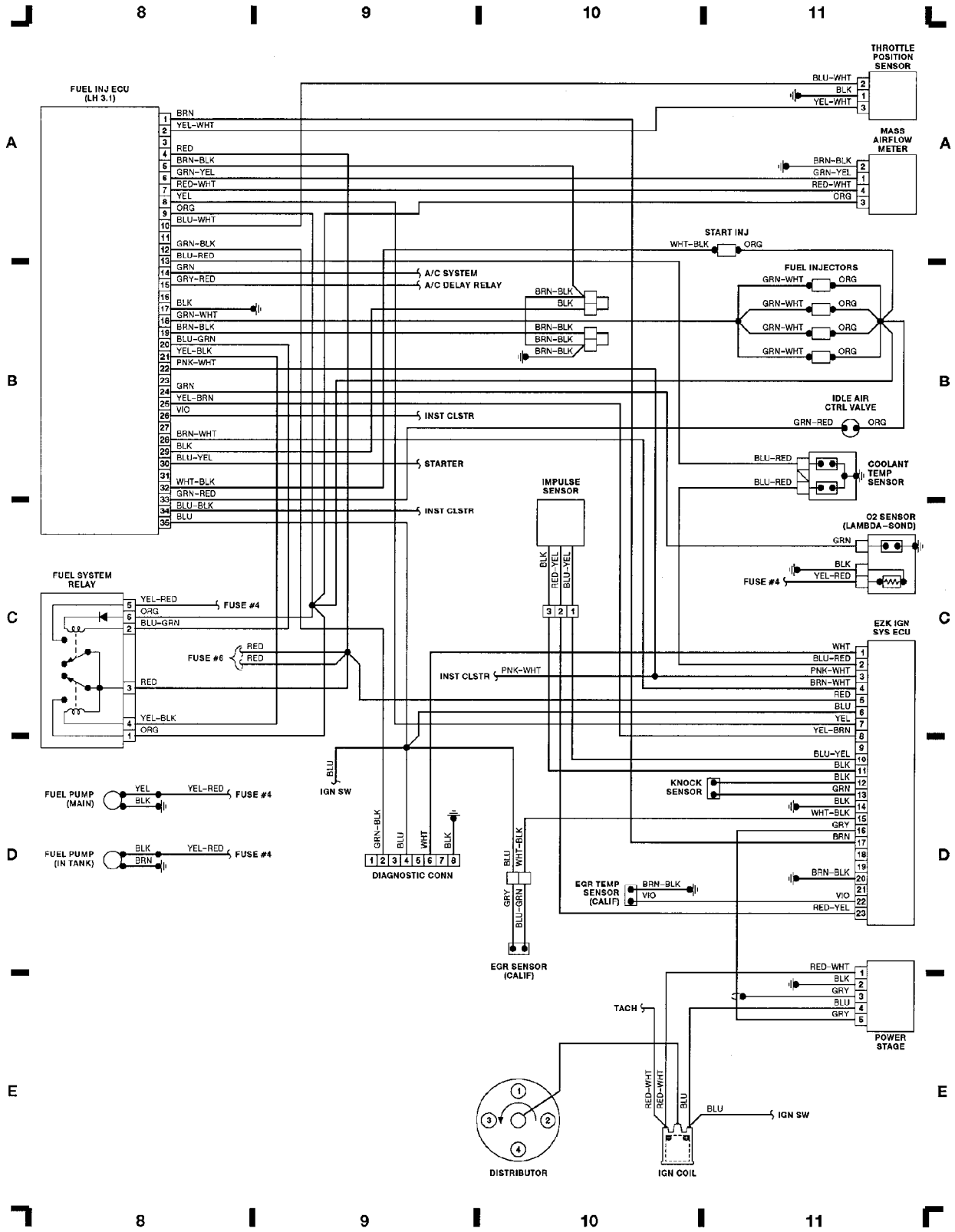
A/C SYS	D-E 18-19
ABS SYSTEM	A-C 25-23
ALTERNATOR	B 3
BACK-UP LT SW	B 26
BATTERY	A 1
BRAKE FAIL SW	A 18
BULB FAIL SENS	E 24
CIG LT SW	B 14-15
COURTESY LTS	B-C 25-26
CRUISE CTRL SYS	C-D 2-3
DEFOG SW	C 24
DEFOG TIME DELAY RELAY	B-C 24
DIAGNOSTIC CONN	D 5, D 9
DIR SW	A 15
DOOR SWS	A-C 21
EZR IGN SYS ECU	C-D 7, C-D 11
FAN RELAY	D 19
FASHER RELAY	A-B 13-14
FUEL INJ ECU (LH-JETRONIC)	A-B 4, A-B 8
FUEL PUMP (IN TANK)	A 5, D 8
FUEL PUMP (MAIN)	A 4, D 8
FUEL SENS	A 19
FUEL SYS RELAY	C 4, C 8
FUSE BLOCK	B-E 13-14
GLOVE BOX LT & SW	D 15
HAZARD SW	A-B 15
HEADLT BEAM LENGTH CTRL SYS	B 2-3
HEADLT RELAY	A-B 12
HEADLT SW	A 13-14
HEADLT WIPER MOTORS	E 1-2
HEATER FAN SWS	E 16-19
HORN SW	C 1
IGNITION COIL	E 6, E 10
IGNITION SW	B-C 12
INHIBITOR SW	A 2
INST CLSTR	A-D 16-17
JUNCTION BLOCK	B 1
OID RELAY (A/T)	D 4
O2 SENS	C 7, C 11
OIL PRES SENS	B 19
PANEL LTS	E 16
PARK BRAKE SW	A 18
POWER ANTENNA	D 25-26
POWER DOOR LOCKS	D-E 22-23
POWER MIRROR SYS	A 25-26
POWER WINDOW SYS	A-C 20-21
REAR FOG LT SW	C 25
REAR WIPER/WASHER SYS	A-B 24-28
RHEOSTAT	D 16
SEAT HEATER SYS	D 24-26
SHIFT LOCK SYS	C 23
SPEED SENS	D 18
SRS SYS	E 4-5
STARTER MOTOR	A 3
STEP RELAY	A 12
STOP LT SW	D 22
TEMP SENS	B 18
TRUNK LT SW	C 16
WIPER INTERVAL RELAY	C 19
WIPER MOTOR	E 3
WIPER/WASHER SW	B-C 19



WIRING DIAGRAMS
Fig. 2: Computer Engine Ctrl (LH 2.4), SRS, (Grid 4-7)
 1991 Volvo 240



WIRING DIAGRAMS
Fig. 3: Computer Engine Ctrl (LH 3.1), EZK Ign Sys (Grid 8-11)
 1991 Volvo 240



WIRING DIAGRAMS

Fig. 4: Fuse Block, Ign Sw, Headlt Sw, Hazard Sw (Grid 12-15)
1991 Volvo 240

