

SYSTEM WIRING DIAGRAMS

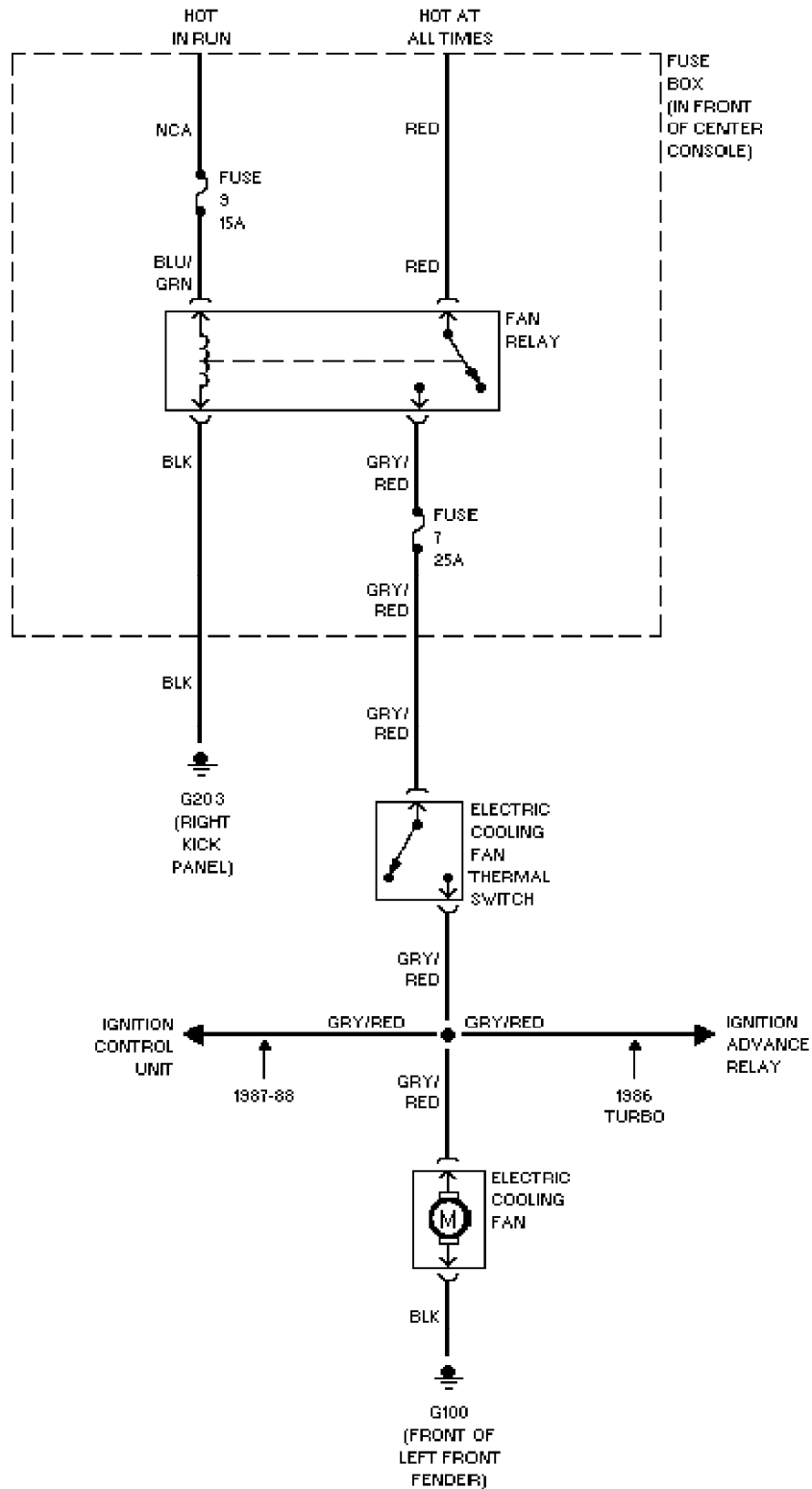
Cooling Fan Circuit

1986 Volvo 760

For x

Copyright © 1998 Mitchell Repair Information Company, LLC

Friday, July 23, 2004 07:55PM



SYSTEM WIRING DIAGRAMS

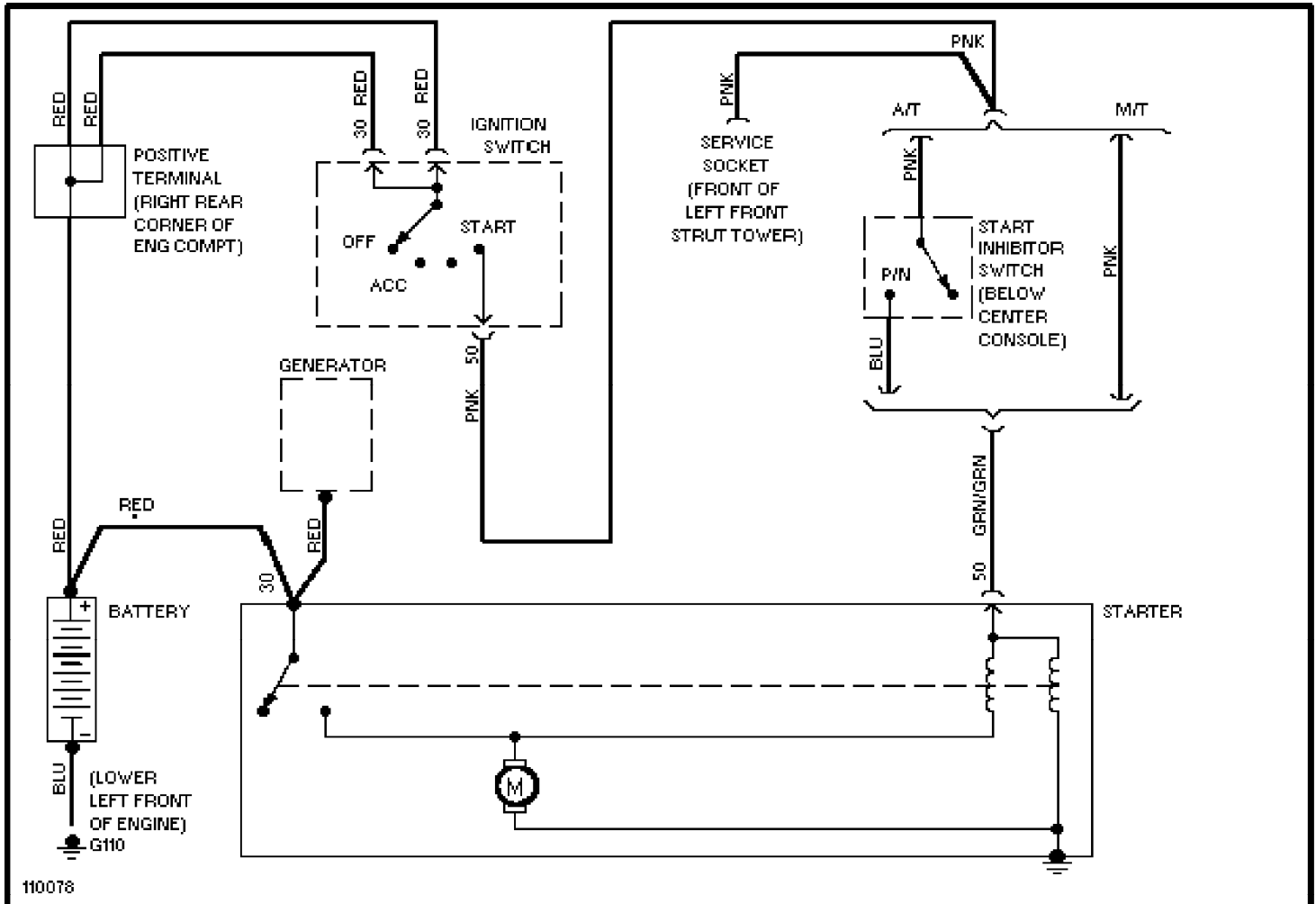
Starting Circuit

1986 Volvo 760

For x

Copyright © 1998 Mitchell Repair Information Company, LLC

Friday, July 23, 2004 07:56PM



SYSTEM WIRING DIAGRAMS

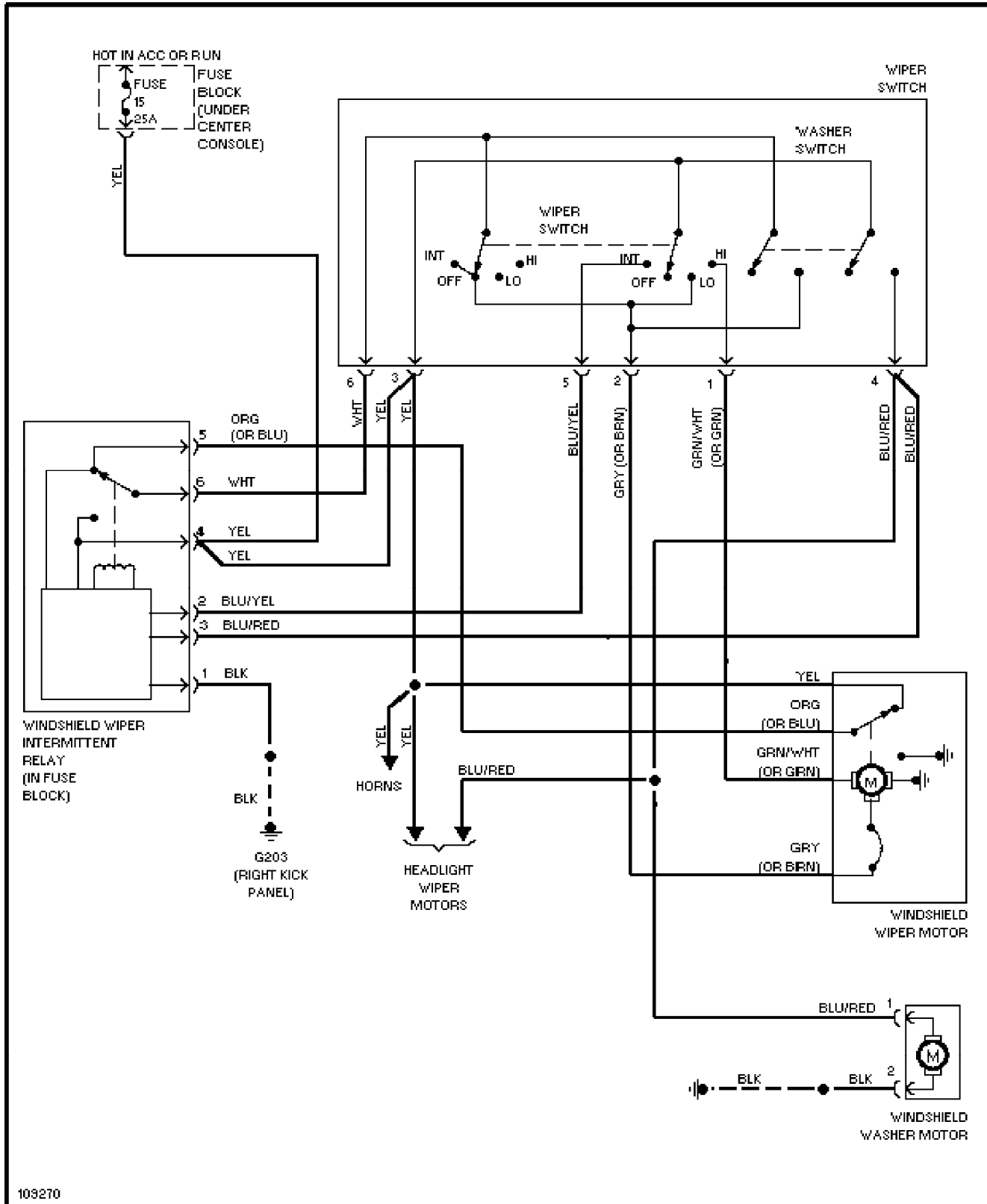
Front Wiper/Washer Circuit

1986 Volvo 760

For x

Copyright © 1998 Mitchell Repair Information Company, LLC

Friday, July 23, 2004 07:56PM



SYSTEM WIRING DIAGRAMS

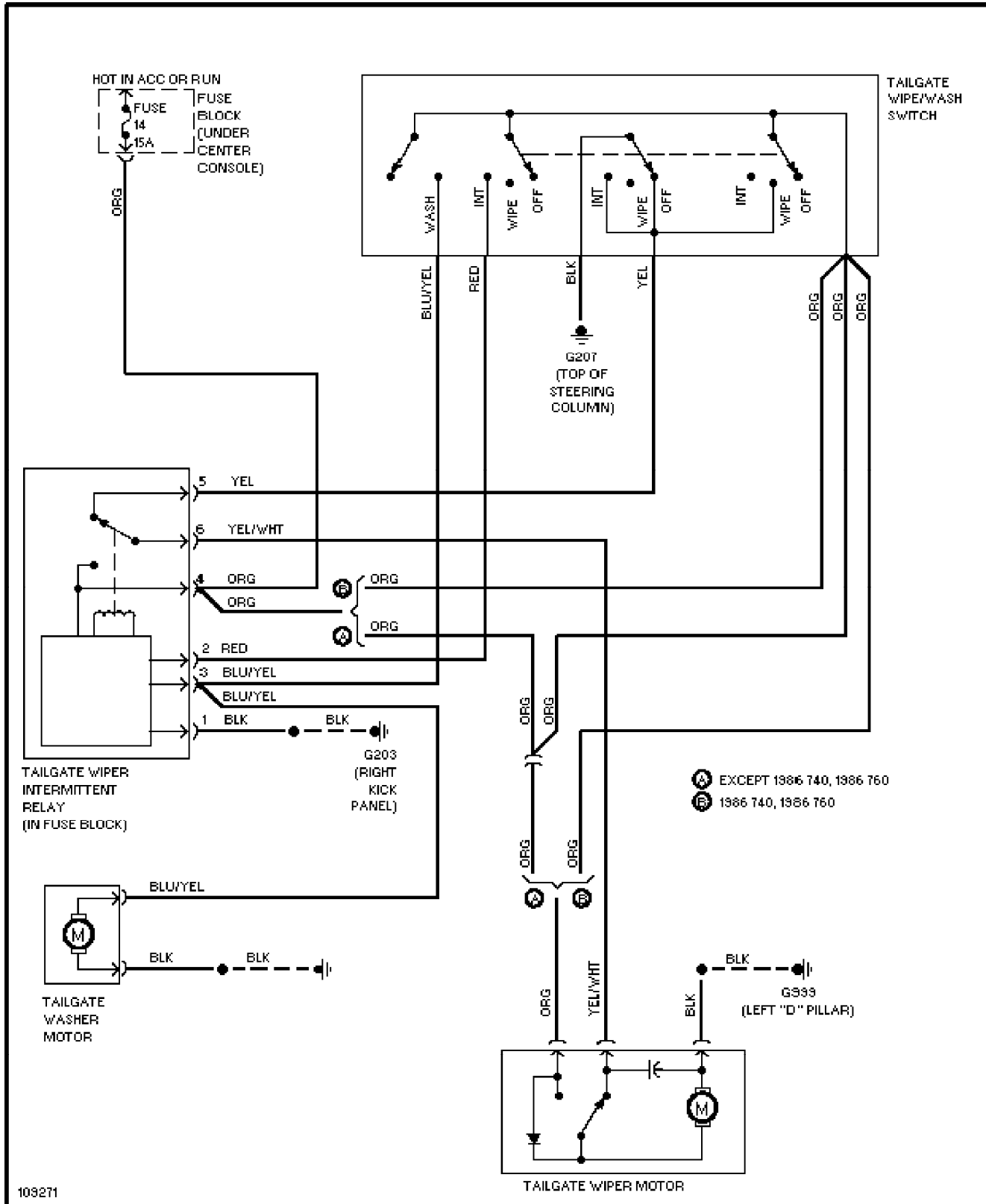
Rear Wiper/Washer Circuit

1986 Volvo 760

For x

Copyright © 1998 Mitchell Repair Information Company, LLC

Friday, July 23, 2004 07:57PM



SYSTEM WIRING DIAGRAMS

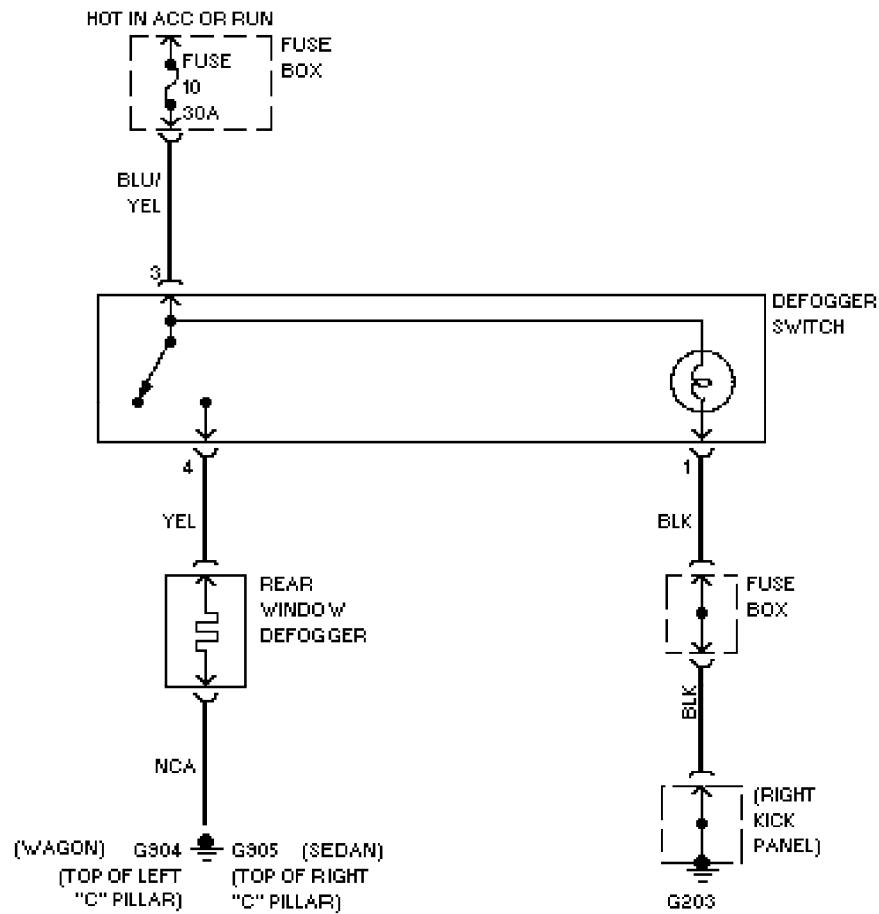
Defogger Circuit, W/O Heated Mirrors

1986 Volvo 760

For x

Copyright © 1998 Mitchell Repair Information Company, LLC

Friday, July 23, 2004 07:56PM



SYSTEM WIRING DIAGRAMS

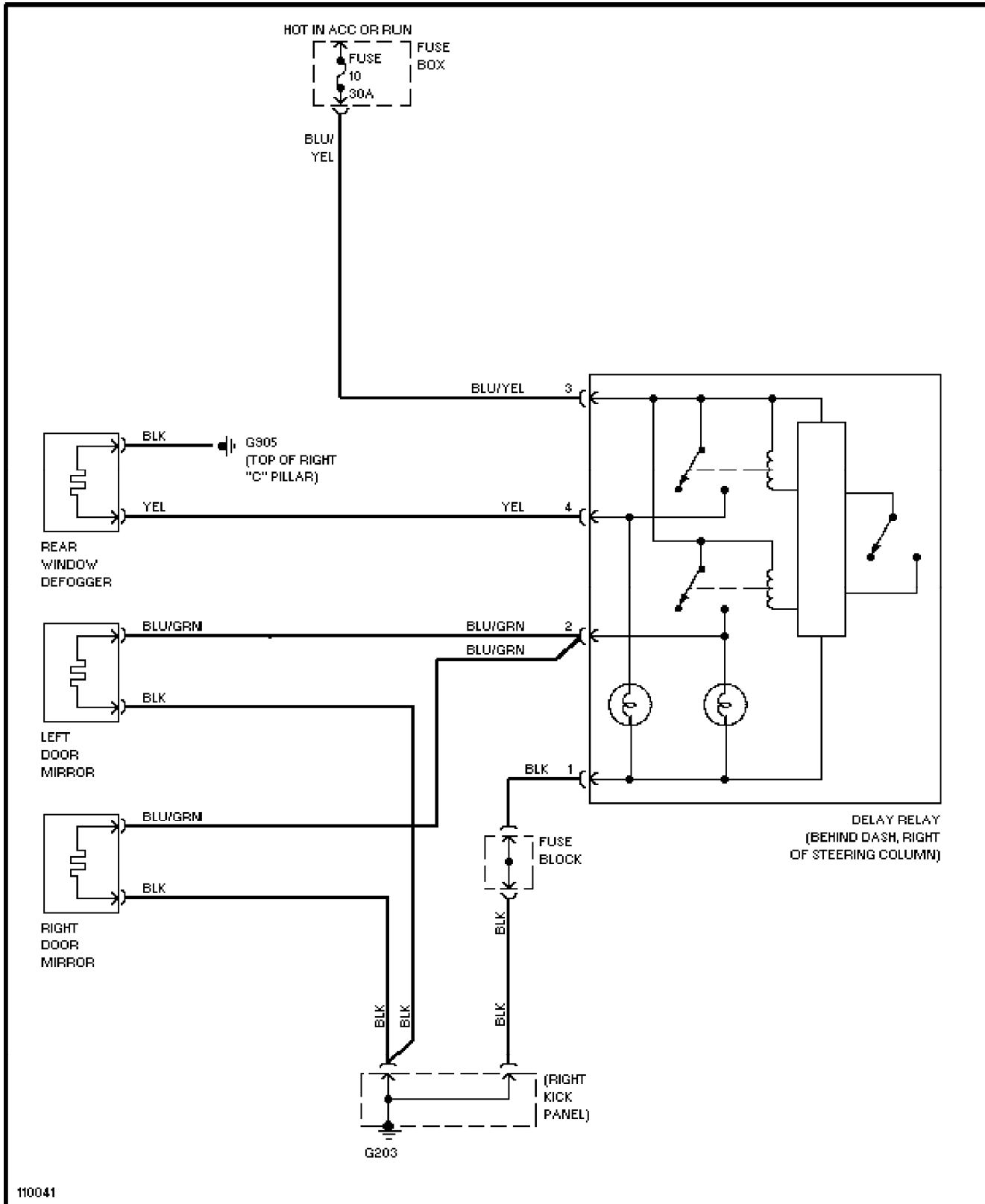
Rear Defogger & Heated Mirrors Circuit

1986 Volvo 760

For x

Copyright © 1998 Mitchell Repair Information Company, LLC

Friday, July 23, 2004 07:56PM



SYSTEM WIRING DIAGRAMS

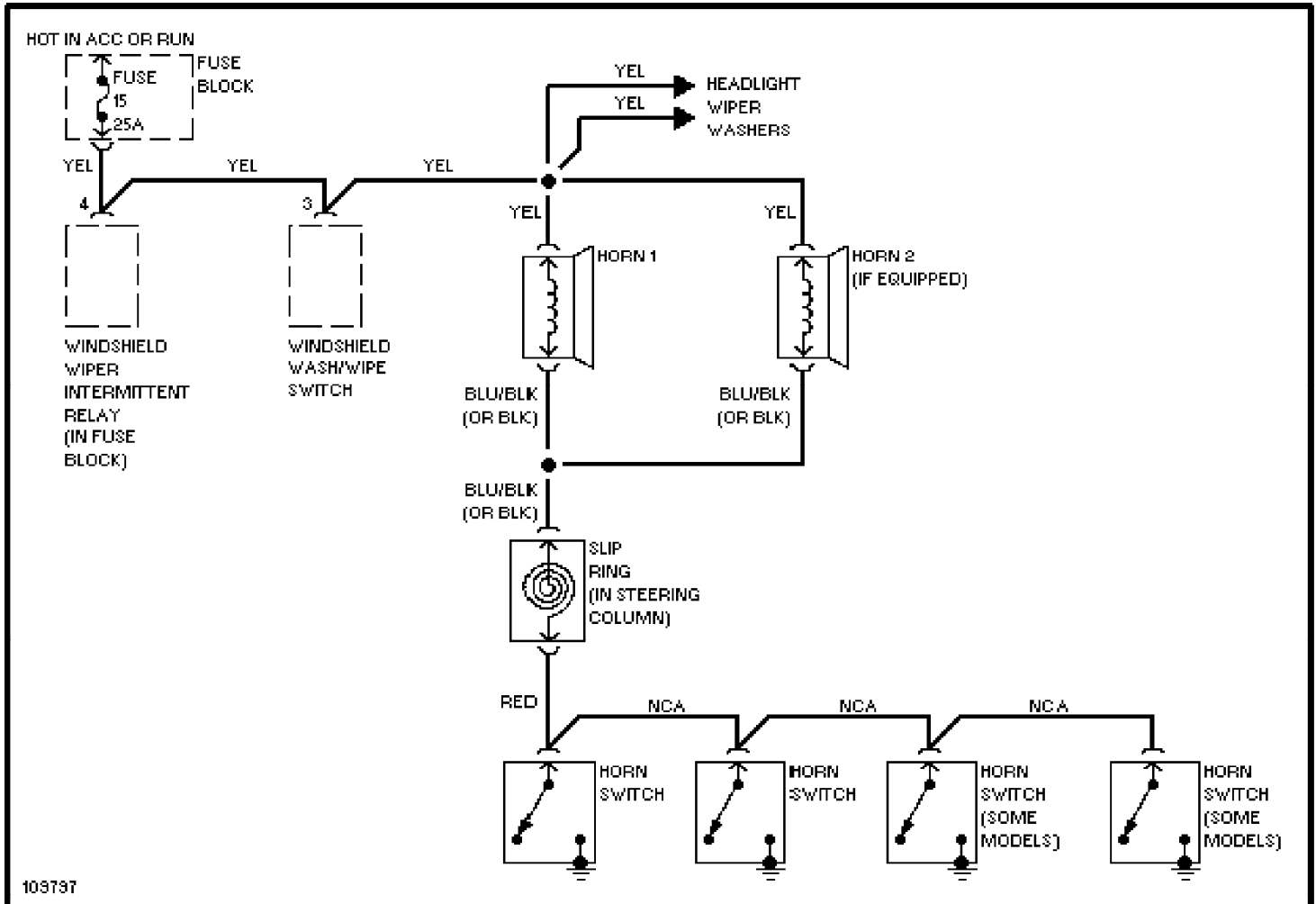
Horn Circuit

1986 Volvo 760

For x

Copyright © 1998 Mitchell Repair Information Company, LLC

Friday, July 23, 2004 07:56PM



SYSTEM WIRING DIAGRAMS

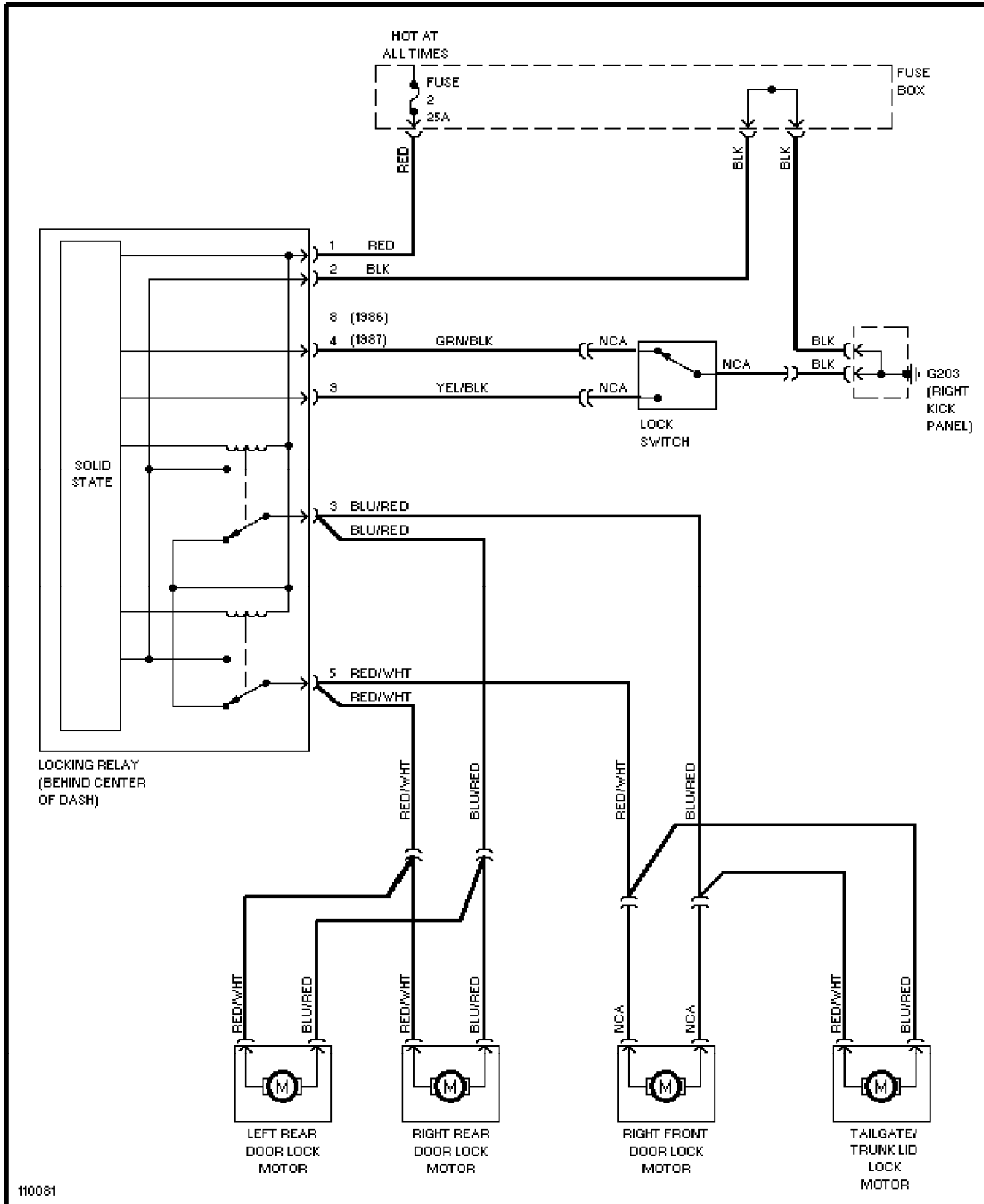
Power Door Lock Circuit

1986 Volvo 760

For x

Copyright © 1998 Mitchell Repair Information Company, LLC

Friday, July 23, 2004 07:56PM



SYSTEM WIRING DIAGRAMS

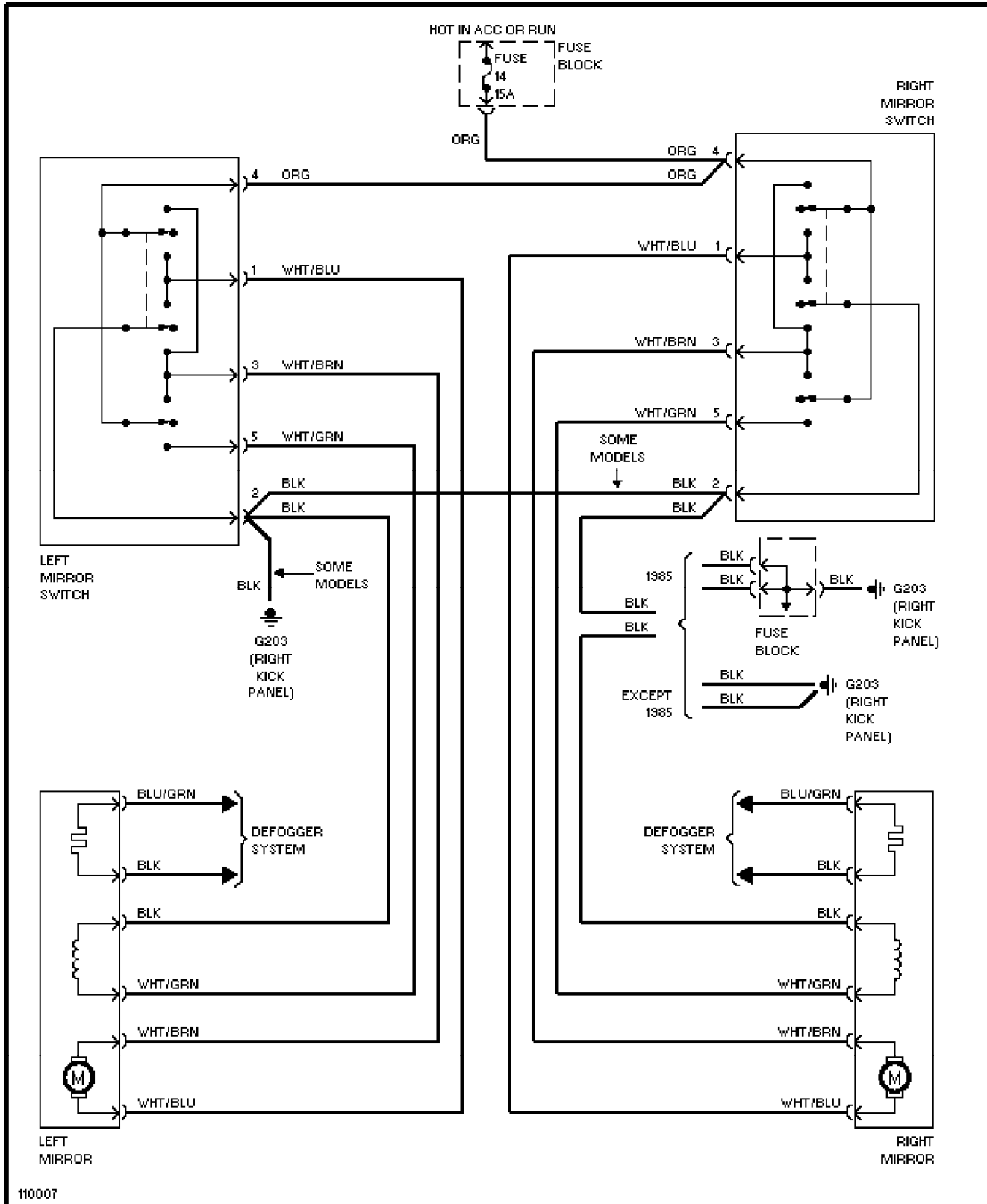
Power Mirror Circuit

1986 Volvo 760

For x

Copyright © 1998 Mitchell Repair Information Company, LLC

Friday, July 23, 2004 07:56PM



SYSTEM WIRING DIAGRAMS

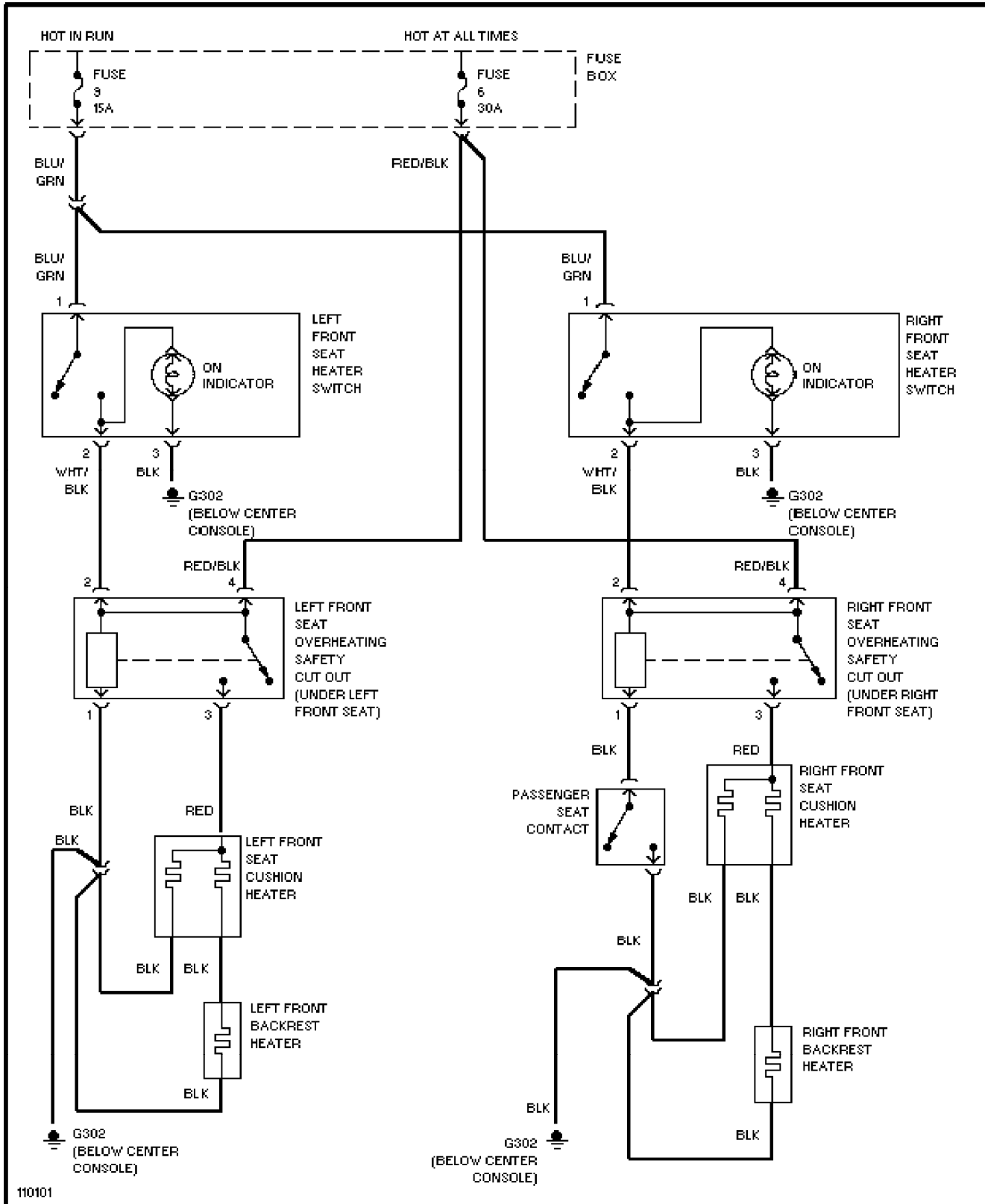
Heated Seats Circuit, Dual Output

1986 Volvo 760

For x

Copyright © 1998 Mitchell Repair Information Company, LLC

Friday, July 23, 2004 07:56PM



SYSTEM WIRING DIAGRAMS

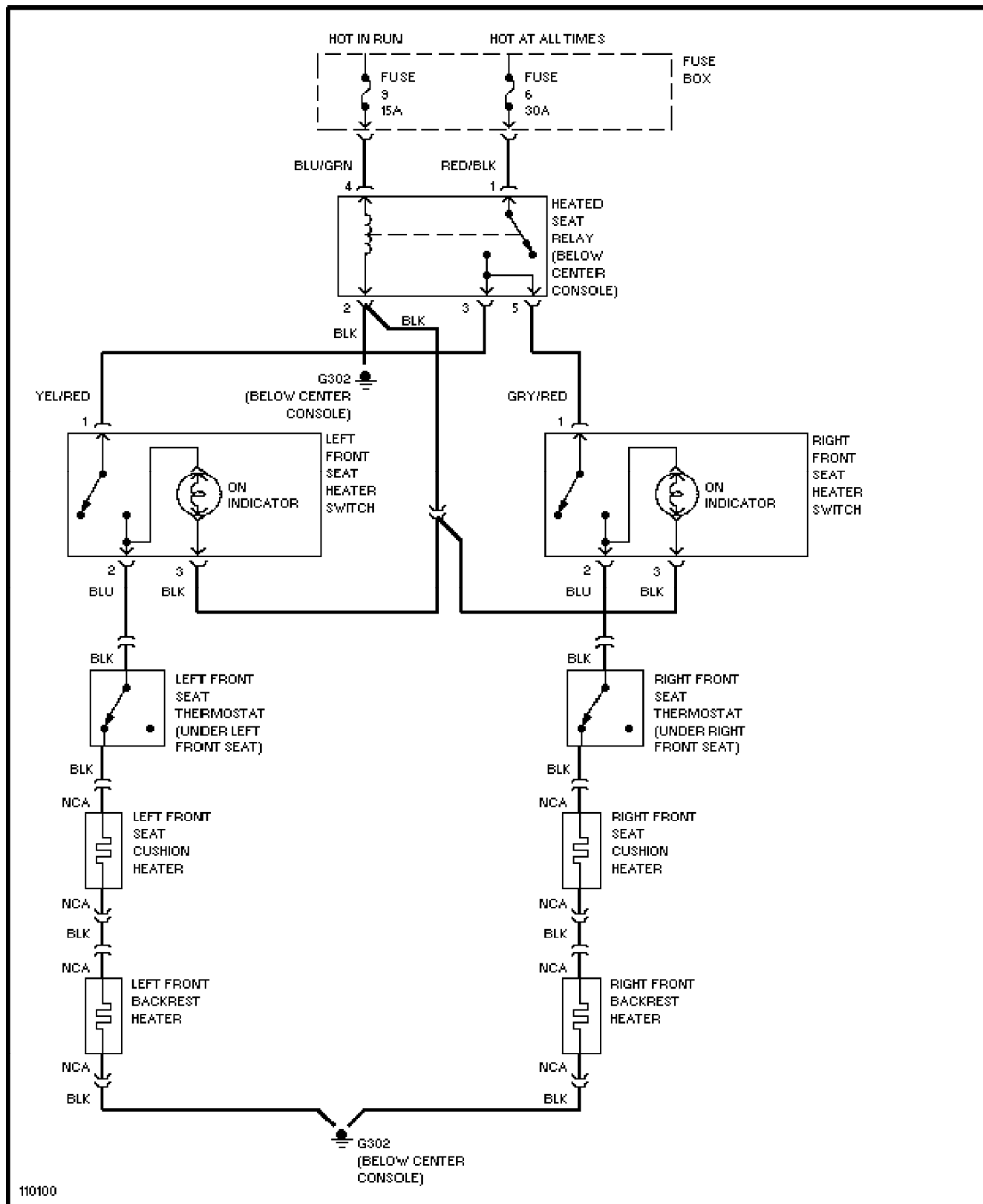
Heated Seats Circuit, Single Output

1986 Volvo 760

For x

Copyright © 1998 Mitchell Repair Information Company, LLC

Friday, July 23, 2004 07:56PM



SYSTEM WIRING DIAGRAMS

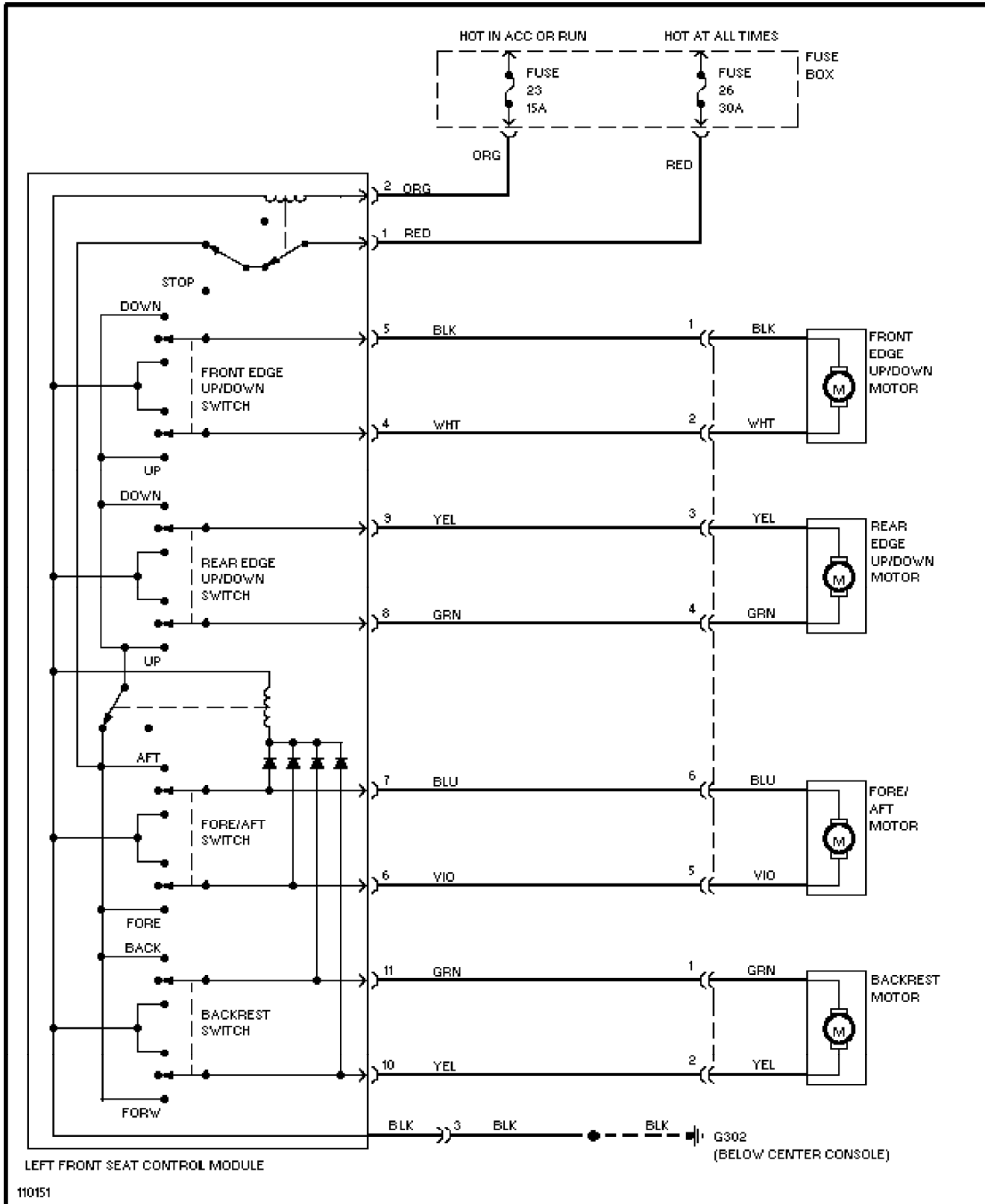
Power Seat Circuit

1986 Volvo 760

For x

Copyright © 1998 Mitchell Repair Information Company, LLC

Friday, July 23, 2004 07:56PM



SYSTEM WIRING DIAGRAMS

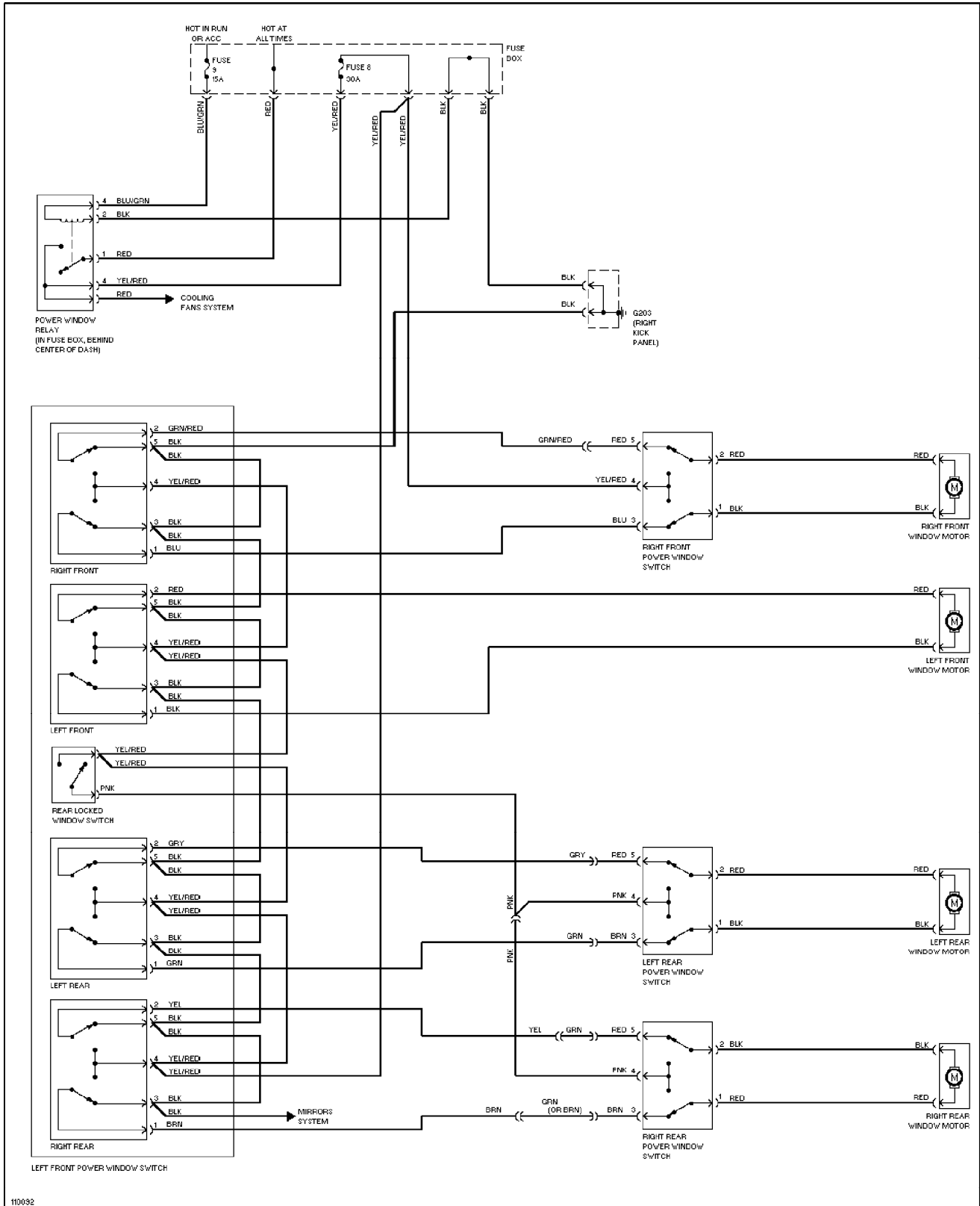
Power Window Circuit

1986 Volvo 760

For x

Copyright © 1998 Mitchell Repair Information Company, LLC

Friday, July 23, 2004 07:56PM



SYSTEM WIRING DIAGRAMS

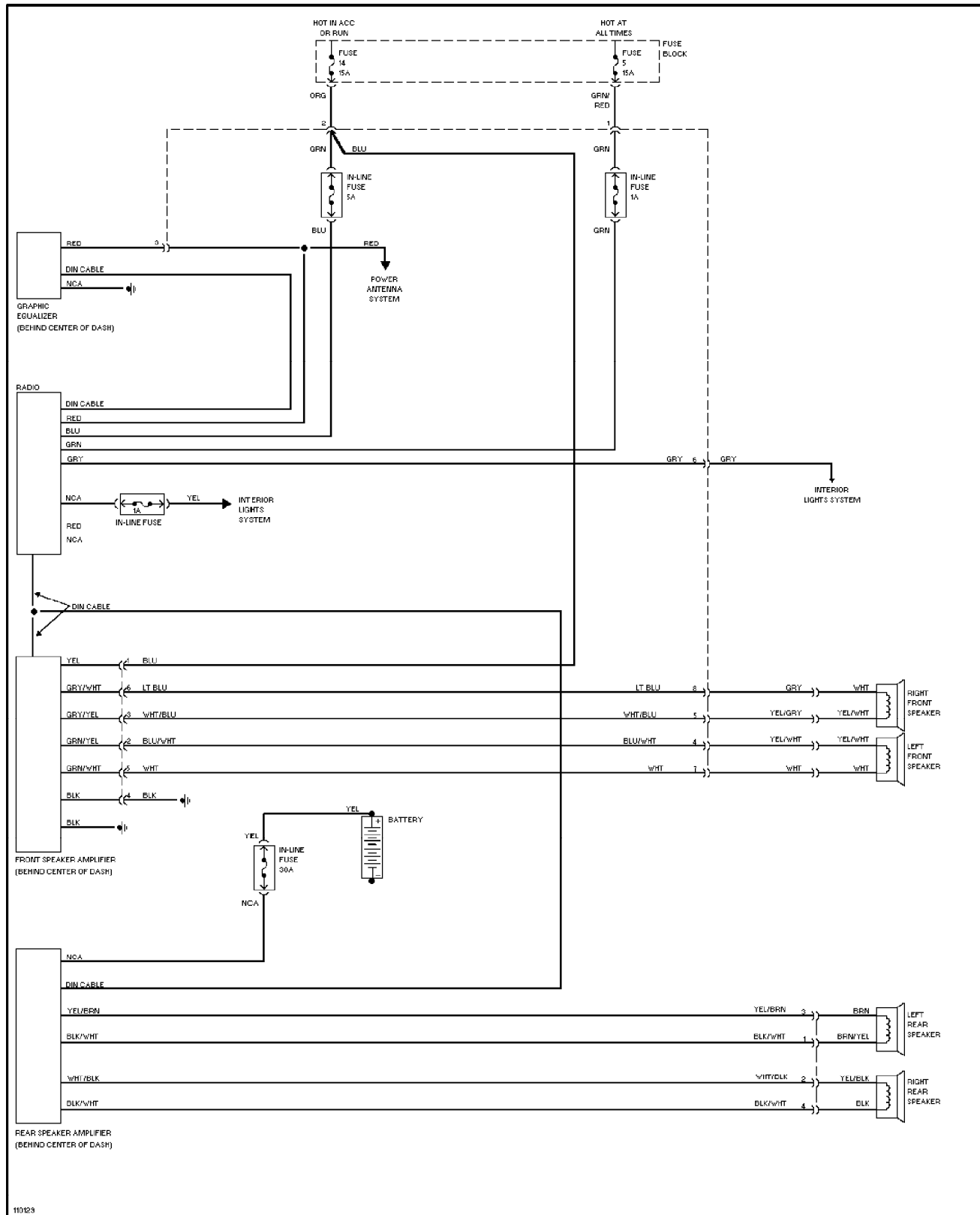
Radio Circuits

1986 Volvo 760

For x

Copyright © 1998 Mitchell Repair Information Company, LLC

Friday, July 23, 2004 07:56PM



SYSTEM WIRING DIAGRAMS

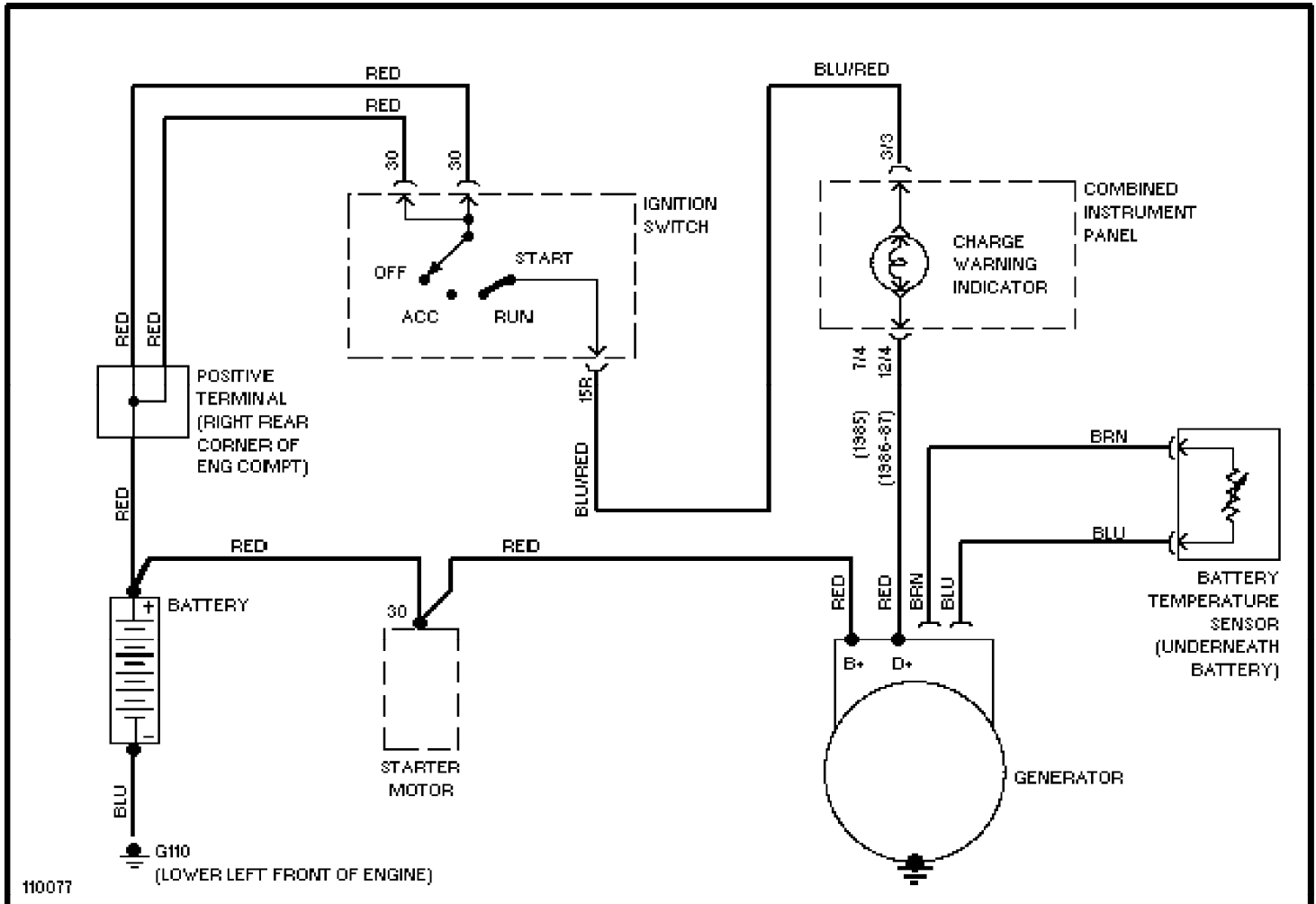
Charging Circuit

1986 Volvo 760

For x

Copyright © 1998 Mitchell Repair Information Company, LLC

Friday, July 23, 2004 07:56PM



WIRING DIAGRAMS

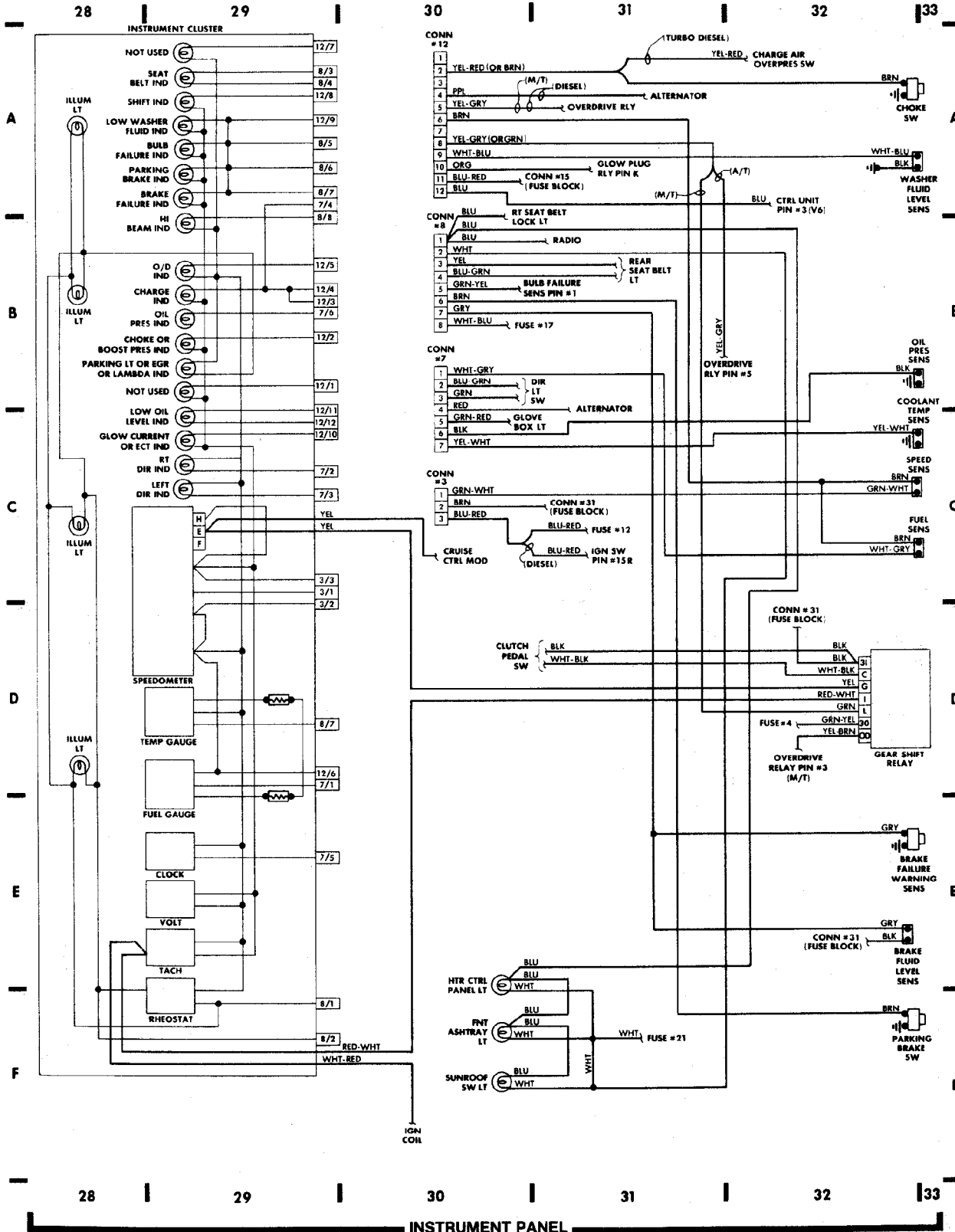
Fig. 7: Instrument Panel (Grids 28-33)

1986 Volvo 760

For x

Copyright © 1998 Mitchell Repair Information Company, LLC

Friday, July 23, 2004 07:58PM



WIRING DIAGRAMS

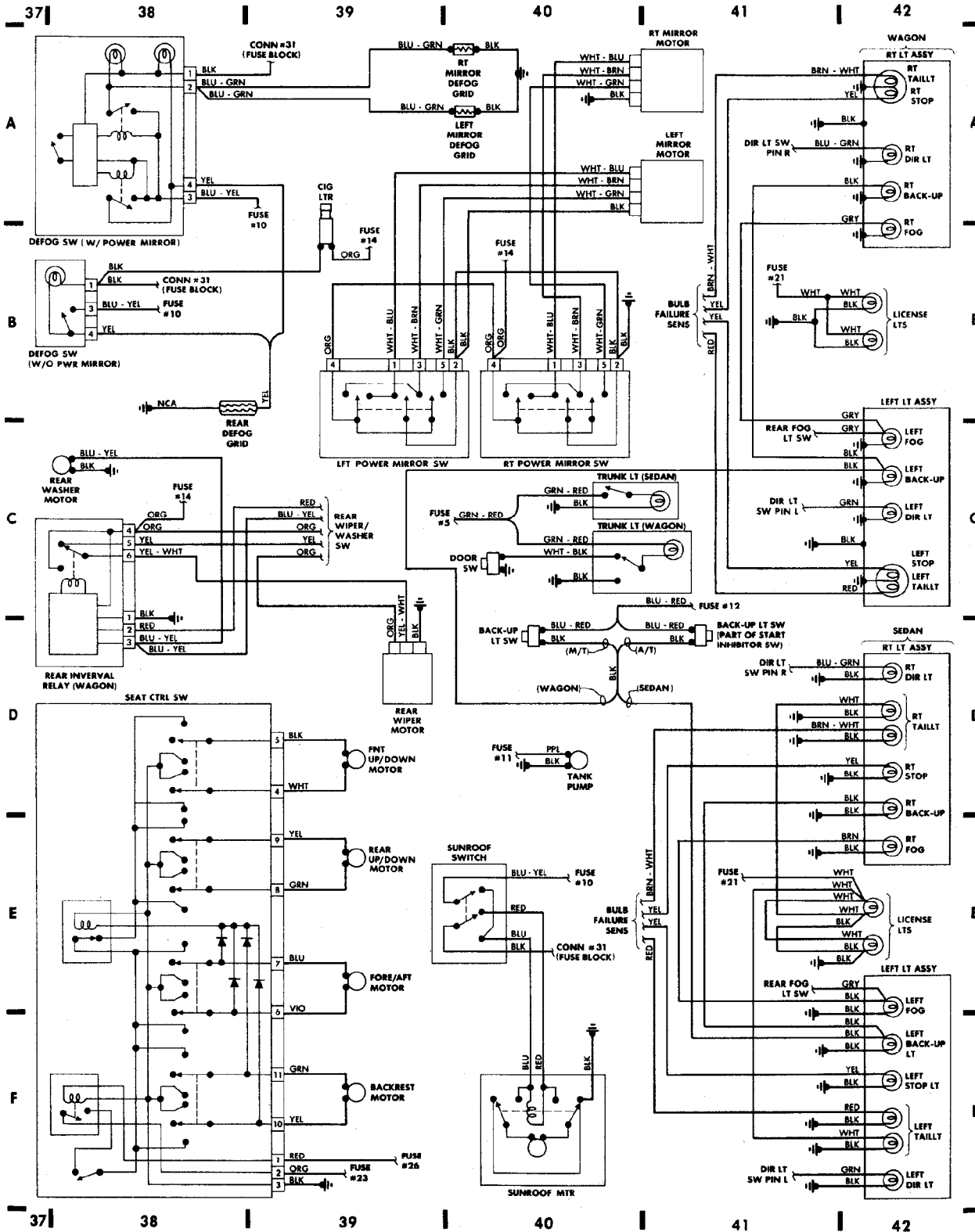
Fig. 9: Rear Compartment & Accessories (Cont.) (Grids 37-42)

1986 Volvo 760

For x

Copyright © 1998 Mitchell Repair Information Company, LLC

Friday, July 23, 2004 07:58PM



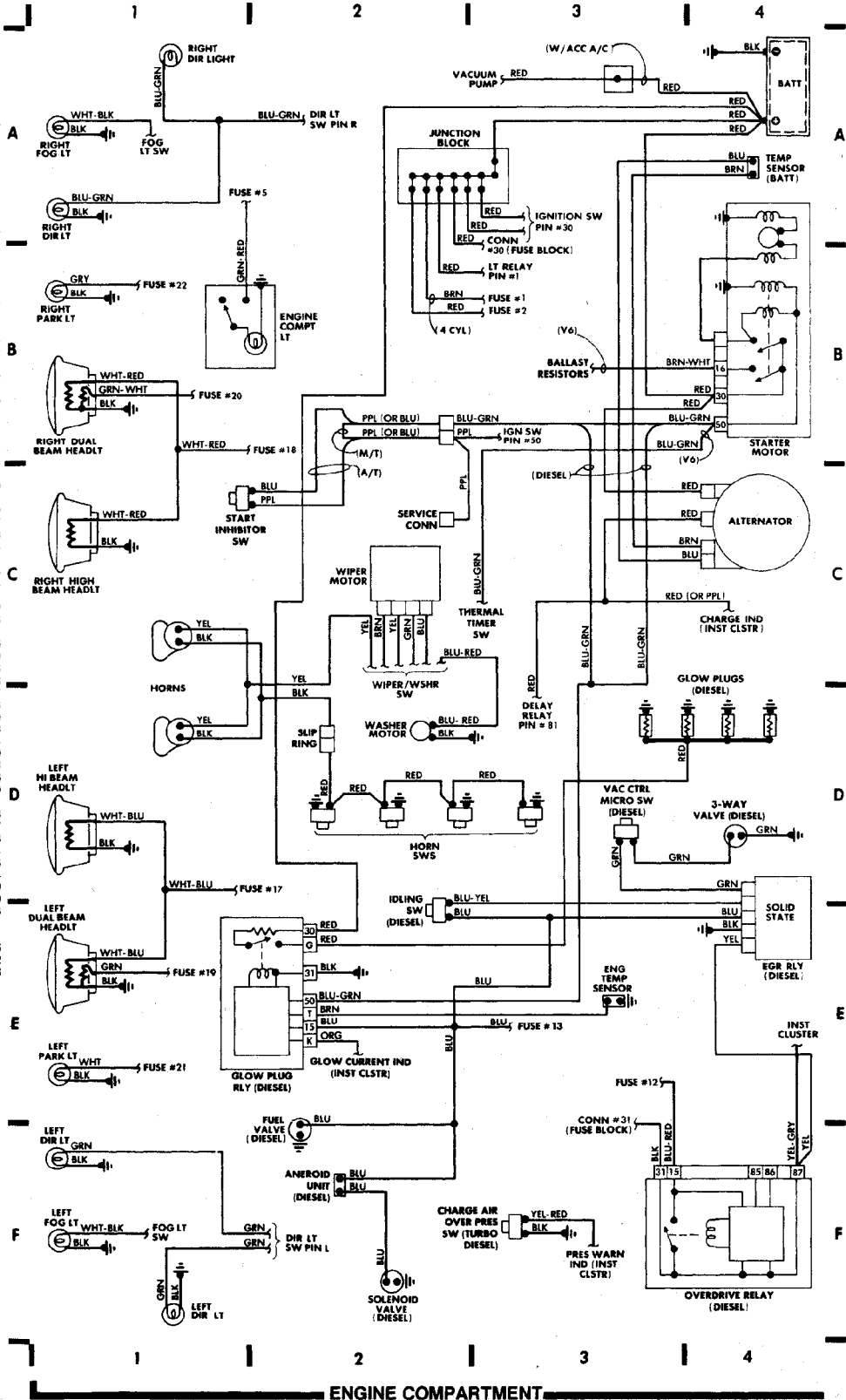
WIRING DIAGRAMS

Fig. 1: Engine Compartment (Grids 1-4)

1986 Volvo 760
For x
Copyright © 1998 Mitchell Repair Information Company, LLC
Friday, July 23, 2004 07:57PM

COMPONENT LOCATOR:

| | |
|--|------------|
| A/C COMPENSATION SOL | B 21 |
| AIR CTRL VALVE | C 13 |
| ALTERNATOR | C 4 |
| BACK-UP LT SWITCH | D 40-41 |
| BALLAST RESISTOR | E 12 |
| BATTERY | A 4 |
| BRAKE FLUID LEVEL SENS | E 32 |
| BRAKE LT SWITCH | D 23 |
| CHARGE AIR OVERPRES SW (TURBO DIESEL) | F 3 |
| CHIME MODULE | A 23 |
| CIG LTR | A 39 |
| CLUTCH PEDAL SWITCH | C 23 |
| COURTESY LT ASSY | C-D 23-24 |
| CRUISE CTRL MOD | B 23 |
| CTRL UNIT | E 13 |
| DEFOG SWITCH | A-B 38 |
| DELAY RLY (ACC) | F 19 |
| DELAY RLY (STD) | D-E 23 |
| DIR LT SWITCH | A-C 23-24 |
| DOOR LTS | D 25 |
| ENG COMPT LT | B 1 |
| FLASHER RLY | A 26 |
| FNT ASHTRAY LT | F 30 |
| FOG LT RLY | F 28 |
| FUEL PUMP (4 CYL) | E 9 |
| FUEL PUMP (V6) | D 13 |
| FUEL PUMP RLY (4 CYL) | A-B 9 |
| FUEL PUMP RLY (V6) | B 9 |
| FUSE BLOCK | B-E 15-17 |
| GEAR SHIFT RLY | D 32 |
| GLOVE BOX LT | E 25 |
| GLOW PLUG RLY | E 1-2 |
| HEATED SEAT RLY | C 37 |
| HEATER CTRL (STD) | D 19 |
| IDLE SPD CTRL UNIT | A-B 13 |
| IGN ADVANCE RLY | C 19 |
| IGN COIL (4 CYL) | F 7 |
| IGN COIL (V6) | F 13 |
| IGN SWITCH | F 14 |
| IGN SYS CTRL UNIT (4 CYL) | E-F 4-5 |
| IMPULSE RLY | C 13 |
| INHIBITOR SWITCH | C 1 |
| INST CLSTR | A-F 28-29 |
| INTERVAL RLY | D 28 |
| JETRONIC CTRL MOD (4 CYL) | A-B 4-5 |
| LAMBDA SOND RLY | C 9 |
| LEFT FNT WDO SW | E-F 23 |
| LIGHT SWITCH | A-B 26 |
| LOCKING RLY | D-E 37 |
| LT RELAY | B-C 28 |
| MICRO SWITCH | E 9 |
| OVERDRIVE RLY (A/T) | A 23 |
| OVERDRIVE RLY (DIESEL) | F 4 |
| OVERDRIVE RLY (M/T) | A 19 |
| POWER ANTENNA MTR | D 33 |
| PROGRAMMER (ACC) | F 23 |
| PWR WDO/COLANT FAN RLY | B 19 |
| REAR WIPER/WASHER SW (WAGON) | D-E 28 |
| RT FNT WDO SW | E 37 |
| SEAT CTRL SWITCH | D-F 38 |
| SEAT BELT LOCK LT | D 34 |
| SEAT THERMOSTAT | B 34, B 36 |
| STARTER MOTOR | B 4 |
| SUNROOF SWITCH | E 40 |
| TANK PUMP | D 40 |
| THERMAL TIMER SW | D 13 |
| TRUNK LIGHT | C 40-41 |
| VACUUM PUMP | F 21 |
| VANITY MIRROR | E 26 |
| WIPER MOTOR | C 2 |
| WIPER/WASHER SWITCH | C 28 |



WIRING DIAGRAMS

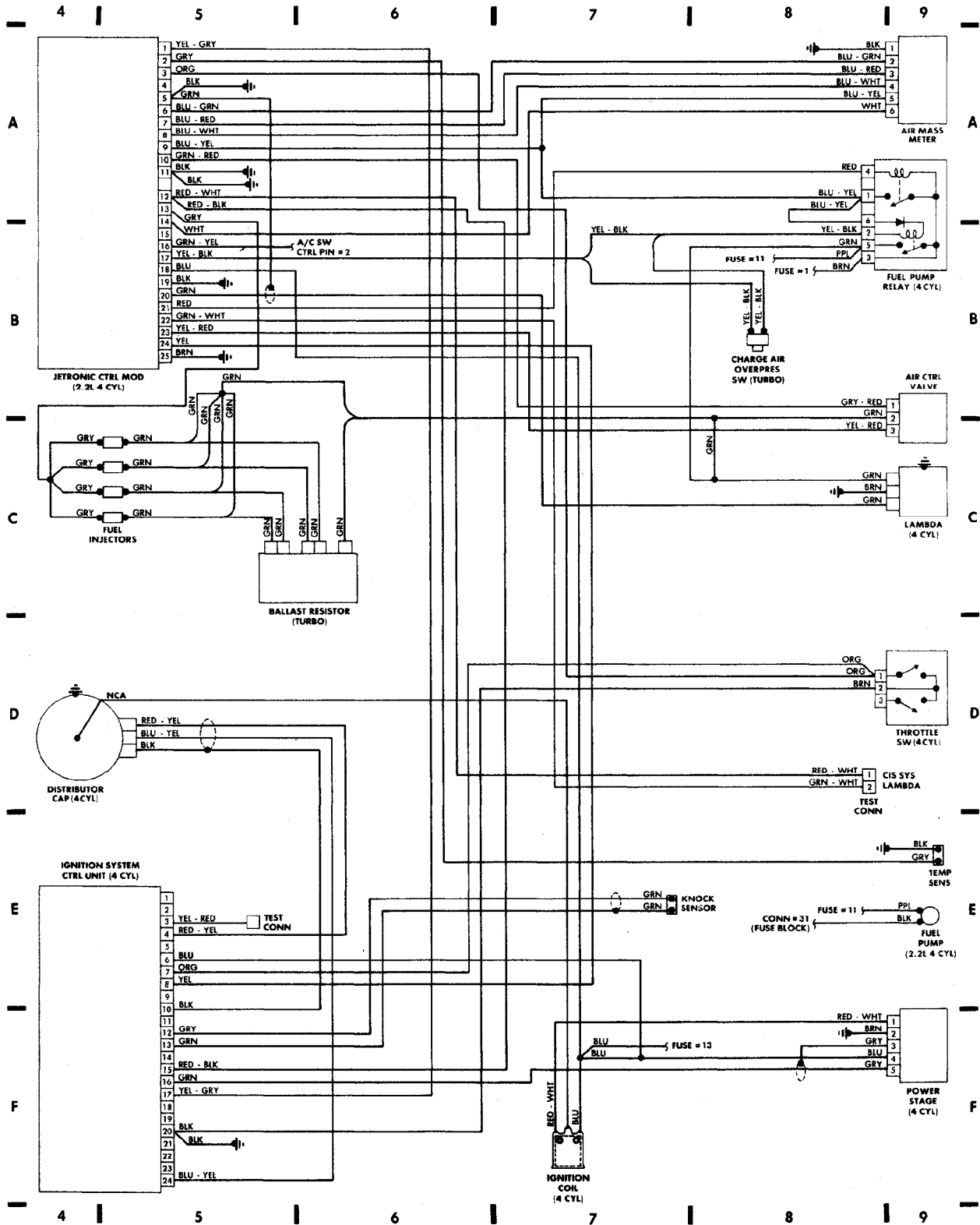
Fig. 2: Engine Compartment (Cont.) (Grids 4-9)

1986 Volvo 760

For x

Copyright © 1998 Mitchell Repair Information Company, LLC

Friday, July 23, 2004 07:57PM



WIRING DIAGRAMS

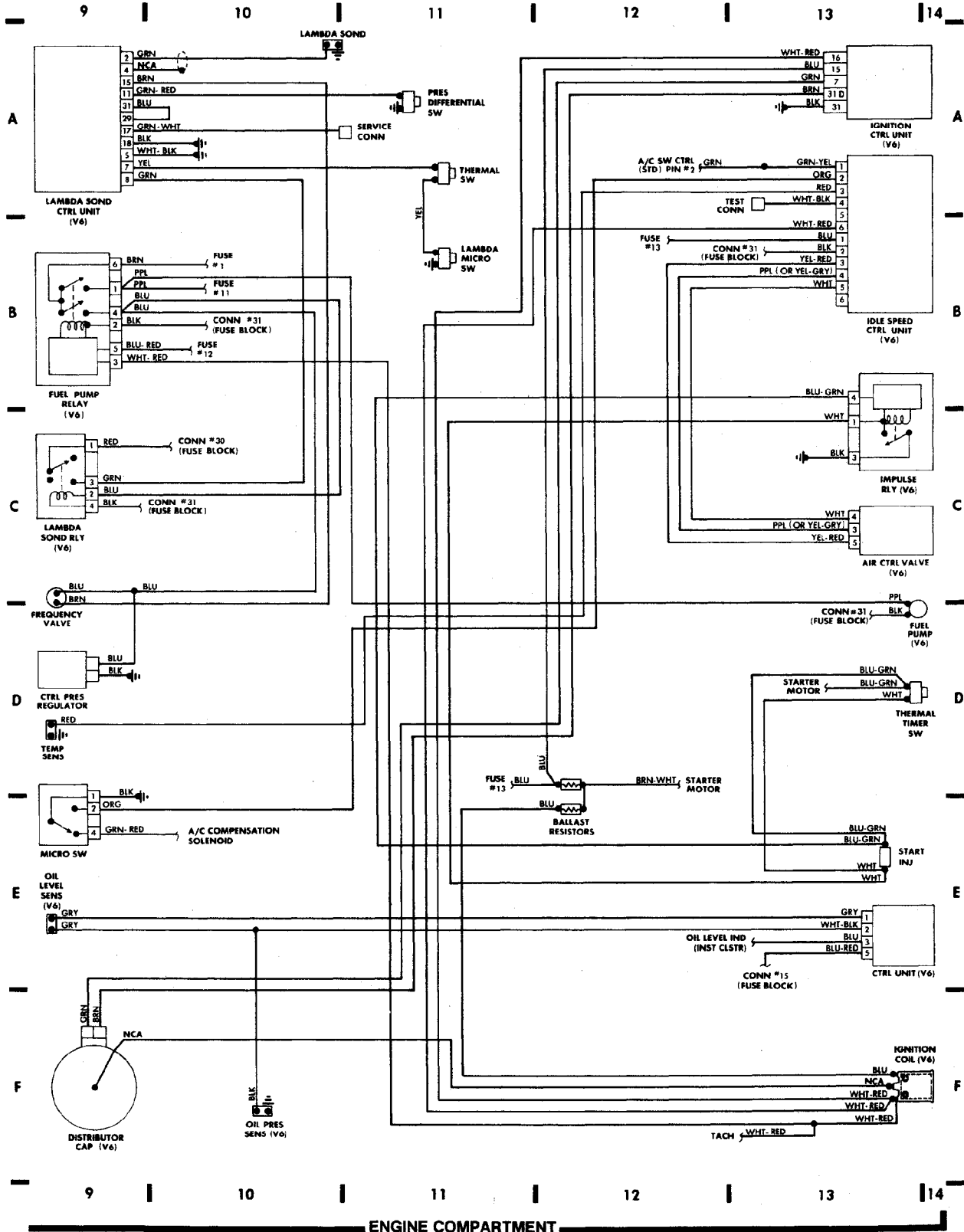
Fig. 3: Engine Compartment (Cont.) (Grids 9-14)

1986 Volvo 760

For x

Copyright © 1998 Mitchell Repair Information Company, LLC

Friday, July 23, 2004 07:57PM



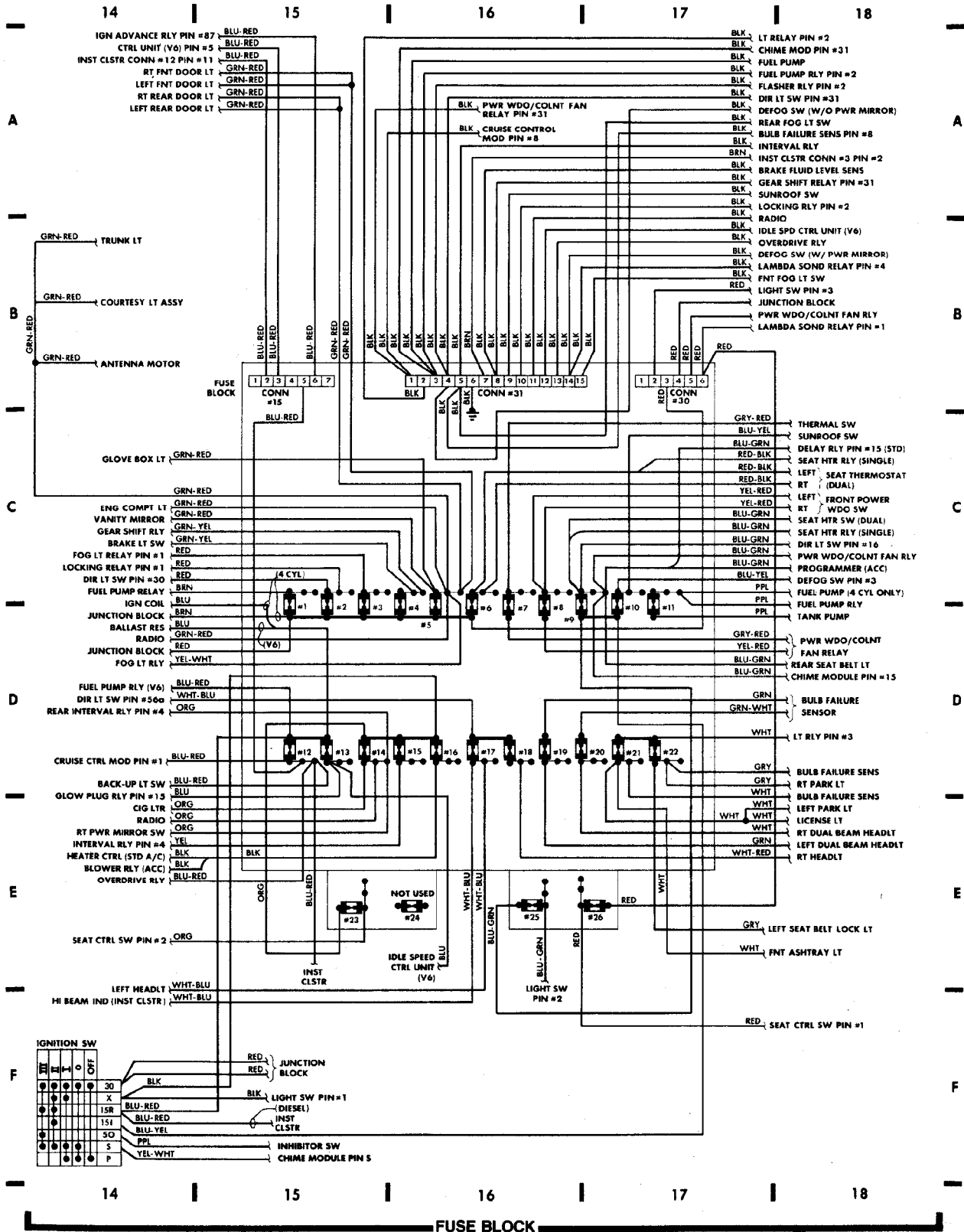
WIRING DIAGRAMS

Fig. 4: Fuse Block (Grids 14-18)

1986 Volvo 760

For x

Copyright © 1998 Mitchell Repair Information Company, LLC
Friday, July 23, 2004 07:57PM



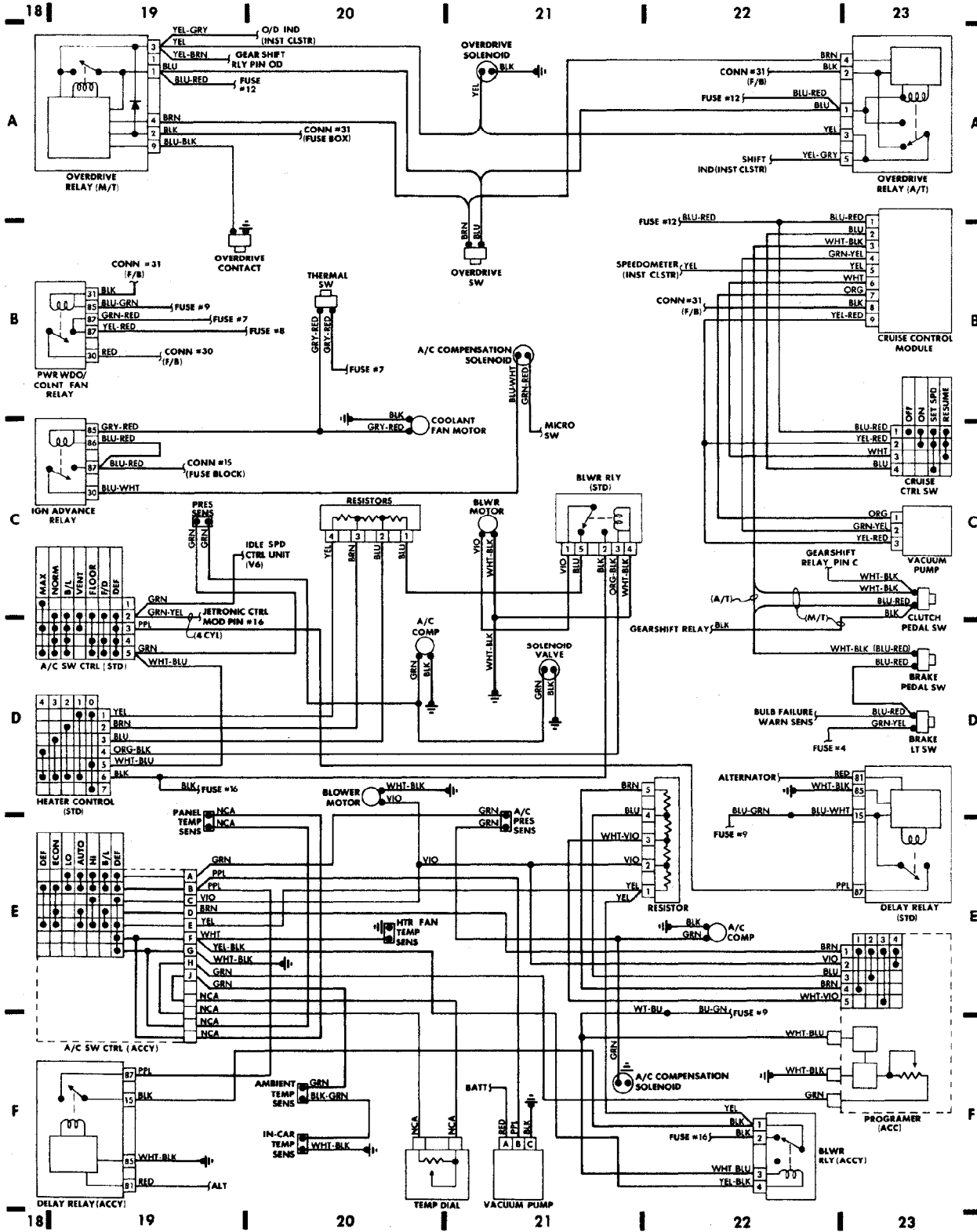
WIRING DIAGRAMS

Fig. 5: Underdash (Grids 18-23)

1986 Volvo 760

For x

Copyright © 1998 Mitchell Repair Information Company, LLC
Friday, July 23, 2004 07:57PM



WIRING DIAGRAMS

Fig. 6: Underdash (Cont.) (Grids 23-28)

1986 Volvo 760

For x

Copyright © 1998 Mitchell Repair Information Company, LLC

Friday, July 23, 2004 07:58PM

