

WIRING DIAGRAMS

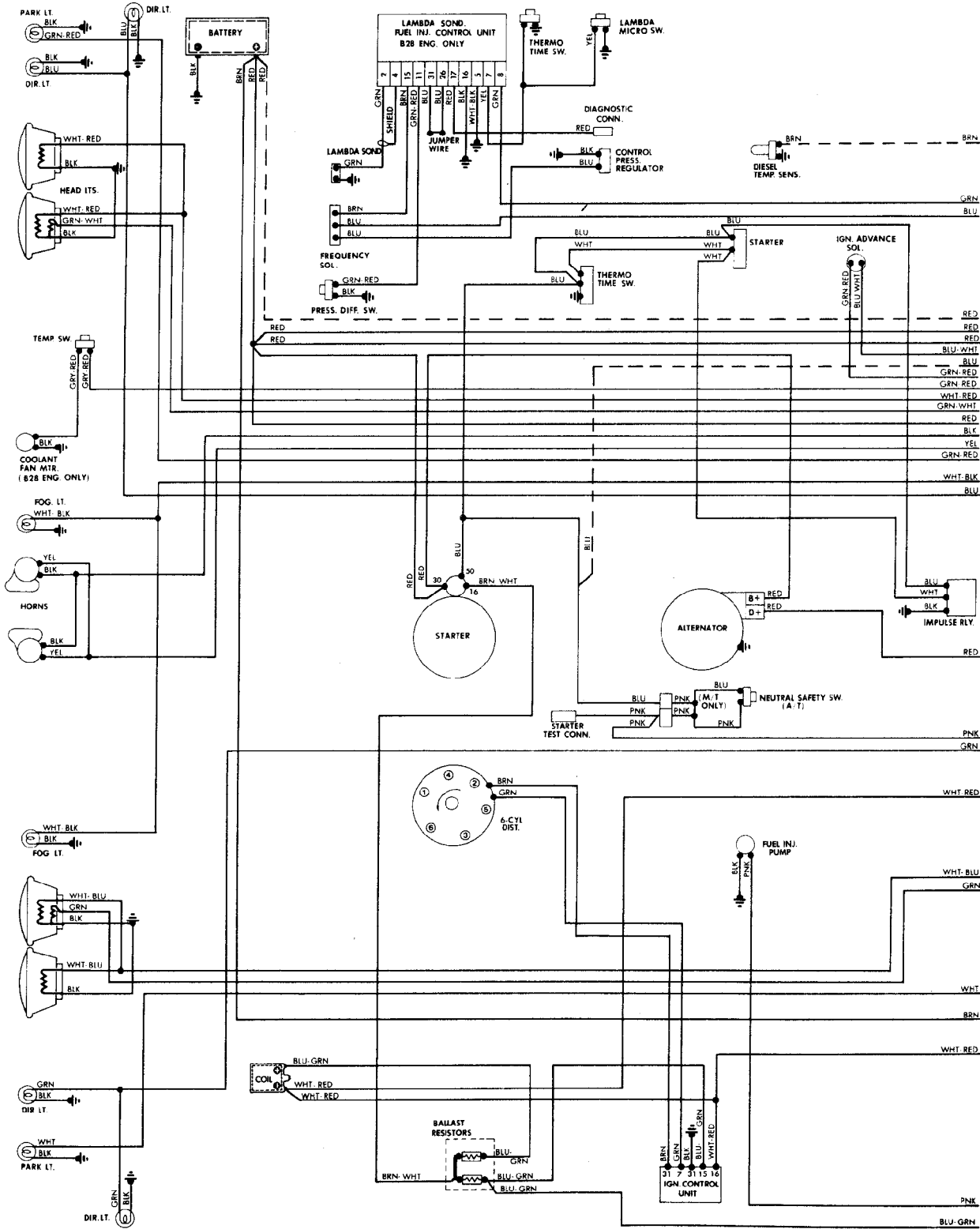
Fig. 1: Engine Compartment

1983 Volvo 760

For x

Copyright © 1998 Mitchell Repair Information Company, LLC

Saturday, July 17, 2004 04:34PM



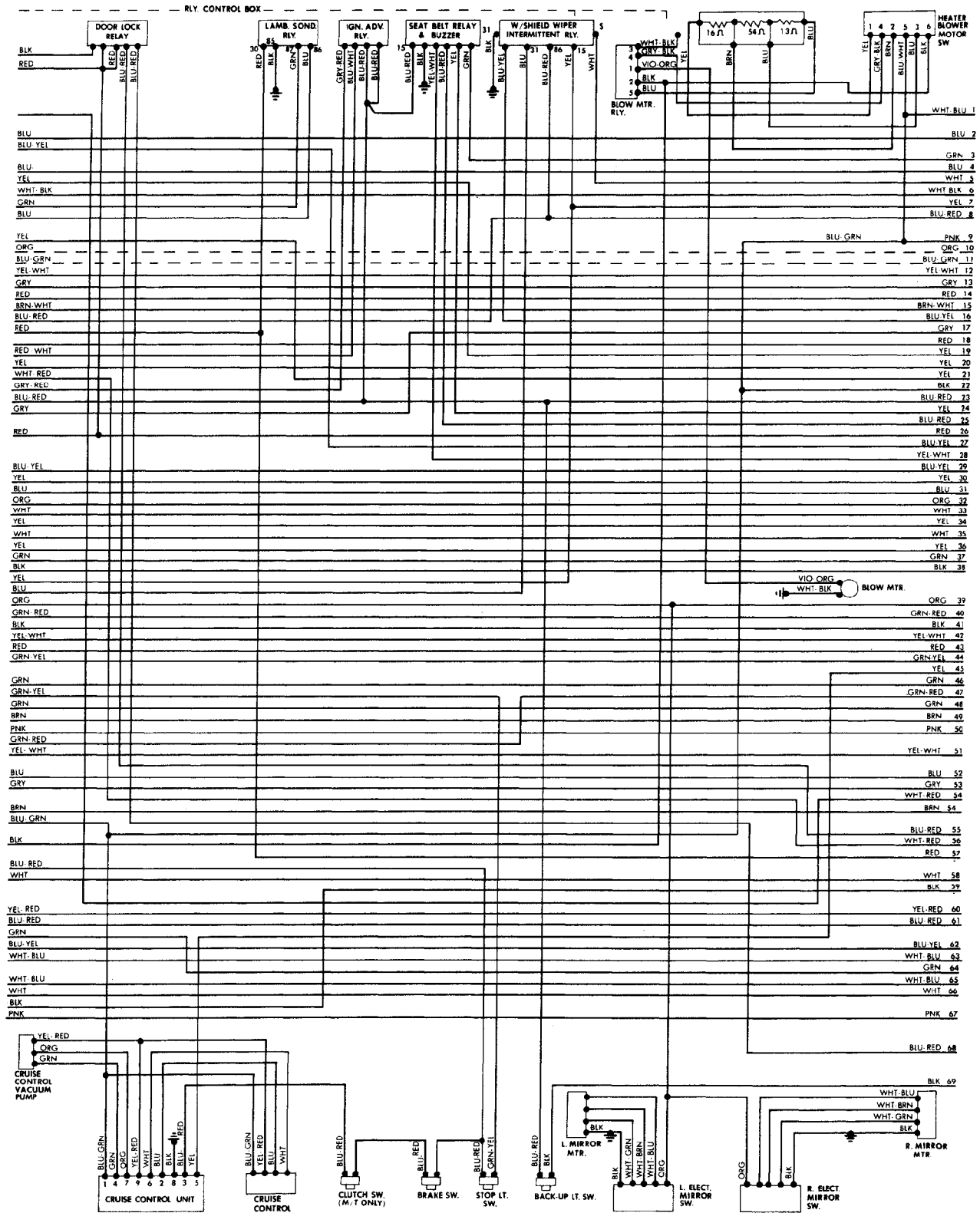
WIRING DIAGRAMS

Fig. 4: Underdash (Cont.)

1983 Volvo 760

For x

Copyright © 1998 Mitchell Repair Information Company, LLC
Saturday, July 17, 2004 04:34PM

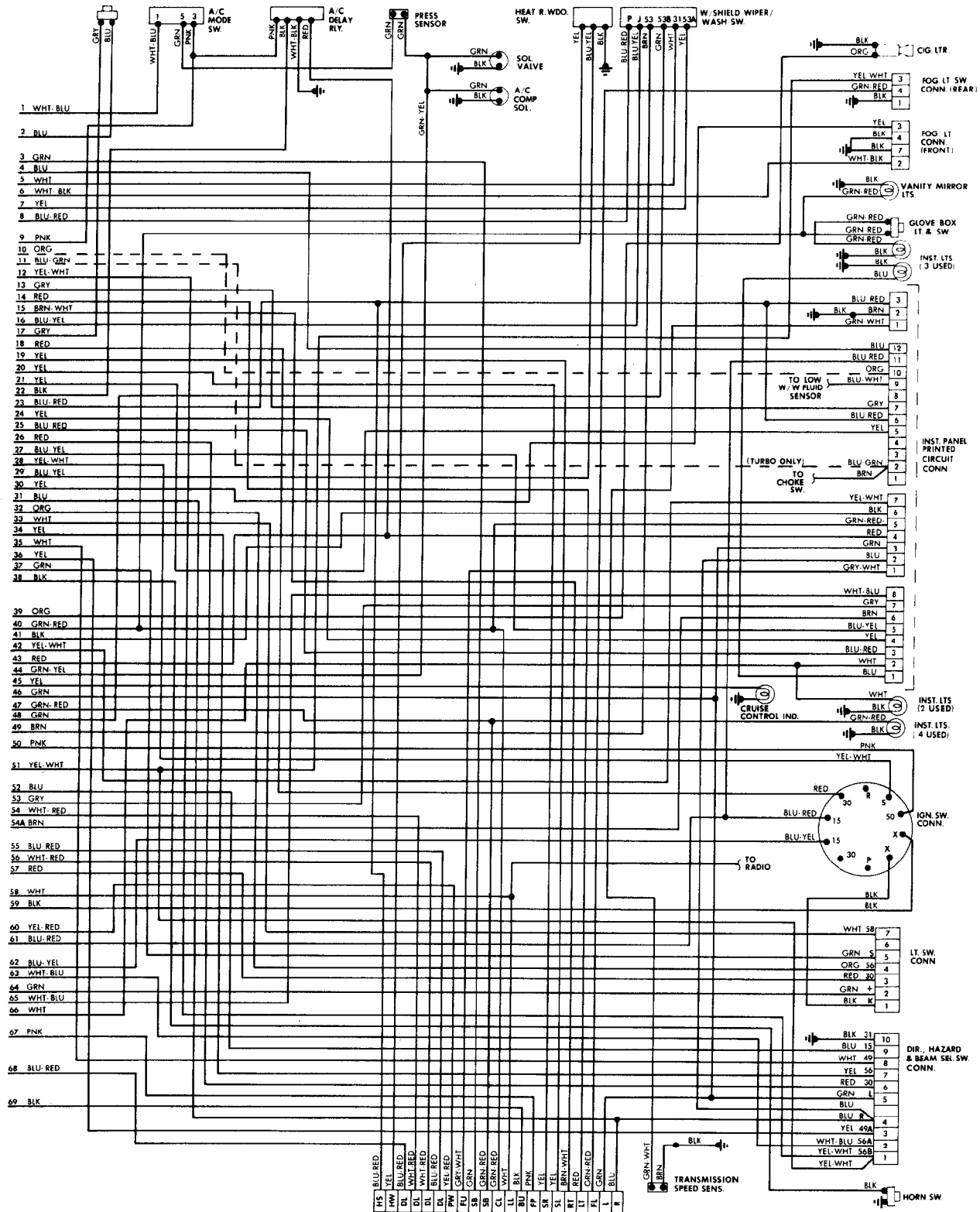


WIRING DIAGRAMS

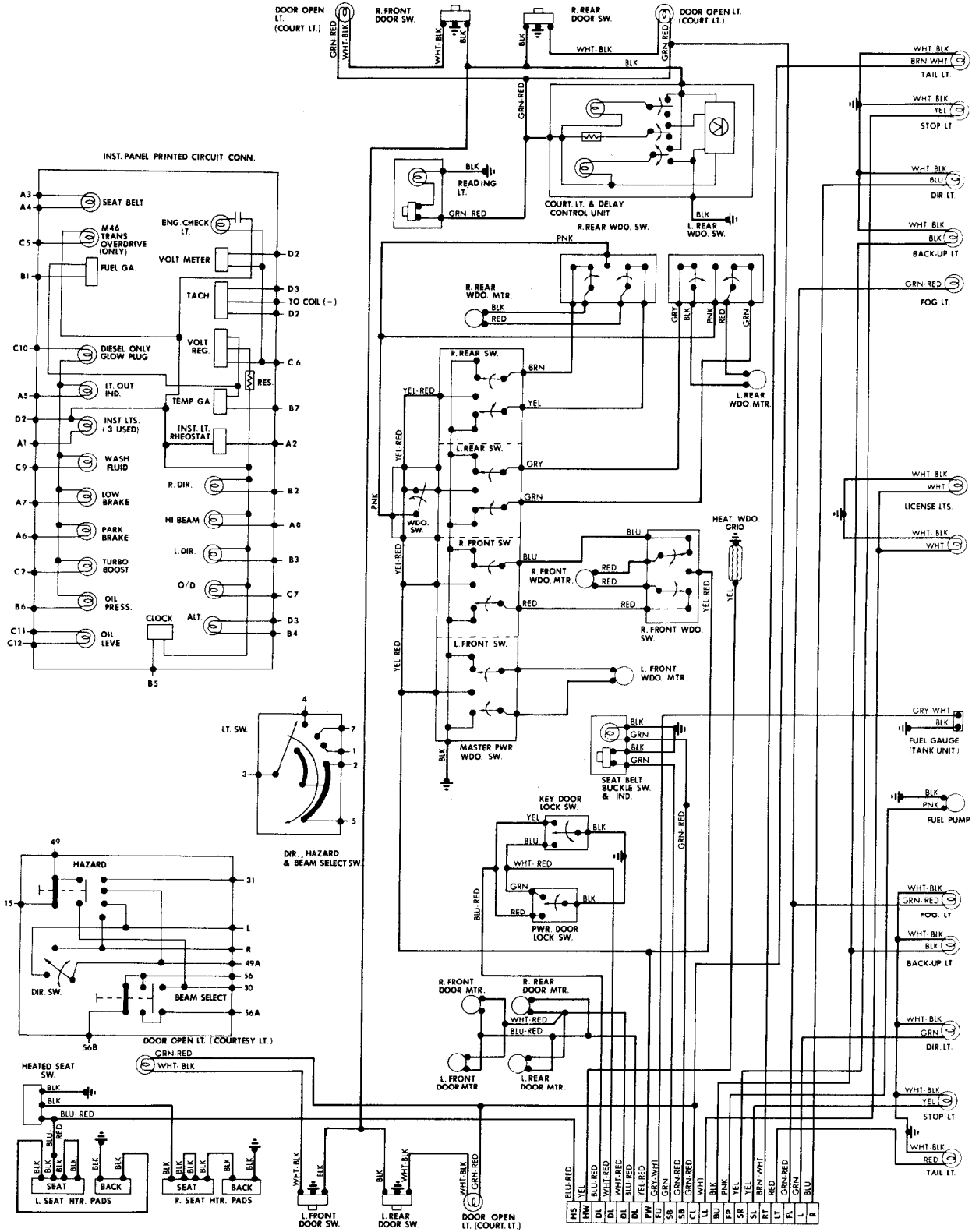
Fig. 5: Underdash (Cont.) & Instrument Panel

1983 Volvo 760

For x
Copyright © 1998 Mitchell Repair Information Company, LLC
Saturday, July 17, 2004 04:34PM



WIRING DIAGRAMS
Fig. 6: Rear Compartment & Accessories
 1983 Volvo 760
 For x
 Copyright © 1998 Mitchell Repair Information Company, LLC
 Saturday, July 17, 2004 04:34PM



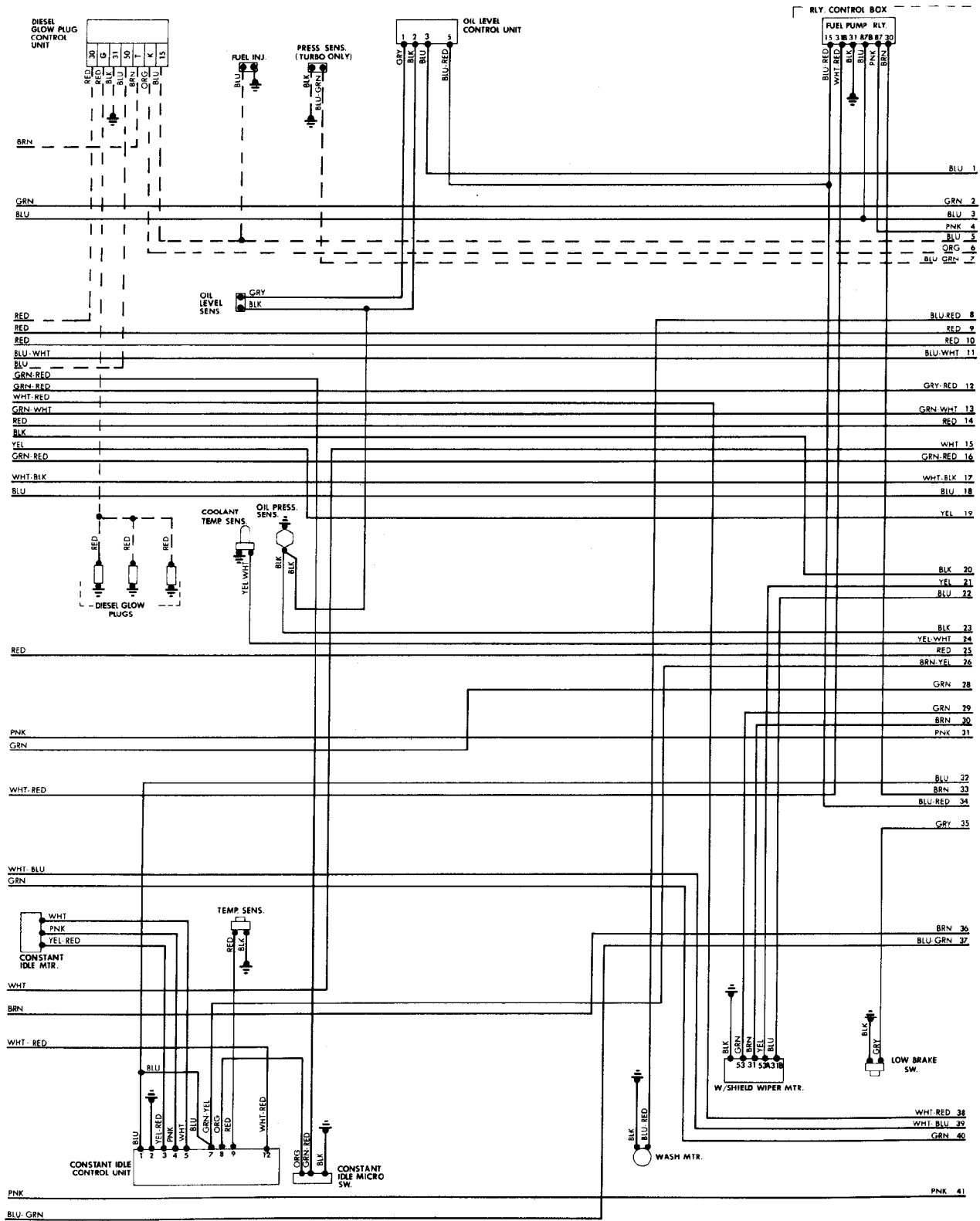
WIRING DIAGRAMS

Fig. 2: Engine Compartment (Cont.)

1983 Volvo 760

For x

Copyright © 1998 Mitchell Repair Information Company, LLC
Saturday, July 17, 2004 04:34PM



WIRING DIAGRAMS

Fig. 3: Fuse Block & Underdash

1983 Volvo 760

For x

Copyright © 1998 Mitchell Repair Information Company, LLC
Saturday, July 17, 2004 04:34PM

